

## FINE PROTECTION ELEMENTS



ISO10200

### SCHRACK INFO

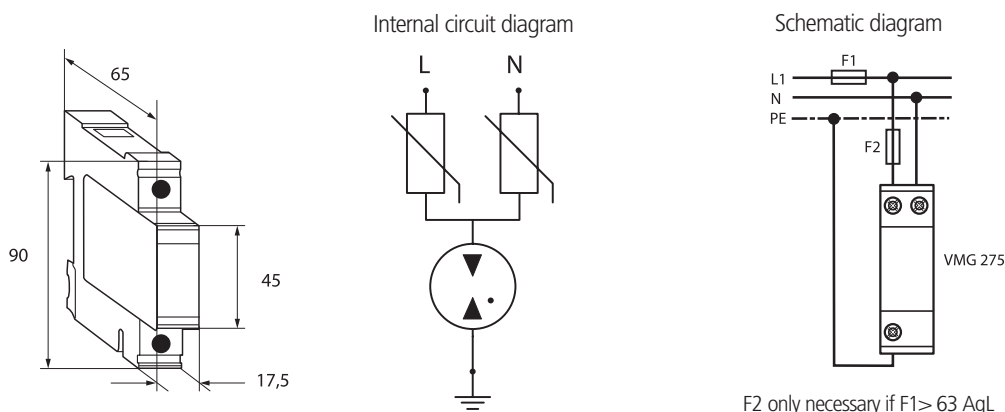
Schrack rail-mounted fine protection element (T3) for indoor mounting for the protection of single-phase consumer systems against transient overvoltages. With two protection paths in 1 MW, this Schrack fine protection element is ideal for space-saving installation in small distribution boxes or other DIN rail enclosures. The plug-in design allows easy replacement of the module in case of any overloading of the arrester.

### TECHNICAL DATA

	VMG 275
SPD continuous voltage $U_c$	275 V <sub>AC</sub>
Nominal discharge current $I_n$ (8/20)	3 kA / Pol
$U_{oc}$ (1.2/50)	6 kV / Pol
Protection level $U_p$ (la $I_n$ )	≤0,9 kV
Response time $t_a$	<100 ns
Max. permissible ambient temperature	-40 °C ...+80 °C
Degree of protection open/installed	IP20 / 40
Max. permissible back-up fuse	63 A
Max. terminal cross-section	L, N = 6 mm <sup>2</sup> ; PE = 25/35 mm <sup>2</sup>
Auxiliary switch (optional)	250 V <sub>AC</sub> / 0,5 A; max. 1.5 mm <sup>2</sup>

Page  
276

### DIMENSIONS AND CIRCUIT DIAGRAMS



DESCRIPTION	MW	ARRESTER CLASS	$U_c$	EAN CODE	AVAILABLE	ORDER NO.
D-arr. module 3 kA, VMG	1	TIII (D)	275 VAC	9004840250657		<b>ISO10200</b>
Base 1-pole for VMG / VEPG	1			9004840250664		<b>ISO10201</b>
Base 1-pole + aux. contact for VMG / VEPG	1			9004840250671		<b>ISO10202</b>

## FINE PROTECTION ELEMENTS – FLUSH-MOUNTED BOX AND ADAPTER PLUG



IS211450/IS010002/IS010003

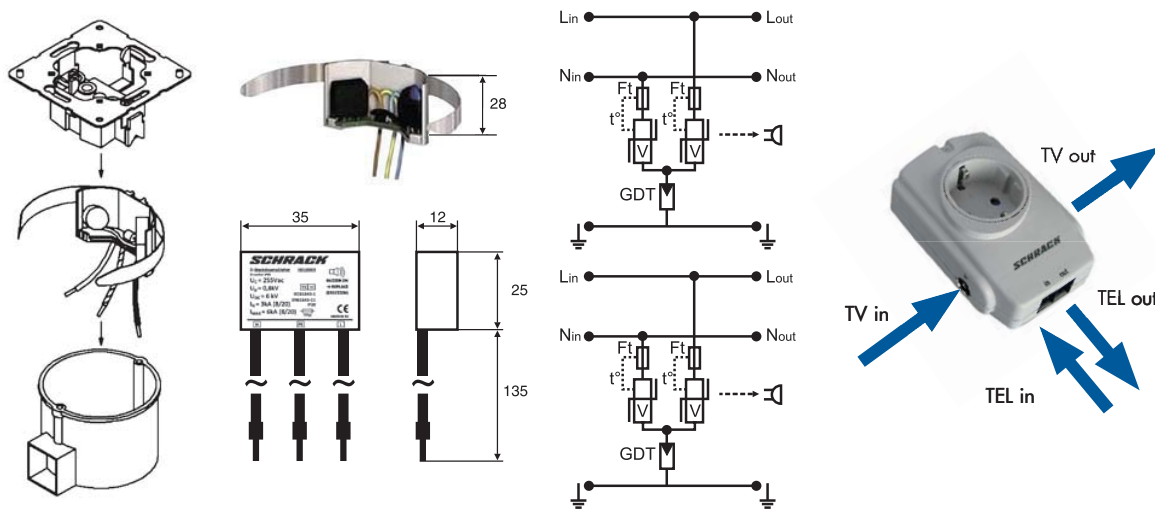
### SCHRACK INFO

Schrack fine protection elements for flush-mounted boxes are suitable for installation of new and retrofitting existing earthed socket outlets. Through-wiring in the ISO10002 enables the connection of additional socket outlets. In case of overload, the built-in signal transmitter signals a defective device. The power supply of end devices is maintained. The Schrack fine protection adapter plug is ideal for retrofitting a test class 3 arrester for sensitive end devices. The combined protection of power lines and data lines with F-port (TV aerial) or telephone line connection (RJ11) protects all important feed lines to TV set or phone line. Installation always in combination with Protec, Combtec or Vartec arresters!

### TECHNICAL DATA

	Flush-mounted box SPD		Adapter plug
	ISO10002	ISO10003	IS211450
Validated according to	Test class III (D) IEC61643-1/EN 61643-11		
Through-wiring	YES	NO	NO
Max. continuous voltage $U_c$	255 V <sub>AC</sub>		275 V <sub>AC</sub>
Combined surge $U_{oc}/I_{sc}$	4 kV / 2.5 kA	6 kV / 3 kA	6 kV / 3 kA
Max. input power	-	-	3500 VA
Protection level $U_p$ (la I-/L-N)	<0.9 kV	<0.8 kV	<1.25 kV
Max. back-up fuse	16 AgL/gG		
Temperature range	-0 °C - + 40 °C		
Terminal cross-section	2,5 <sup>2</sup>	1,5 <sup>2</sup>	-
Signalling	Buzzer	Buzzer	LED display
Child safety lock	-	-	YES

### MOUNTING / DIMENSIONS / SCHEMATIC MOUNTING – FLUSH-MOUNTED BOX



DESCRIPTION	ARRESTER CLASS	$U_c$	EAN CODE	AVAILABLE	ORDER NO.
Adapter plug 230 VAC /16A	TIII (D)	275 V AC	9004840585919		<b>IS211450</b>
D-Base outlet arrester 2.5 kA, through-wiring	TIII (D)	255 V AC	9004840255911		<b>IS010002</b>
D-Base outlet arrester 2.5 kA	TIII (D)	255 V AC	9004840532432		<b>IS010003</b>

