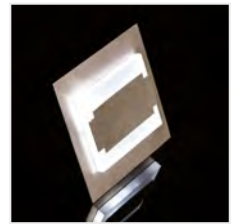
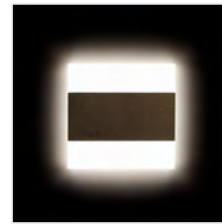
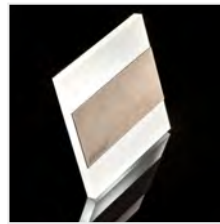
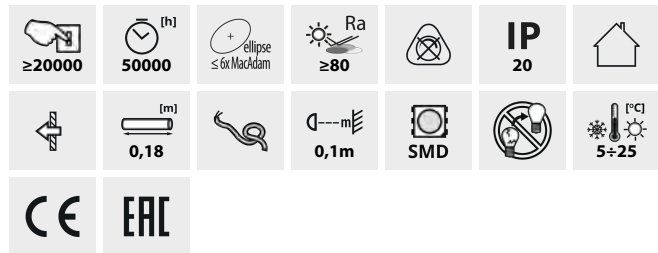


Staircase LED light fitting



TERRA LED; TERRA LED AC

		[V]	[W]		[lm]	Tc [K]
TERRA LED WW	23102	12 DC	0,8	stainless steel	13	3000
TERRA MINI LED WW	23103	12 DC	0,8	stainless steel	13	3000
TERRA LED CW	23104	12 DC	0,8	stainless steel	15	6500
TERRA MINI LED CW	23105	12 DC	0,8	stainless steel	15	6500
TERRA LED AC-WW	23806	220-240 AC	1,3	stainless steel	13	3000
TERRA LED AC-CW	23807	220-240 AC	1,3	stainless steel	15	6500
TERRA LED W-WW	26842	12 DC	0,8	white	13	3000
TERRA LED W-CW	26843	12 DC	0,8	white	15	6500
TERRA LED AC B-NW	26846	220-240 AC	1,3	black	14	4000
TERRA LED AC B-WW	26847	220-240 AC	1,3	black	13	3000
TERRA LED B-NW	26848	12 DC	0,8	black	14	4000
TERRA LED B-WW	26849	12 DC	0,8	black	13	3000
TERRA LED PIR WW	27372	12 DC	0,8	stainless steel	13	3000
TERRA LED PIR CW	27373	12 DC	0,8	stainless steel	15	6500



Kanlux TERRA means modern design combined with an attractive effect of lighting. It is a perfect idea to highlight stairs and corridors or to emphasize decor of rooms. The unique structure of the holders ensures even emission of light. The AC version is equipped with 230V power supply unit which fits into a box and the PIR version is equipped with a motion sensor. The sensor detects movement / turns lights on regardless of the ambient light intensity.

TERRA

Staircase LED light fitting

- the fitting is suitable for mounting in Ø 60 junction boxes.
- Enclosure material: polished stainless steel, plastic



TERRA MINI LED



TERRA LED



TERRA LED W

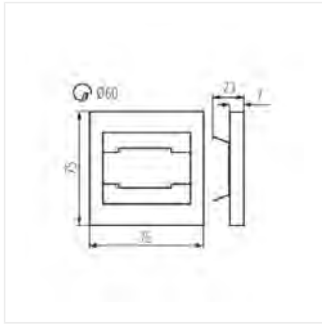


TERRA LED B

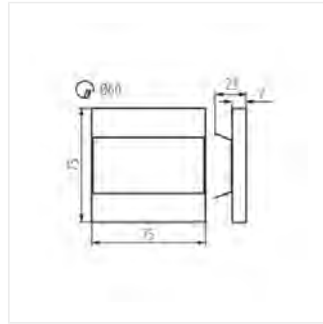


TERRA LED PIR

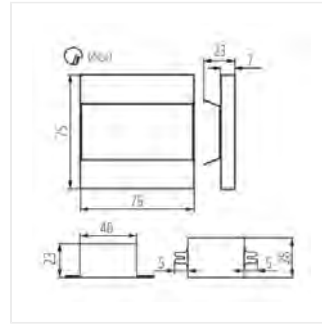
Staircase LED light fitting



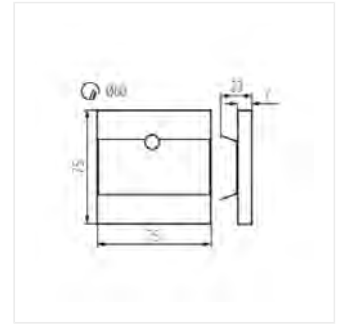
TERRA MINI LED



TERRA LED



TERRA LED AC



TERRA LED PIR