



Ellipse PRO

650/850/1200/1600

Installation and user manual

English - Français

Deutsch - Italiano

Español - Nederlands

Português - Ελληνικά

Polski - Český

Slovensky - Slovenija

Magyar - Türkçe

РУССКИЙ

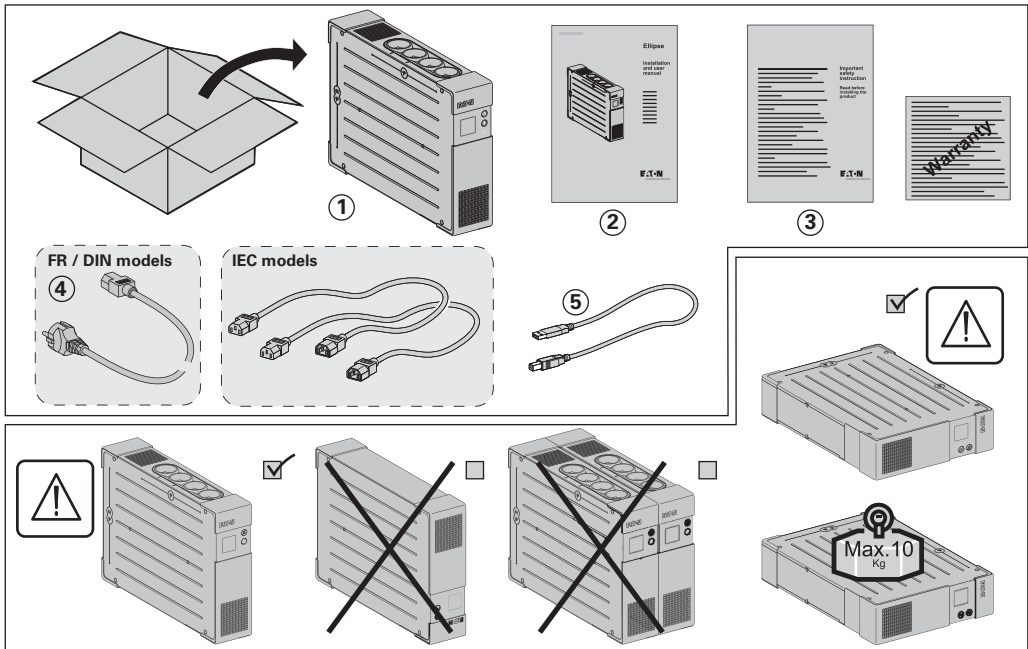
Svenska - Suomi

عربي

EAT•N

Powering Business Worldwide

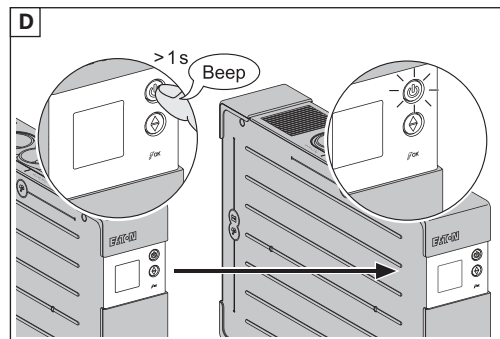
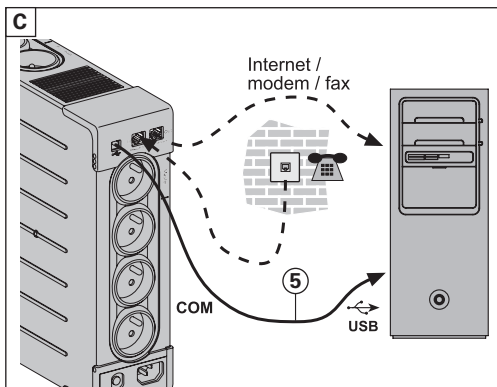
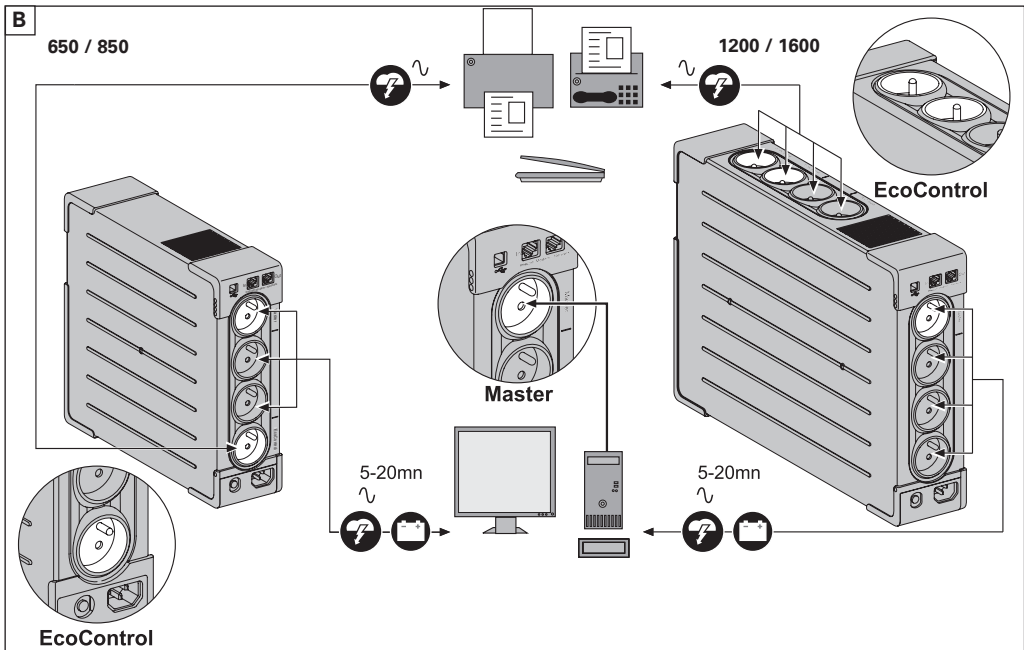
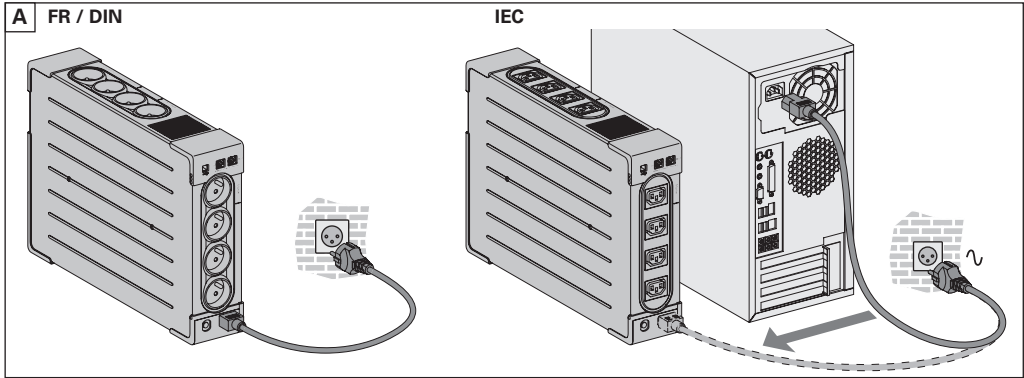
Packaging



Caution!

- EN** • Before installing the Ellipse, read the booklet ③ containing the safety instructions that must be followed. Then follow the instructions given in this manual ②.
- FR** • Avant l'installation de Ellipse, lire le livret ③ qui présente les consignes de sécurité à respecter. Suivre ensuite les instructions du présent manuel ②.
- DE** • Vor Installation des Ellipse die im Heft ③ genannten Sicherheitsvorschriften lesen. Anschließend die Anweisungen im vorliegenden Handbuch ② befolgen.
- IT** • Prima dell'installazione del Ellipse, leggere attentamente le istruzioni di sicurezza riportate sul libretto ③. In seguito, attenersi alle istruzioni riportate sul presente manuale ②.
- ES** • Antes de la instalación del Ellipse, leer el manual ③ que presenta las instrucciones de seguridad a cumplir. A continuación, seguir las instrucciones del presente manual ②.
- NL** • Lees voordat u het Ellipse gaat installeren eerst de veiligheidsinstructies in boekje ③. Volg daarna de instructies van deze handleiding ②.
- PT** • Antes da instalação do Ellipse, ler o caderno ③ onde constam as instruções de segurança a respeitar. Depois, seguir as instruções do presente manual ②.
- EL** • Πριν την εγκατάσταση του Ellipse, διαβάστε το φυλλάδιο ③ με τις συμβουλές ασφαλείας που πρέπει να τηρείτε. Στη συνέχεια, ακολουθήστε τις οδηγίες χρήσης αυτού του φυλλαδίου ②.
- PL** • Przed zainstalowaniem Ellipse, należy przeczytać instrukcję ③, która zawiera niezbędne zalecenia bezpieczeństwa. Następnie należy zapoznać się z zaleceniami zawartymi w niniejszej instrukcji ②.
- CS** • Před instancí zdroje Ellipse si prostudujte příručku ③ kde najdete bezpečnostní předpisy, které je třeba dodržovat. Dále postupujte podle pokynů uvedených v příručce ②.
- SL** • Pred inštalacijo vupustky si prečitajte knjižko ③, v kotreji sú uvedené bezpečnostné príkazy, ktoré je potrebné dodržať. Potom postupujte podľa pokynov tejto príručky ②.
- SK** • Preden instalirate Ellipse, preberite knjižičko ③, v kateri so varnostna navodila, ki jih je treba upoštevati. Nato sledite navodilom tega priručnika ②.
- HU** • Az Ellipse telepítése előtt olvassa el a ③-es könyvet, mely a betartandó biztonsági előírásokat tartalmazza. Ezután kövesse a jelen, ②-ös kézikönyv utasításait.
- TR** • Ellipse'in tesisatını yapmadan önce, uyulacak güvenli talimatlarını gösteren ③ sayılı kitapçığı okuyunuz. Dana sonra isbu ② sayılı el kitabındaki talimatlara uyunuz.
- RU** • Перед установкой Источника Бесперебойного Питания (АСИ) прочитайте инструкцию ③ с правилами по технике безопасности, которые необходимо соблюдать. Затем следуйте указаниям настоящего руководства ②.
- AR** • قبل تركيب جهاز Ellipse، احرص على قراءة الكتيب ③ المشتمل على إرشادات الأمان التي يجب اتباعها. ثم اتبع التعليمات الموجودة في هذا الدليل ②.
- SV** • Innan installation av Ellipse, läs instruktionsmanualen ③ innehållande säkerhetsinstruktionerna och följ sedan dem. Följ sedan instruktionerna som ges i denna manua ②.
- FI** • Lue nämä ohjeet ennen Ellipse asennusta turvallisuusohjeet ③ ja käyttöohjeet ②.

Quick start

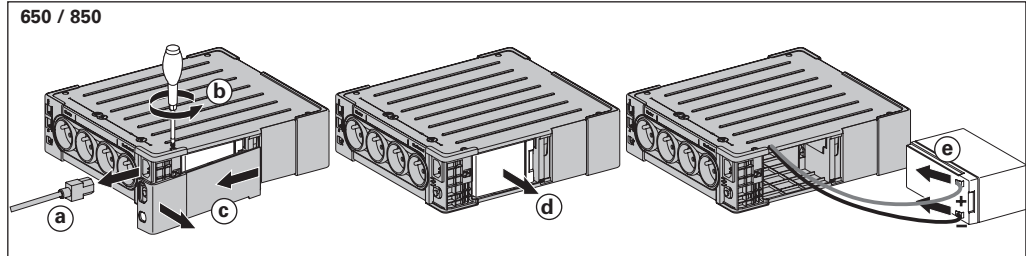


Register warranty at: powerquality.eaton.com

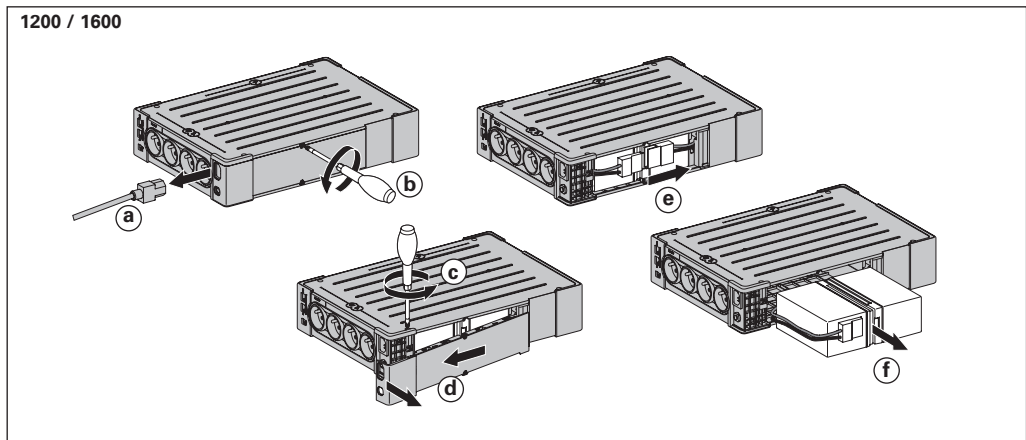
Battery disposal and safety

- **Caution.** Battery service life is reduced by 50 % for every ten degrees above 25 °C.
- **The battery must be replaced exclusively by qualified personnel (risk of shock),** with new battery approved by Eaton to ensure correct operation of the UPS.
- The battery must be disposed of in accordance with applicable regulations. To remove the battery, shut down the UPS (button **6** OFF), remove the power cord and proceed as indicated below "Battery change".

Battery change



- **Warning:** take care not to inverse the polarity + (red) and - (black) when connecting the battery as this will destroy the device.



Technical characteristics

Ellipse PRO	650	850	1200	1600
• UPS power	650 VA / 400 W	850 VA / 510 W	1200 VA / 750 W	1600 VA / 1000 W
• Nominal input voltage	165 V - 264 V, adjustable to 150 V - 284 V			
• Input frequency	50/60 Hz (46 - 70 Hz working range)			
• Voltage/frequency of battery backup outlets (19) in battery mode	220 V / 230 V / 240 V +15 % -20 % (50/60 Hz ± 1 Hz)			
• Total output current for all outlets	10 A max			
• Output current of battery backup outlets (19)	3 A max	3.6 A max	5.5 A max	7.3 A max
• Leakage current	0.4 mA			
• Input protection	10 A resettable circuit breaker			
• Transfer time	5 ms typical			
• Telephone/Data surge protection	Tel, ISDN, ADSL, Ethernet			
• Sealed lead-acid battery	12 V, 7 Ah	12 V, 9 Ah	2x12V, 7 Ah	2x12V, 9 Ah
• Automatic battery test	Once a week			
• Average battery life	4 years typical, depending on temperature and number of discharge cycles			
• Operating temperature	0 to 35 °C			
• Storage temperature	-25 °C to +55 °C			
• Operating relative humidity	0 to 85 %			
• Operating elevation	0 to 2000 m			
• Safety standards	IEC 62040-1, CE certified			
• Electromagnetic compatibility standards	IEC 62040-2, C1*			
• Warranty	3 years			
• Dimensions (mm/inch)	260 x 82 x 285 / 10.24 x 3.23 x 11.22		275 x 82 x 390 / 10.83 x 3.23 x 15.35	
• Weighth (kg/lb)	6.9 / 15.2	7.3 / 16.1	9.7 / 21.4	11.5 / 25.4

(*) **Warning:** Output cables should not exceed 10 m length.

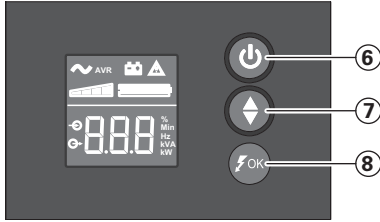
Performances tested according to IEC 61643-1 (class 3) standard for 8/20 µs surge wave

AC input source protection, Ellipse PRO:	650	850	1200	1600
• Uoc (common mode / differential mode)	6 kV / 2 kV			
• Up (common mode / differential mode)	1.8 kV / 1 kV			
• In	3 kA			
Dielectric isolation				
• AC Ground	1500 Vac, 50 Hz			
• AC / TEL	3000 Vac, 50 Hz			
• Tel / Ground	1000 Vac, 50 Hz			
Temporary overvoltage (TOV)				
• Uc	250 Vac			
• Ut	430 Vac			
Energy dissipation	405 Joules			

1. Operating conditions

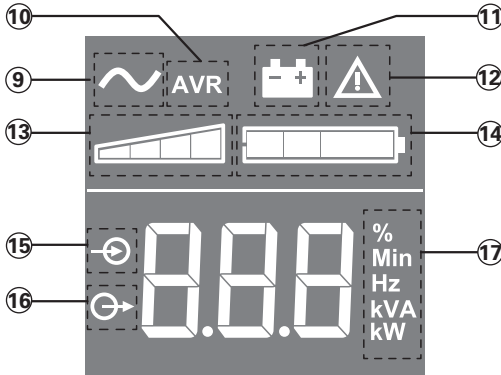
- This product is an **Uninterruptible Power Supply (UPS)** for computers and their peripherals, television sets, stereo systems and video recorders... It must not be used to supply other electrical equipment (lighting, heating, household appliances, etc.).
- **UPS** can be installed in horizontal, vertical position, or placed in Rack 2U (optional kit).

2. Description



- ⑥ ON/OFF button for the battery backup outlets
- ⑦ Scroll down
- ⑧ ASR LED

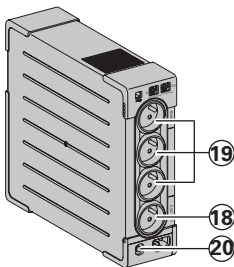
LCD



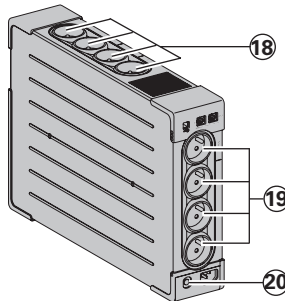
- ⑨ UPS ON
- ⑩ AVR mode
- ⑪ Battery mode
- ⑫ Internal fault
- ⑬ Output load level
- ⑭ Battery level
- ⑮ Input measurements
- ⑯ Output measurements
- ⑰ Measuring unit

Outlets

650 / 850



1200 / 1600



- ⑱ Surge protection outlets
- ⑲ Battery backup outlets
- ⑳ Protection (circuit breaker)

3. UPS connections

- Connect the UPS ① to the AC-power system via a wall outlet with an earth connector, using the supplied cord ④ for a UPS with FR/DIN sockets or with the supply cord of your computer for a UPS with IEC sockets (see figure A).
- Plug critical equipment (computer, monitor, modem, etc.) into the outlets ⑱ providing battery backup power and surge protection (see figure B), taking care not to exceed the rated current indicated in amperes.
- Other devices (printer, scanner, fax, etc.) can be connect to the surge protection outlets ⑲ (see figure B). The surge protection outlets are not backed up by battery power in the event of a power outage.
- Leave sufficient space around the UPS for better ventilation.

Optional Internet modem / Network connection:

A modem or Ethernet data line can be protected against surges by connecting it via the UPS. Connect the existing device cable between the wall outlet and the UPS, and use a similar cable between the UPS and the device, as indicated in figure C (cable not supplied).

Optional USB connection:

The UPS device can be connected to the computer using the USB cable ⑤ supplied (see figure C).

Eaton UPS Companion software is downloadable from powerquality.eaton.com. Register for the warranty on powerquality.eaton.com.

4. Master and EcoControl outlets operating procedure

In order to limit energy consumption of peripherals (scanner, printer) in standby mode, the Ellipse PRO is equipped with **EcoControl** outlets that are dependent on the Master outlet. When the main device supplied by the Master outlet (computer) is shut down, the **EcoControl** outlets are automatically deactivated and the peripherals shut down. This function (deactivated by default) is validated and configured using the configuration tool integrated in the software.

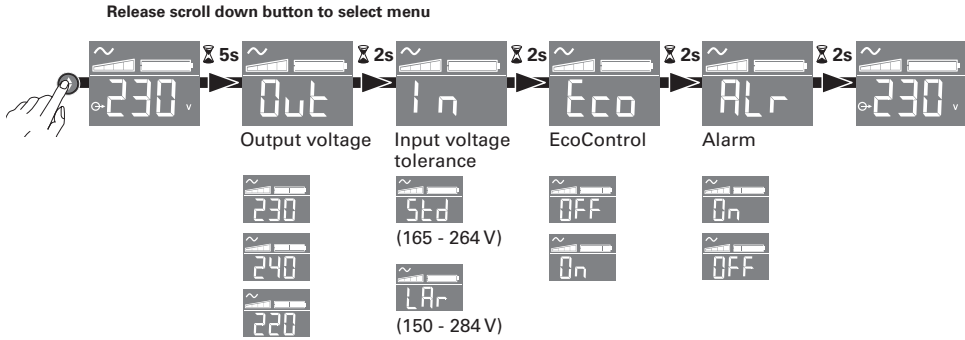
Note: when the function is activated, do not connect critical applications to **EcoControl** outlets.

Threshold setup

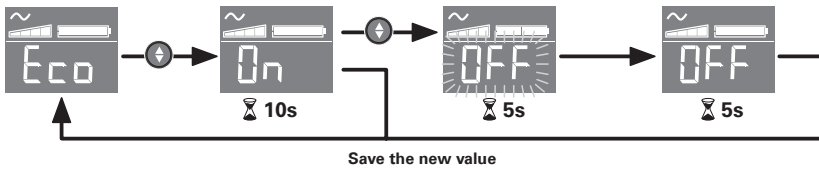
A default setup ensures the correct operation of the **EcoControl** function. However, depending on the consumption of the main load, the trigger threshold of the **EcoControl** function may have to be modified using the configuration software:

- First, make sure that the function is activated in the "**EcoControl Function**" tab of the configuration tool.
- If the peripherals connected to the **EcoControl** outlets do not switch off when the main load is not in normal operation (ex: when in standby mode), the detection threshold value must be set to **High**.
- If the rated consumption level of the main load is low and the **EcoControl** outlets shut down when the main load is operating normally, the detection threshold value must be set to **Low**.

5. UPS setting through the LCD



Example of setting



- LCD shut off if no activity for 3 minutes.

6. Operation

Battery charge

The UPS charges the battery as soon as it is connected to the AC outlet, whether button ⑥ is pressed or not. When used for the first time, the battery will only provide its maximum performance after it has been charged for 8 hours. It is recommended that the UPS be permanently connected to the AC power supply to ensure the best possible performance.

Switching-on the UPS

Press button ⑥ for about 1 second.

Surge protection outlets ⑱ without battery backup

Equipment connected to these outlets is supplied as soon as the AC cord ④ is plugged in. They are not affected by button ⑥.

Battery backup outlets ⑲

Equipment connected to these outlets is supplied as soon as button ⑥ turns green (see figure D).

These outlets can be turned on even if the UPS is not connected to AC power (button ⑥ flashes).

AC-power disturbance

- If AC power is disturbed or fails, the UPS continues to operate on battery power. Button ⑥ flashes green. In normal mode, the audible alarm beeps every ten seconds, then every three seconds when the end of battery backup time is near. In silent mode, the audible alarm simply beeps once when the UPS transfers to battery power.
- If the power outage lasts longer than the battery backup time, the UPS shuts down and automatically restarts when power is restored. Following a complete discharge, a few hours are required to recharge the battery back to full backup time.

Surge protection:

All outlets include surge protection.

Shutdown of the battery backup outlets ⑱

Press button ⑥ for more than two seconds.

7. Troubleshooting

Problem	Diagnostic	Solution
1 • The battery backup outlets ⑱ are not supplied with power.	• Button ⑥ is not lighted on.	• Press button ⑥ and check that it turns green.
2 • The connected devices are not supplied when AC power fails.	• The devices are not connected to the battery backup outlets ⑱.	• Connect the devices to the battery backup outlets ⑱.
3 • AC power is available, but the UPS operates on battery power.	• Circuit breaker ⑳, located at the rear of the UPS, has been tripped by an overload on the UPS output.	• Disconnect excess equipment and reset the circuit breaker ⑳ by pressing the corresponding button.
4 • Green button ⑥ flashes and audible alarm beeps every 3 seconds.	• The UPS battery backup outlets ⑱ are overloaded.	• Disconnect excess equipment connected to the battery backup outlets ⑱.
5 • Fault sign ⑫ appear on the LCD panel and audible alarm beeps continuously.	• A fault has occurred on the UPS. The battery backup outlets ⑱ are no longer supplied.	• Call after-sales support.
6 • Green LED ⑧ is off and the filtered outlets ⑱ are supplied.	• Surge protection is no longer provided.	• Call after-sales support.
7 • EcoControl outlets keep powered when main application (Master outlet) is stopped.	• EcoControl function is not activated or not properly set.	• Activate or set properly EcoControl function using the software provided with the product.