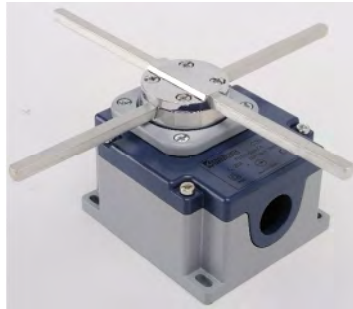




ELEKTROTEKNIKA MAK NE SANAY VE TICARET A. S.

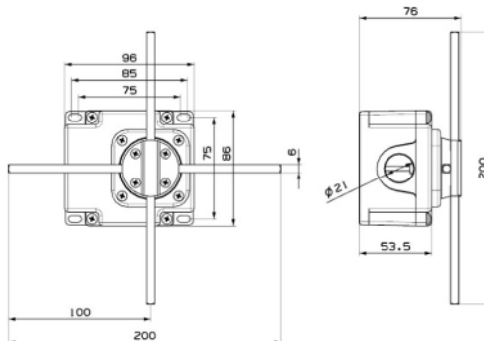
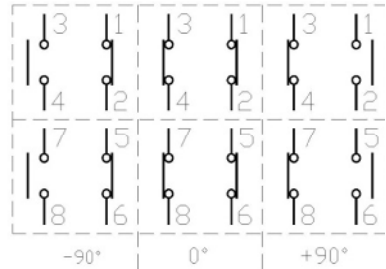
CROSS LIMIT SWITCH USER MANUAL

CSM02



Technical and Electrical Specifications

Max Operating Voltage	400V AC	Operating Temperature	- 5 / + 40 C
Max Thermal Current	20 A	Frequency	50 Hz
Short Circuit Break Capacity	6 kA	Isolation Resistance	10 M (500 V DC)
Electrical Life	10.000 Open /close	IP Class	IP65
Mechanical Life	10.000 Open /close	Cable Channel	PG13,5



TECHNICAL SPECIFICATIONS

Dear Customer,

Thank you for choosing **EMAS** brand.

We kindly request that you pay attention to the issues below; in order to be able to use the product you purchased correctly and fit for purpose:

- Please read the entire User's Manual and Technical Specifications provided, before the product installation and keep them as a reference throughout use.
- Please don't buy products with damaged packaging.
- Please ensure that the product and parts of the product are complete and in original packaging.
- Please make sure that the code of the product you ordered and the code on the packaging match, otherwise please return without opening.

PRODUCT TECHNICAL SPECIFICATIONS

- Our product complies with TS EN 60947-3 standard and is under warranty by **EMAS** for 2 years against manufacturing faults.
- Please have only qualified electricians install the products.
- Please make sure power is cut off before installation of our products.
- Please choose the **EMAS** product most suitable for rated voltage and current values.
- Operating temperatures of **EMAS** products are between -5°C and $+40^{\circ}\text{C}$.
- Short circuit protection components should be located on the low voltage switch box where the products are connected in order to protect power plant and plant components.
- Products should be sheltered from elements like rain, water, moisture and fire that can damage the product and product package.
- Products should not be installed on a moist, newly-painted surface.
- Products should not be covered with insulating or similar material.
- Products should be used on environment conditions complying with the IP levels specified on product label.
- Product should be installed by observing the warning signs and symbols specified on the product label and product user manual.

Please contact **EMAS** for faults in the products. We advise you to pay attention to the issues specified in this technical specification to be able to use the product efficiently. We remind you that our company will not be responsible for any damages incurred by noncompliance with these rules, and the product warranty will be void.

WARRANTY CONDITIONS

- Product invoice is used as warranty certificate and is evaluated according to the matters below.
- Warranty period begins at the customer invoicing date and is valid for 2 years.
- The entire product and all the parts that form the product are covered by our company against manufacturing faults.
- In case of malfunction during the warranty period, we kindly request that you call **EMAS** Quality Assurance Department.
- During the product warranty period: if the product malfunctions because of manufacturing faults, replacement is made free of charge without shipping cost.
- In the case that the good is defective within the warranty period, the time of repair is added to the warranty period. The repair time of the good is maximum 30 business days
- If the product, in 1 year during the warranty period specified starting from the date the product is delivered to the customer; repeats the same malfunction 2 times; 4 different malfunctions occur; and if the total number of differing malfunctions during the specified warranty period reaches 6; and these malfunctions render the utilization of the product impossible continuously, the maximum time for repairs is exceeded, or it is specified in the report issued by the manufacturer that the malfunction is not repairable, the following options are presented to the customer:
 - Product is replaced free of charge.
 - Payment is refunded.
 - Discount amounting to the fault is applied.
- The warranty period of the product changed within the scope of the warranty is limited with the warranty period of the purchased product.
- The local manufactured and import products sold by **EMAS**, whatever the brand, are subject to the warranty conditions above.

CONDITIONS THAT VOID THE WARRANTY OF THE PRODUCT YOU PURCHASED

- Noncompliance the conditions in **EMAS** technical specification and User Manual,
- Faulty installation, maintenance, repairs or disassembly by unqualified personnel.
- Damages that can be caused during the transportation of the product,
- Damages resulting from noncompliance with the storage conditions of the product,
- Works, connections and applications made in noncompliance with the TMMOB Chamber of Electric Engineers, Electrical Interior Works Regulation,
- Damages that are incurred by the fluctuations in the grid voltage that cause voltages that are beyond the tolerances specified on the product,
- If you don't present the invoice, the product you purchased will not be deemed to have a warranty.

OPERATING LIFE IS 10 YEARS



MANUFACTURER / AUTHORISED SERVICE

kitelli Organize Sanayi Bölgesi Ziya Gökalp Mah. Atatürk Bulvarı No:50
BA AK EH R / STANBUL / TÜRK YE Tel:+90 212 549 2252(pbx) Fax : +90 212 549 2580
www.emasas.com.tr

9KTP502/Rev.01