

## Series Amparo, Compact Indicator Lights 24 V - AC/DC



BZ501210-B

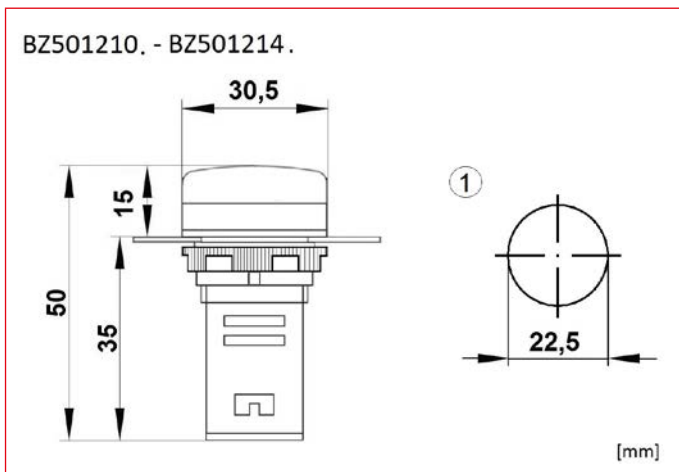


BZ501211-B

### Schrack-Info

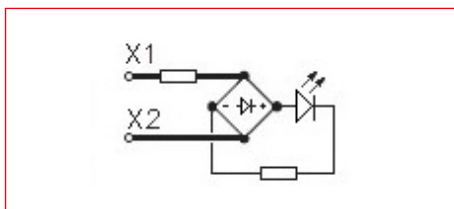
- Compact design
- Protection degree: IP65
- Protection degree: IP40
- LED ≤ 20mA

### Dimensions



1) drilling plan

### Wiring Diagram



DESCRIPTION	AVAILABLE	ORDER NO.
Compact-LED red, 24V AC/DC		<b>BZ501210-B</b>
Compact-LED yellow, 24V AC/DC		<b>BZ501211-B</b>
Compact-LED blue, 24V AC/DC		<b>BZ501212-B</b>
Compact-LED green, 24V AC/DC		<b>BZ501213-B</b>
Compact-LED white, 24V AC/DC		<b>BZ501214-B</b>

## Series Amparo, Compact Indicator Lights 230 V - AC/DC



BZ501215-B

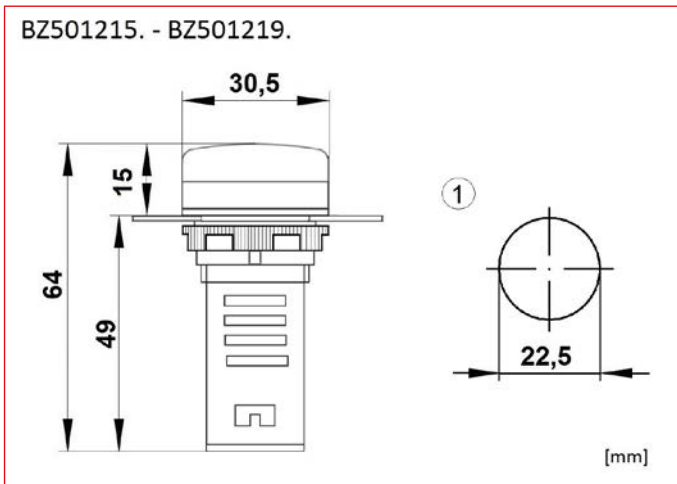


BZ501216-B

### Schrack-Info

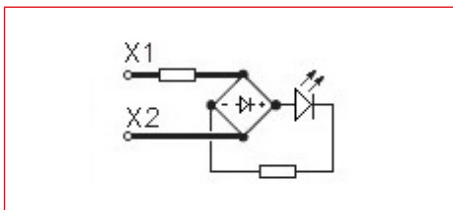
- Compact design
- Protection degree: IP65
- Protection degree: IP40
- LED ≤ 20mA

### Dimensions



1) drilling plan

### Wiring Diagram



DESCRIPTION	AVAILABLE	ORDER NO.
LED-indicator monobloc red, 230V AC/DC		<b>BZ501215-B</b>
LED-indicator monobloc yellow, 230V AC/DC		<b>BZ501216-B</b>
LED-indicator monobloc blue, 230V AC/DC		<b>BZ501217-B</b>
LED-indicator monobloc green, 230V AC/DC		<b>BZ501218-B</b>
LED-indicator monobloc white, 230V AC/DC		<b>BZ501219-B</b>



## Series Amparo, Compact Indicator Lights - Accessories



MSZT1710



MSZS000917



MSZS010717

### Schrack-Info

- Label holder fitted with self-adhesive tape

DESCRIPTION	TYPE NO.	AVAILABLE	ORDER NO.
Tag holder for snap-in plate 17,5x28mm	MSZ		<a href="#">MSZT1710</a>
Plate 17,5x28mm, aluminium, snap-in, "EIN"	MSZ		<a href="#">MSZS000217</a>
Plate 17,5x28mm, aluminium, snap-in, "AUS"	MSZ		<a href="#">MSZS000317</a>
Plate 17,5x28mm, aluminium, snap-in, "AUF"	MSZ		<a href="#">MSZS000417</a>
Plate 17,5x28mm, aluminium, snap-in, "AB"	MSZ		<a href="#">MSZS000517</a>
Plate 17,5x28mm, aluminium, snap-in, "ZU"	MSZ		<a href="#">MSZS000617</a>
Plate 17,5x28mm, aluminium, snap-in, "BETRIEB"	MSZ		<a href="#">MSZS000717</a>
Plate 17,5x28mm, aluminium, snap-in, "STÖRUNG"	MSZ		<a href="#">MSZS000817</a>
Plate 17,5x28mm, aluminium, snap-in, "START"	MSZ		<a href="#">MSZS000917</a>
Plate 17,5x28mm, aluminium, snap-in, "HALT"	MSZ		<a href="#">MSZS001017</a>
Plate 17,5x28mm, aluminium, snap-in, "STOP"	MSZ		<a href="#">MSZS001117</a>
Plate 17,5x28mm, aluminium, snap-in, "STOP START"	MSZ		<a href="#">MSZS001217</a>
Plate 17,5x28mm, aluminium, snap-in, "HAND AUTO"	MSZ		<a href="#">MSZS001317</a>
Plate 17,5x28mm, aluminium, snap-in, "0 I"	MSZ		<a href="#">MSZS001417</a>
Plate 17,5x28mm, aluminium, snap-in, arrow vertical	MSZ		<a href="#">MSZS001517</a>
Plate 17,5x28mm, aluminium, snap-in, arrow horizontal	MSZ		<a href="#">MSZS001617</a>
Plate 17,5x28mm, aluminium, snap-in, without text	MSZ		<a href="#">MSZS001717</a>
Plate 17,5x28mm, aluminium, snap-in, "ON"	MSZ		<a href="#">MSZS010217</a>
Plate 17,5x28mm, aluminium, snap-in, "OFF"	MSZ		<a href="#">MSZS010317</a>
Plate 17,5x28mm, aluminium, snap-in, "UP"	MSZ		<a href="#">MSZS010417</a>
Plate 17,5x28mm, aluminium, snap-in, "DOWN"	MSZ		<a href="#">MSZS010517</a>
Plate 17,5x28mm, aluminium, snap-in, "CLOSE"	MSZ		<a href="#">MSZS010617</a>
Plate 17,5x28mm, aluminium, snap-in, "RUNNING"	MSZ		<a href="#">MSZS010717</a>
Plate 17,5x28mm, aluminium, snap-in, "FAULT"	MSZ		<a href="#">MSZS010817</a>
Plate 17,5x28mm, aluminium, snap-in, "MAN AUTO"	MSZ		<a href="#">MSZS011317</a>
Plate 17,5x28mm, aluminium, snap-in, "AUS EIN"	MSZ		<a href="#">MSZS020317</a>
Plate 17,5x28mm, aluminium, snap-in, "OFFEN"	MSZ		<a href="#">MSZS020417</a>
Plate 17,5x28mm, aluminium, snap-in, "HAND 0 AUTO"	MSZ		<a href="#">MSZS021317</a>
Plate 17,5x28mm, aluminium, snap-in, "I 0 II "	MSZ		<a href="#">MSZS021417</a>
Plate 17,5x28mm, aluminium, snap-in, "OFF ON"	MSZ		<a href="#">MSZS030317</a>
Plate 17,5x28mm, aluminium, snap-in, "OPEN"	MSZ		<a href="#">MSZS030417</a>
Plate 17,5x28mm, aluminium, snap-in, "MAN 0 AUTO"	MSZ		<a href="#">MSZS031317</a>