

Printview: COMPACT splicing connectors for all wire types; 2-conductor wire block; with operating levers; Max. operating temperature 85°C - Item No.: 221-412

WAGO® online catalog / eShop

COMPACT splicing connectors for all wire types; 2-conductor wire block; with operating levers; Max. operating temperature 85°C

Item No.: 221-412



COMPACT splicing connectors for all wire types; 2-conductor wire block; with operating levers; Max. operating temperature 85°C

Marking

RoHS ✓
Compliant

Business data

Supplier	WAGO
Item no.	221-412
GTIN / EAN	4050821808435
Content	1
Order amount	100
Customer item number	

Notes

Technical data

Miscellaneous

Total number of connection points	2
Total number of potentials	1
Color	transparent
Ratings according to 1	EN 60664
Pollution degree (1)	2
Rated voltage EN (1) [V]	450 [V]
Rated surge voltage (1) [kV]	4 [kV]
Nominal current [A]	32 [A]

Printview: COMPACT splicing connectors for all wire types; 2-conductor wire block; with operating levers;
 Max. operating temperature 85°C - Item No.: 221-412

Technical data	
Connection technology (1)	CAGE CLAMP®
Nominal cross section 1	4 mm ²
Solid sizes 1	0.2 ... 4 mm ² / 24 ... 12 AWG
stranded, connectable 1	0.2 ... 4 mm ² / 24 ... 12 AWG
Fine-stranded wires 1	0.14 ... 4 mm ² / 24 ... 12 AWG
Strip length 1	11 mm / 0.43 in
Type of wiring	Side-entry wiring
Flammability rating per UL 94	V2
Fire load [MJ]	0.026 [MJ]
Weight [g]	1.6 [g]
Width	13.1 mm / 0.516 in
Height	8.3 mm / 0.327 in
Length	18.6 mm / 0.732 in
Safety information 1	In grounded power lines

Approbation					
Item No.	Registration	Registration no.	Voltage [V]	Current [A]	Cross section [mm ² , AWG]
221-412	CCA	2168803.01	450	32	0.20-4.00

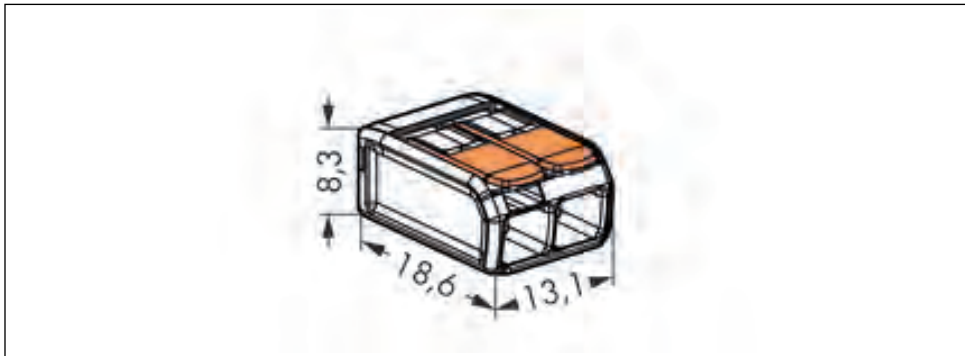
Printview: COMPACT splicing connectors for all wire types; 2-conductor wire block; with operating levers;
Max. operating temperature 85°C - Item No.: 221-412

Images & drawings





Printview: COMPACT splicing connectors for all wire types; 2-conductor wire block; with operating levers;
Max. operating temperature 85°C - Item No.: 221-412



Address

WAGO Kontakttechnik GmbH & Co. KG

Hansastr. 27

32423 Minden

Telefon: 0571/887-0

Fax: 0571/887-169

<http://www.wago.com>

© WAGO Kontakttechnik GmbH & Co. KG

Technische Änderungen und Irrtümer vorbehalten.