

# HYDROPHORE SEQUENCING RELAY

HSR-02 / HSR-03 **ENG**

## General

Hydrophore Sequencing Relays have been designed as they will start operating when needed and operate simultaneously.

## Usage of Device and Working Principle

The hydrophore sequence is as follows: (H1) - (H2) - (H3) and (H1-H2) - (H2-H3) - (H1-H3). It activates hydrophores at the same number with the closed switches and keeps them operating during the "t" time. After the "t" time is up, it engages the next hydrophore or the hydrophore group and t continues in this way. It deactivates hydrophores at the same number with the open switches.

**Note:** Do not energize the inputs and outputs (P1, P2, P3) of the pressure switch.

## Maintenance

Switch off the device and release from connections. Clean the trunk of device with a swab. Don't use any conductor or chemical might damage the device. Make sure device works after cleaning.

## Warnings

Please use the device according to the manual.

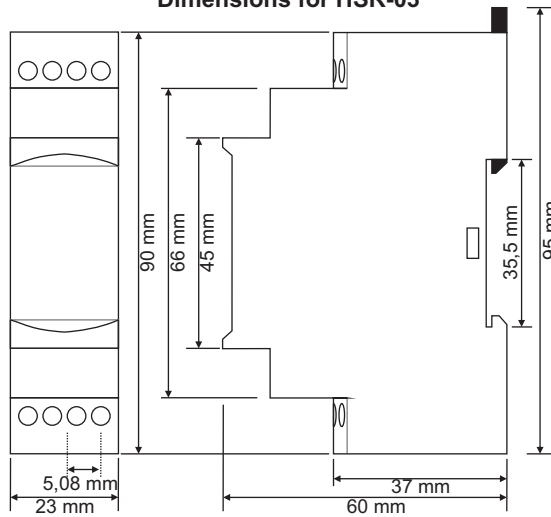
Don't use the device in wet.

Include a switch and circuit breaker in the assembly.

Put the switch and circuit breaker nearby the device, operator can reach easily.

Mark the switch and circuit breaker as releasing connection for device.

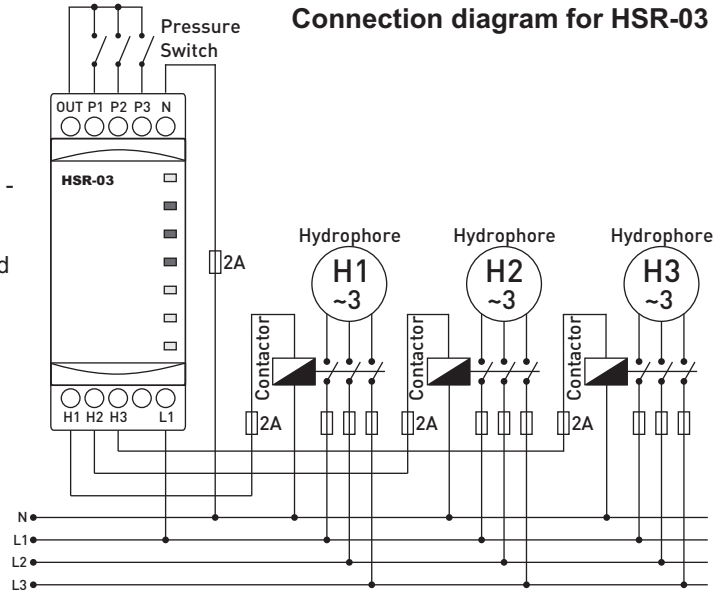
## Dimensions for HSR-03



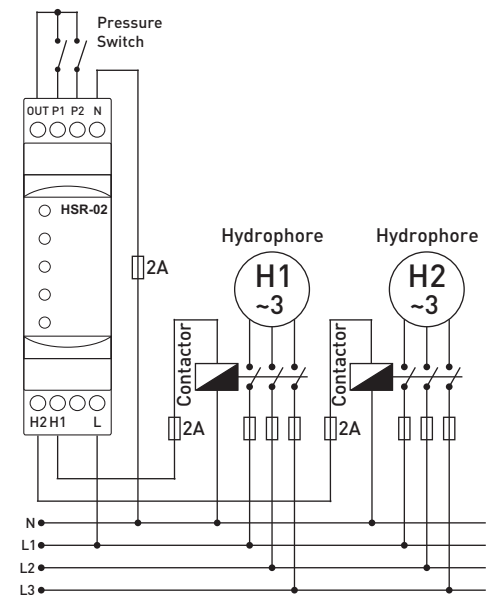
## Technical Specifications:

- Operating Voltage(Un).....: 150-250V AC
- Operating Frequency.....: 50/60 Hz.
- Operating Power.....: <6VA
- Operating Temperature.....: -20°C.... +55°C
- Time(t).....: 10minutes
- Display.....: HSR-02=5 x led, HSR-03=7 x led
- Connection Type.....: Terminal connection
- Contact.....: 3A/250V AC (Resistive Load)
- Number Hydrophore.....: 2(HSR-02) and 3(HSR-03)
- Number Pressure Switch.: 2(HSR-02) and 3(HSR-03)
- Cable Diameter.....: 1.5mm<sup>2</sup>(HSR-02), 2.5mm<sup>2</sup>(HSR-03)
- Weight.....: Max. 220gr.
- Mounting.....: Vertical assembled in the panel  
or assembled on the din rail.
- Operating Altitude.....: <2000meter

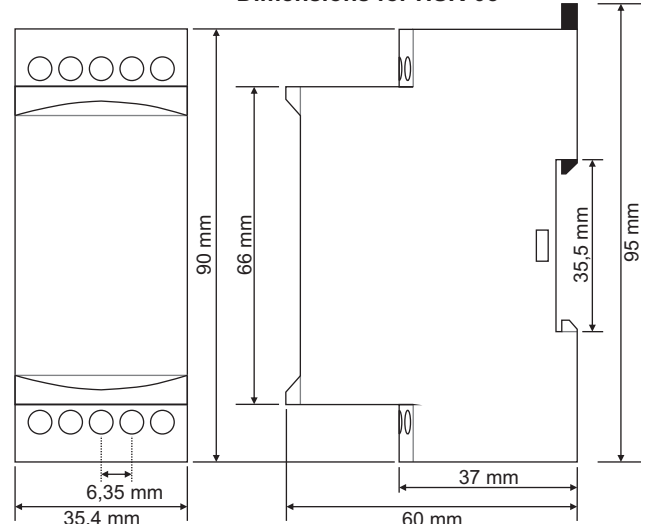
## Connection diagram for HSR-03



## Connection diagram for HSR-02



## Dimensions for HSR-03



Document Number: DK-017-4

**MADE IN TURKEY**

