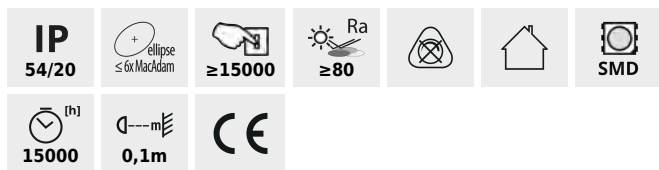





## LEDS SET

### LED kit



				
		[lm]	[m]	Tc [K]
LEDS SET S-DIM IR	<b>26320</b>	7,5	450	3000-3900
LEDS SET S-DIM TS	<b>26321</b>	7,5	450	3000-3900
LEDS SET W-SE ACCU	<b>26322</b>	2,4	180	3000-3900
LEDS SET W-SE BTRY	<b>26323</b>	2,4	180	3000-3900
LEDS SET B-SE SGL	<b>26324</b>	3,3	240	3000-3900
LEDS SET B-SE DBL	<b>26325</b>	6,5	2 x 240	3000-3900



Ready sets of LED strips for self-assembly. Each Kanlux LED SET has an independent power source (battery or power supply) owing to which we can mount them in any place. Depending on our needs, we can choose a set with a motion detector, proximity or touch switch.

- Material: plastic

## LEDS SET

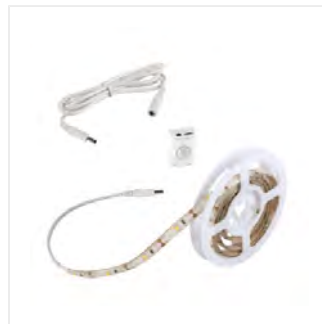
### LED kit



LEDS SET S-DIM IR



LEDS SET S-DIM TS



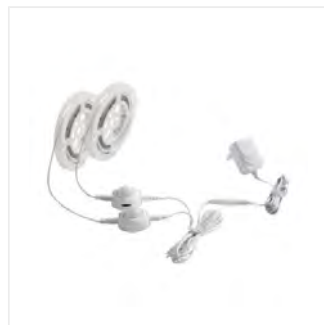
LEDS SET W-SE ACCU



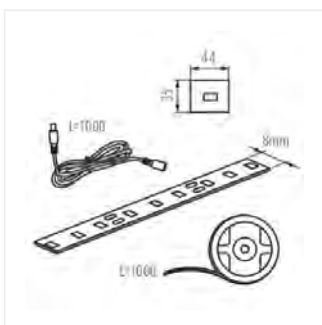
LEDS SET W-SE BTRY



LEDS SET B-SE SGL



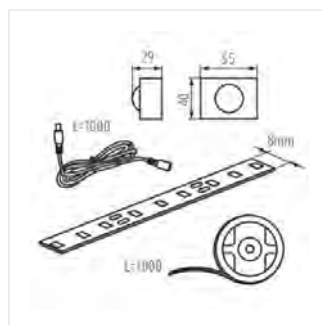
LEDS SET B-SE DBL



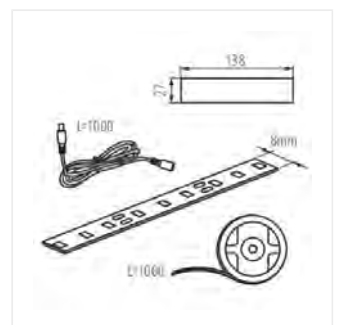
LEDS SET S-DIM IR



LEDS SET S-DIM TS



LEDS SET W-SE ACCU

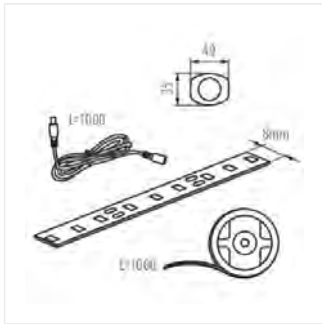


LEDS SET W-SE BTRY

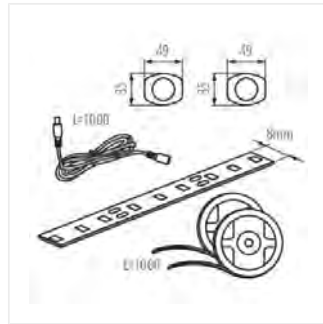
## LEDS SET

---

### LED kit



LEDS SET B-SE SGL



LEDS SET B-SE DBL