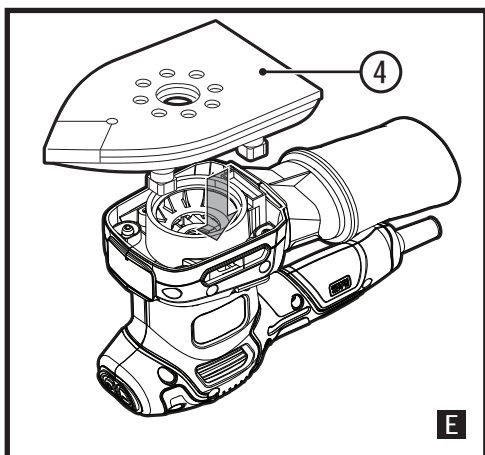
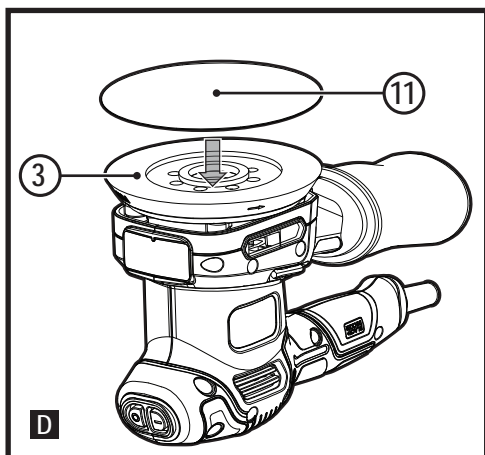
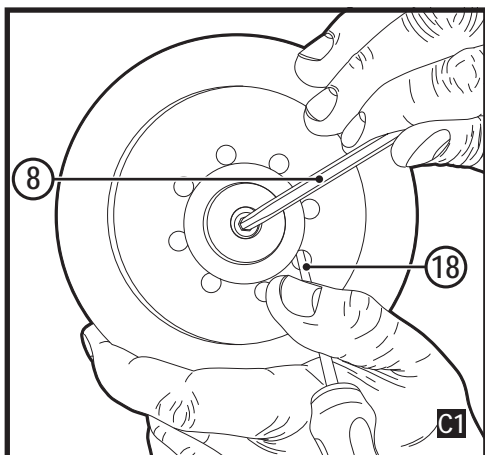
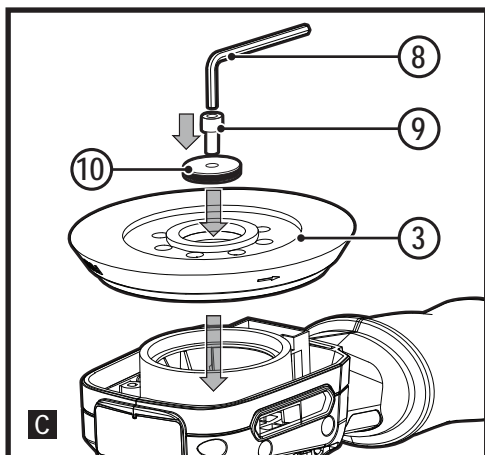
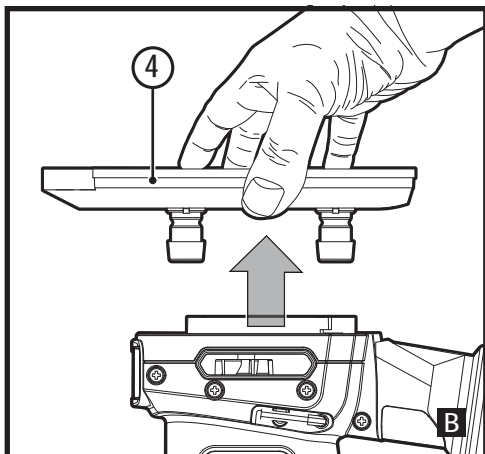
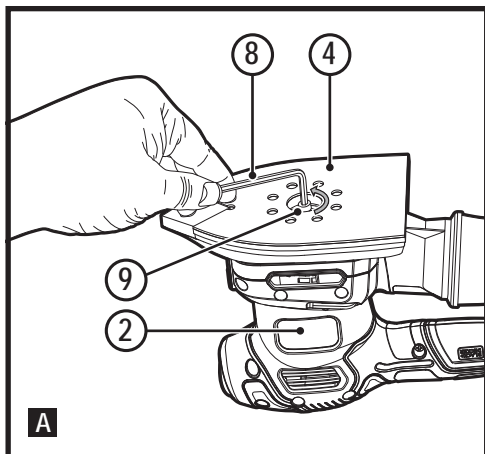
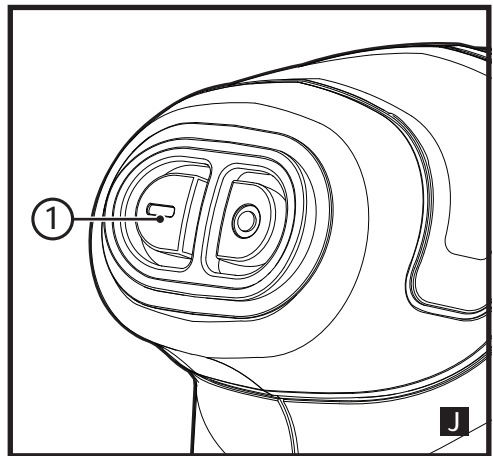
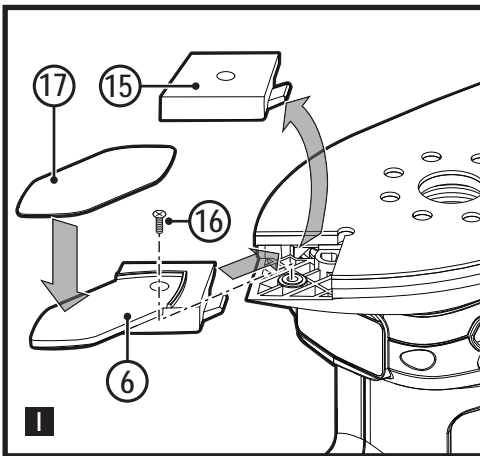
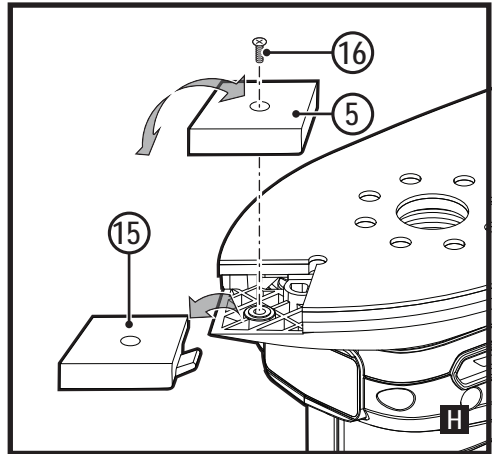
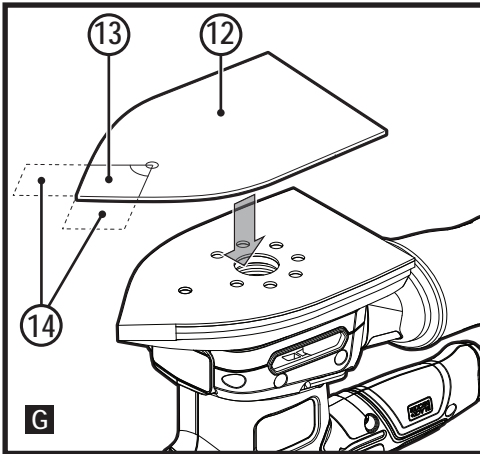
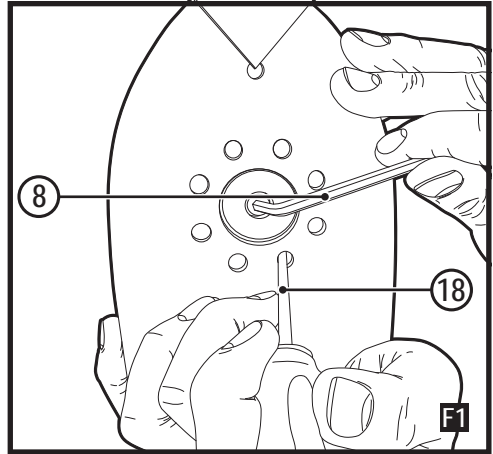
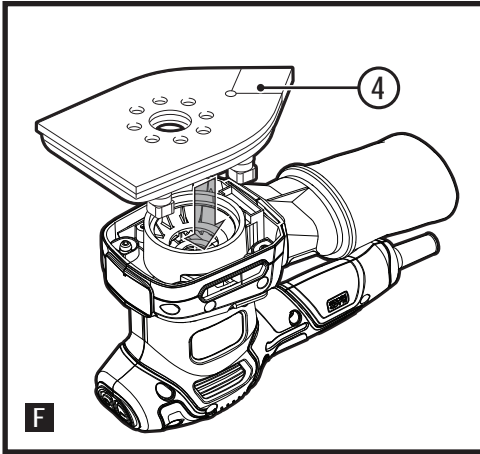
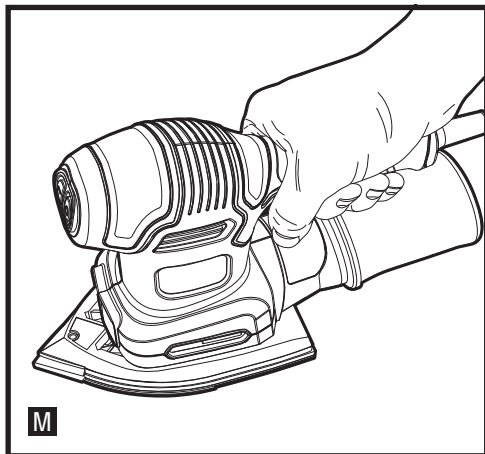
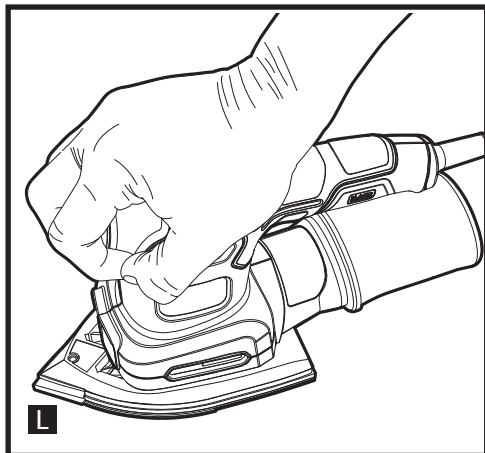
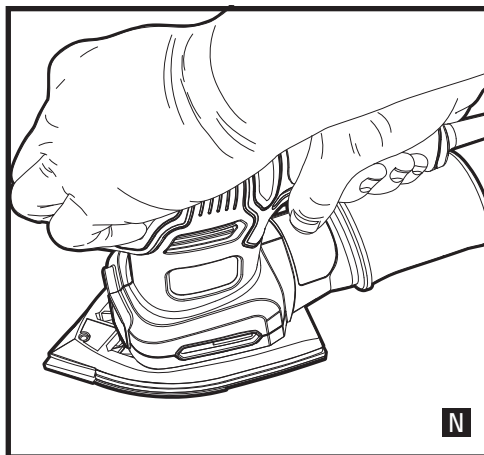
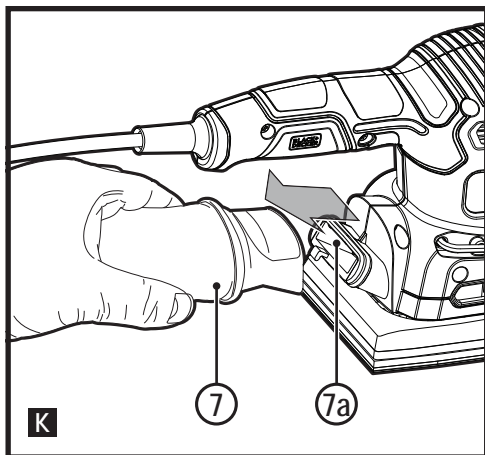


BEW200







Intended use

Your BLACK+DECKER BEW200 sander has been designed for sanding and polishing wood, metal, plastics and painted surfaces. This tool is intended for consumer use only.

Safety instructions

General power tool safety warnings



Warning! Read all safety warnings, instructions, illustrations and specifications provided with this power tool. Failure to follow the warnings and instructions listed below may result in electric shock, fire and/or serious injury.

Save all warnings and instructions for future reference. The term "power tool" in all of the warnings listed below refers to your mains operated (corded) power tool or battery operated (cordless) power tool.

1. Work area safety
 - a. Keep work area clean and well lit. Cluttered or dark areas invite accidents.
 - b. Do not operate power tools in explosive atmospheres, such as in the presence of flammable liquids, gases or dust. Power tools create sparks which may ignite the dust or fumes.
 - c. Keep children and bystanders away while operating a power tool. Distractions can cause you to lose control.
2. Electrical safety
 - a. Power tool plugs must match the outlet. Never modify the plug in any way. Do not use any adapter plugs with earthed (grounded) power tools. Unmodified plugs and matching outlets will reduce risk of electric shock.

- b. **Avoid body contact with earthed or grounded surfaces** such as pipes, radiators, ranges and refrigerators. There is an increased risk of electric shock if your body is earthed or grounded.
 - c. **Do not expose power tools to rain or wet conditions.** Water entering a power tool will increase the risk of electric shock.
 - d. **Do not abuse the cord. Never use the cord for carrying, pulling or unplugging the power tool. Keep cord away from heat, oil, sharp edges or moving parts.** Damaged or entangled cords increase the risk of electric shock.
 - e. **When operating a power tool outdoors, use an extension cord suitable for outdoor use.** Use of a cord suitable for outdoor use reduces the risk of electric shock.
 - f. **If operating a power tool in a damp location is unavoidable, use a residual current device (RCD) protected supply.** Use of an RCD reduces the risk of electric shock.
3. **Personal safety**
- a. **Stay alert, watch what you are doing and use common sense when operating a power tool. Do not use a power tool while you are tired or under the influence of drugs, alcohol or medication.** A moment of inattention while operating power tools may result in serious personal injury.
 - b. **Use personal protective equipment. Always wear eye protection.** Protective equipment such as dust mask, non-skid safety shoes, hard hat, or hearing protection used for appropriate conditions will reduce personal injuries.
 - c. **Prevent unintentional starting. Ensure the switch is in the off-position before connecting to power source and/or battery pack, picking up or carrying the tool.** Carrying power tools with your finger on the switch or energising power tools that have the switch on invites accidents.
 - d. **Remove any adjusting key or wrench before turning the power tool on.** A wrench or a key left attached to a rotating part of the power tool may result in personal injury.
 - e. **Do not overreach. Keep proper footing and balance at all times.** This enables better control of the power tool in unexpected situations.
 - f. **Dress properly. Do not wear loose clothing or jewellery. Keep your hair, clothing and gloves away from moving parts.** Loose clothes, jewellery or long hair can be caught in moving parts.
 - g. **If devices are provided for the connection of dust extraction and collection facilities, ensure these are connected and properly used.** Use of dust collection can reduce dust-related hazards.
 - h. **Do not let familiarity gained from frequent use of tools allow you to become complacent and ignore tool safety principles.** A careless action can cause severe injury within a fraction of a second.
4. **Power tool use and care**
- a. **Do not force the power tool. Use the correct power tool for your application.**
The correct power tool will do the job better and safer at the rate for which it was designed.
 - b. **Do not use the power tool if the switch does not turn it on and off.** Any power tool that cannot be controlled with the switch is dangerous and must be repaired.
 - c. **Disconnect the plug from the power source and/or the battery pack from the power tool before making any adjustments, changing accessories, or storing power tools.** Such preventive safety measures reduce the risk of starting the power tool accidentally.
 - d. **Store idle power tools out of the reach of children and do not allow persons unfamiliar with the power tool or these instructions to operate the power tool.**
Power tools are dangerous in the hands of untrained users.
 - e. **Maintain power tools and accessories. Check for misalignment or binding of moving parts, breakage of parts and any other condition that may affect the power tools operation.** If damaged, have the power tool repaired before use. Many accidents are caused by poorly maintained power tools.
 - f. **Keep cutting tools sharp and clean.** Properly maintained cutting tools with sharp cutting edges are less likely to bind and are easier to control.
 - g. **Use the power tool, accessories and tool bits etc. in accordance with these instructions, taking into account the working conditions and the work to be performed.** Use of the power tool for operations different from those intended could result in a hazardous situation.
 - h. **Keep handles and grasping surfaces dry, clean and free from oil and grease.**
Slippery handles and grasping surfaces do not allow for safe handling and control of the tool in unexpected situations.
5. **Service**
- a. **Have your power tool serviced by a qualified repair person using only identical replacement parts.**
This will ensure that the safety of the power tool is maintained.
- Additional power tool safety warnings**



Warning! Additional safety warnings for sanders

- ◆ Hold the power tool by insulated gripping surfaces, because the sanding surface may contact its own cord. Cutting a "live" wire may make exposed metal parts of the power tool "live" and could give the operator an electric shock.
- ◆ Use clamps or another practical way to secure and support the workpiece to a stable platform. Holding the work by hand or against your body leaves it unstable and may lead to loss of control.
- ◆ **Warning!** Contact with or inhalation of dusts arising from sanding applications may endanger the health of the operator and possible bystanders. Wear a dust mask specifically designed for protection against dust and fumes and ensure that persons within or entering the work area are also protected.
- ◆ Thoroughly remove all dust after sanding.
- ◆ Take special care when sanding paint which is possibly lead based or when sanding some woods and metal which may produce toxic dust:
 - ◆ Do not let children or pregnant women enter the work area.
 - ◆ Do not eat, drink or smoke in the work area.
 - ◆ Dispose of dust particles and any other debris safely.
- ◆ The intended use is described in this instruction manual.
The use of any accessory or attachment or performance of any operation with this tool other than those recommended in this instruction manual may present a risk of personal injury and/or damage to property.

Safety of others

- ◆ This appliance is not intended for use by persons (including children) with reduced physical, sensory or mental capabilities, or lack of experience and knowledge, unless they have been given supervision or instruction concerning use of the appliance by a person responsible for their safety.
- ◆ Children should be supervised to ensure that they do not play with the appliance.

Residual risks.

Additional residual risks may arise when using the tool which may not be included in the enclosed safety warnings. These risks can arise from misuse, prolonged use etc.

Even with the application of the relevant safety regulations and the implementation of safety devices, certain residual risks can not be avoided. These include:

- ◆ Injuries caused by touching any rotating/moving parts.
- ◆ Injuries caused when changing any parts, blades or accessories.

- ◆ Injuries caused by prolonged use of a tool. When using any tool for prolonged periods ensure you take regular breaks.
- ◆ Impairment of hearing.
- ◆ Health hazards caused by breathing dust developed when using your tool (example:- working with wood, especially oak, beech and MDF.)

Vibration

The declared vibration emission values stated in the technical data and the declaration of conformity have been measured in accordance with a standard test method provided by EN62841 and may be used for comparing one tool with another. The declared vibration emission value may also be used in a preliminary assessment of exposure.

Warning! The vibration emission value during actual use of the power tool can differ from the declared value depending on the ways in which the tool is used. The vibration level may increase above the level stated.

When assessing vibration exposure to determine safety measures required by 2002/44/EC to protect persons regularly using power tools in employment, an estimation of vibration exposure should consider, the actual conditions of use and the way the tool is used, including taking account of all parts of the operating cycle such as the times when the tool is switched off and when it is running idle in addition to the trigger time.

Labels on tool

The following symbols are shown on the tool, along with the date code:



Warning! To reduce the risk of injury, the user must read the instruction manual.

Electrical safety



This tool is double insulated; therefore no earth wire is required. Always check that the power supply corresponds to the voltage on the rating plate.

- ◆ If the supply cord is damaged, it must be replaced by the manufacturer or an authorised BLACK+DECKER Service Centre in order to avoid a hazard.

Features

This tool includes some or all of the following features.

1. On/off switch
2. Motor base
3. Random orbital sanding base
4. Large detail sanding base
5. Sanding base tip
6. Detail finger attachment
7. Dust canister

Assembly

Warning! Before assembly, make sure that the tool is switched off and unplugged.

Removing sanding bases (fig. A, B)

- ◆ To remove the sanding base, undo the locking screw (9) from the sanding base using the allen key (8) provided as shown in figure A.
- ◆ Pull the sanding base from the tool as shown in figure B.

Attaching the random orbit sanding base (fig. C, C1)

- ◆ Hold the tool and the sanding base (3) facing upwards as shown in figure C.
- ◆ Press down on the sanding base until you hear it click into place.
- ◆ Replace the locking screw (9) and secure with the allen key (8) provided as shown in figure C.
- ◆ Use a screwdriver (18) (not supplied) to lock the sanding base in position while you tighten the locking screw (9) as shown in figure C1.

Fitting sanding sheets (fig. D)

- ◆ Hold the tool with the sanding base (3) facing upwards.
- ◆ Place the sanding sheet (11) onto the sanding base (3) making sure that the holes in the sheet (where applicable) line up with the holes in the base as shown in figure D.

Large detail sanding base

With this sanding base, you can use the tool as a detail sander or a flush sander.

Attaching the large detail sanding base (fig. E, F, F1)

For detail sanding, the pointed end should face forward (fig. E).

For sanding large areas, the pointed end should face to the rear (fig. F).

- ◆ Attach the sanding base as described above under "Attaching the random orbit sanding base".
- ◆ Press down on the sanding base until you hear it click into place.
- ◆ Replace the locking screw (9) and secure with the allen key (8) provided.
- ◆ Use a screwdriver (18) (not supplied) to lock the sanding base in position while you tighten the locking screw (9) as shown in figure F1.

Fitting sanding sheets (fig. G)

- ◆ Detach the two diamond-shaped tips (14) from the sanding sheet (12).
- ◆ Hold the tool with the sanding base facing upwards.

- ◆ Place the sanding sheet (12) onto the sanding base, making sure that the holes in the sheet (where applicable) line up with the holes in the base.

The diamond-shaped tip (13) can be reversed and replaced when worn.

- ◆ When the front part of the tip is worn, detach it from the sheet, reverse it and press it onto the sanding base again.
- ◆ When the whole tip is worn, remove it from the sanding base and fit a new diamond shaped tip (13).

Tip of the sanding base (fig. H)

When the sanding base tip (5) is worn, it can be reversed or replaced. When the diamond shaped tip holder (15) is worn, it can be replaced. Spare parts are available from your BLACK+DECKER dealer.

- ◆ Remove the screw (16).
- ◆ Reverse or replace the worn part.
- ◆ Fit and tighten the screw (16).

Finger attachment (fig. I)

The finger attachment is used for fine detail sanding.

- ◆ Remove the screw (16).
- ◆ Remove the diamond-shaped tip holder (15) from the sanding base.
- ◆ Fit the finger attachment (6) onto the sanding base.
- ◆ Fit and tighten the screw (16).
- ◆ Fit the appropriate sanding sheet (17) onto the finger attachment.

Use

Warning! Let the tool work at its own pace. Do not overload.

Warning! Do not cover the ventilation slots when using the tool. Make sure that the sanding base is flat on the workpiece.

- ◆ Store the tool with a base in place.
- ◆ Keep hands away from the spindle area on the tool.
- ◆ Do not rest fingers on the base during use.

Switching on and off (fig. J)

- ◆ To switch the tool on, set the on/off switch (1) to position I.
- ◆ To switch the tool off, set the on/off switch (1) to position O.

Emptying the dust canister (fig. K)

The dust canister (7) should be emptied after every ten minutes of use.


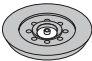

- ◆ Pull the dust canister (7) to the rear and off the tool away from the connection port (7a).
- ◆ Empty into a suitable receptacle and replace on tool.

Accessories

The performance of your tool depends on the accessory used.

BLACK+DECKER accessories are engineered to high quality standards and designed to enhance the performance of your tool. By using these accessories you will get the very best from your tool.

The accessories supplied with your sander depend upon the model that you have purchased. If you require an accessory that is listed below but is not supplied with your sander please visit our website at www.blackanddecker.eu

Item	Description	Purpose
	Large detail sanding base (4).	For medium to large areas. The large detail base can be used to sand into corners and to the edge of the workpiece.
	Random orbit sanding base (3).	For large areas. The random orbit base can be used for curved surfaces and when you need a high-quality finish.
	Detail finger (6).	For small hard-to-reach areas. The detail finger can be used for light sanding and for sanding into corners.

Hints for optimum use

- ◆ For user comfort, the tool can be operated with one or two hands (fig. L, M, N). Do not place your hands over the ventilation slots.
- ◆ Do not exert too much pressure on the tool.
- ◆ Regularly check the condition of the sanding sheet. Replace when necessary.
- ◆ Always sand with the grain of the wood.
- ◆ When sanding new layers of paint before applying another layer, use extra fine grit.
- ◆ On very uneven surfaces, or when removing layers of paint, start with a coarse grit. On other surfaces, start with a medium grit. In both cases, gradually change to a fine grit for a smooth finish.
- ◆ Consult your retailer for more information on available accessories.

Maintenance

Your BLACK+DECKER tool has been designed to operate over a long period of time with a minimum of maintenance. Continuous satisfactory operation depends upon proper tool care and regular cleaning.

Warning! Before performing any maintenance on the tool, remove unplug the charger before cleaning it.

- ◆ Regularly clean the ventilation slots in your tool using a soft brush or dry cloth.
- ◆ Regularly clean the motor housing using a damp cloth. Do not use any abrasive or solvent-based cleaner.

Mains plug replacement (U.K. & Ireland only)

If a new mains plug needs to be fitted:

- ◆ Safely dispose of the old plug.
- ◆ Connect the brown lead to the live terminal in the new plug.
- ◆ Connect the blue lead to the neutral terminal.

Warning! No connection is to be made to the earth terminal. Follow the fitting instructions supplied with good quality plugs. Recommended fuse: 5 A.

Protecting the environment



Separate collection. Products and batteries marked with this symbol must not be disposed of with normal household waste.

Products and batteries contain materials that can be recovered or recycled reducing the demand for raw materials. Please recycle electrical products and batteries according to local provisions.

Technical data

BEW200		
Input voltage	V_{AC}	230
Power input	W	200
No-load speed	min^{-1}	12000
Weight	kg	1.40 (with detail base), 1.34 (with ROS base)

Level of sound pressure according to EN 62841:

Sound pressure (L_{pA}) 82.5 dB(A), uncertainty (K) 3 dB(A)

Sound power (L_{WA}) 93.5 dB(A), uncertainty (K) 3 dB(A)

Vibration total values (triaux vector sum) according to EN 62841:

(a) 9.8 m/s², uncertainty (K) 1.5 m/s²

EC declaration of conformity

MACHINERY DIRECTIVE



BEW200 Sander

Black & Decker declares that these products described under "technical data" are in compliance with:

2006/42/EC, EN62841-1:2015, EN62841-2-4:2014.

These products also comply with Directive 2014/30/EU and 2011/65/EU. For more information, please contact Black & Decker at the following address or refer to the back of the manual.

The undersigned is responsible for compilation of the technical file and makes this declaration on behalf of Black & Decker.



R. Laverick
Director of Engineering
Black & Decker Europe, 210 Bath Road, Slough,
Berkshire, SL1 3YD
United Kingdom
31/07/2018

Guarantee

Black & Decker is confident of the quality of its products and offers consumers a 24 month guarantee from the date of purchase. This guarantee is in addition to and in no way prejudices your statutory rights. The guarantee is valid within the territories of the Member States of the European Union and the European Free Trade Area.

To claim on the guarantee, the claim must be in accordance with Black & Decker Terms and Conditions and you will need to submit proof of purchase to the seller or an authorised repair agent.

Terms and conditions of the Black & Decker 2 year guarantee and the location of your nearest authorised repair agent can be obtained on the Internet at www.2helpU.com, or by contacting your local Black & Decker office at the address indicated in this manual.

Please visit our website www.blackanddecker.co.uk to register your new Black & Decker product and receive updates on new products and special offers.