

**Robert Bosch GmbH**

Power Tools Division  
70745 Leinfelden-Echterdingen  
Germany

[www.bosch-pt.com](http://www.bosch-pt.com)

2 610 016 854 (2011.09) O / 157 UNI



2 610 016 854

## GWB 10,8-LI Professional

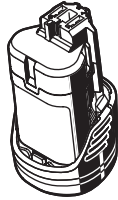
 **BOSCH**

**de** Originalbetriebsanleitung  
**en** Original instructions  
**fr** Notice originale  
**es** Manual original  
**pt** Manual original  
**it** Istruzioni originali  
**nl** Oorspronkelijke  
gebruiksaanwijzing  
**da** Original brugsanvisning  
**sv** Bruksanvisning i original  
**no** Original driftsinstruks  
**fi** Alkuperäiset ohjeet

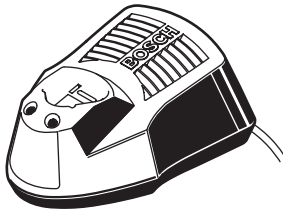
**el** Πρωτότυπο οδηγιών χρήσης  
**tr** Orijinal işletme talimatı  
**pl** Instrukcja oryginalna  
**cs** Původní návod k používání  
**sk** Pôvodný návod na použitie  
**hu** Eredeti használati utasítás  
**ru** Оригинальное руководство по  
эксплуатации  
**uk** Оригінальна інструкція з  
експлуатації  
**ro** Instrucțiuni originale  
**bg** Оригинална инструкция

**sr** Originalno uputstvo za rad  
**sl** Izvirna navodila  
**hr** Originalne upute za rad  
**et** Algupärane kasutusjuhend  
**lv** Instrukcijas oriģinālvalodā  
**lt** Originali instrukcija  
**ar** تعليمات التشغيل الأصلية  
**fa** راهنمای طرز کار اصلی

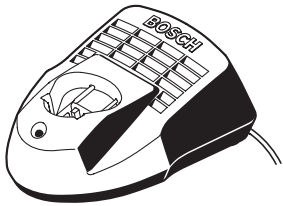




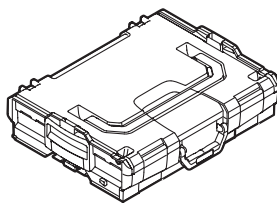
**10,8 V (Li-Ion)**  
2 607 336 014



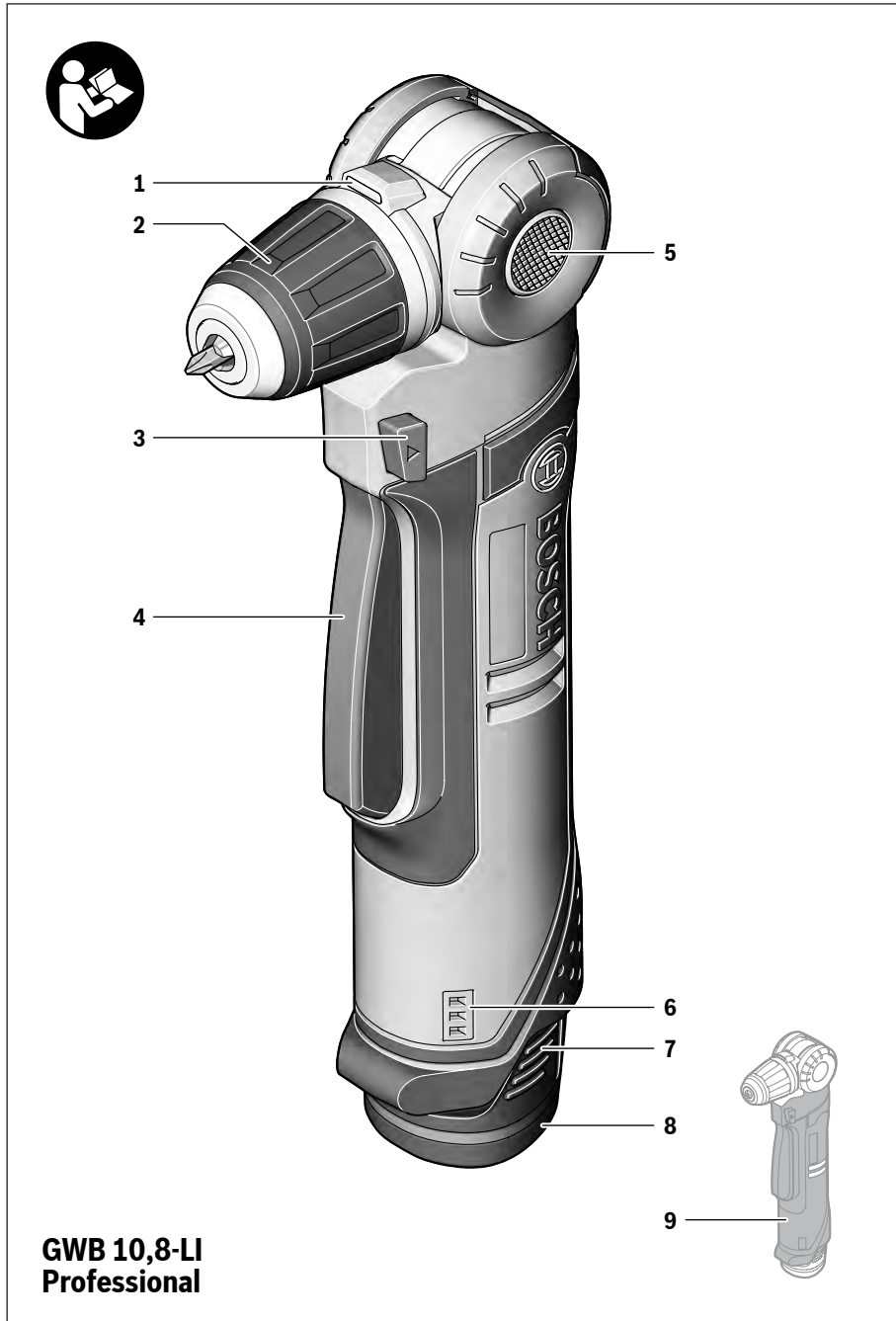
**AL 1130 CV**  
**(10,8 V)**  
2 607 225 134 (EU)  
2 607 225 136 (UK)  
2 607 225 138 (AU)



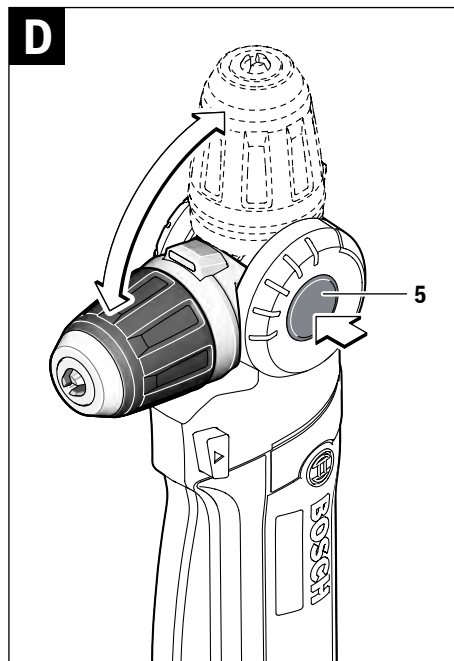
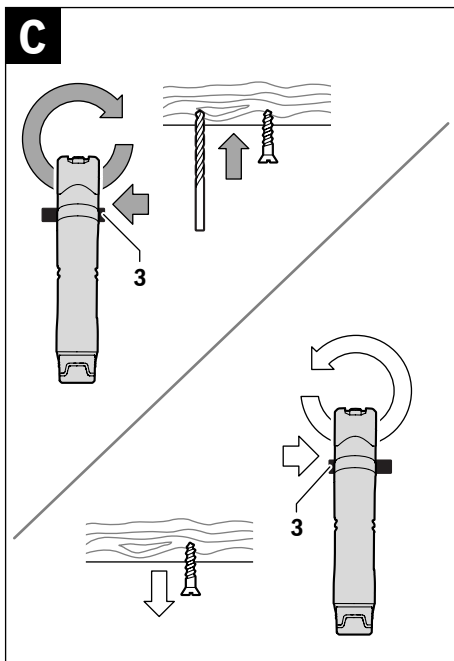
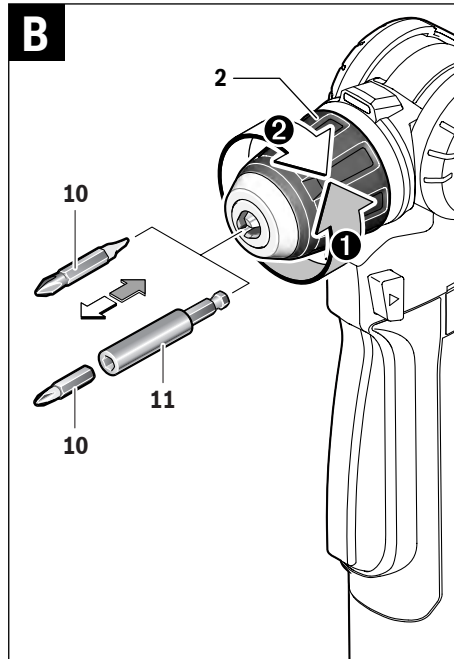
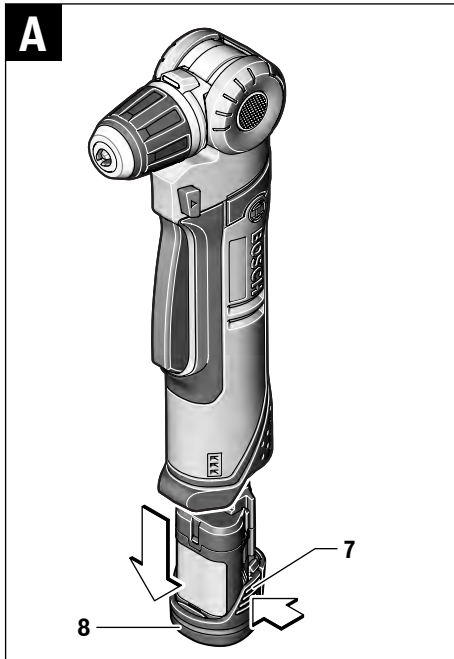
**AL 1115 CV**  
**(10,8 V)**  
2 607 225 514 (EU)  
2 607 225 516 (UK)



**L-BOXX 102**  
2 608 438 691



**GWB 10,8-LI  
Professional**



Beim Versand durch Dritte (z.B.: Lufttransport oder Spedition) sind besondere Anforderungen an Verpackung und Kennzeichnung zu beachten. Hier muss bei der Vorbereitung des Versandstückes ein Gefahrgut-Experte hinzugezogen werden.

Versenden Sie Akkus nur, wenn das Gehäuse unbeschädigt ist. Kleben Sie offene Kontakte ab und verpacken Sie den Akku so, dass er sich nicht in der Verpackung bewegt. Bitte beachten Sie auch eventuelle weiterführende nationale Vorschriften.

### Entsorgung



Elektrowerkzeuge, Akkus, Zubehör und Verpackungen sollen einer umweltgerechten Wiederverwertung zugeführt werden.

Werfen Sie Elektrowerkzeuge und Akkus/Batterien nicht in den Hausmüll!

#### Nur für EU-Länder:



Gemäß der europäischen Richtlinie 2002/96/EG müssen nicht mehr gebrauchsfähige Elektrowerkzeuge und gemäß der europäischen Richtlinie 2006/66/EG müssen defekte oder verbrauchte Akkus/Batterien getrennt gesammelt und einer umweltgerechten Wiederverwendung zugeführt werden.

Nicht mehr gebrauchsfähige Akkus/Batterien können direkt abgegeben werden bei:

**Deutschland**  
Recyclingzentrum Elektrowerkzeuge  
Osteroder Landstraße 337589 Kalefeld

**Schweiz**  
Batreac AG  
3752 Wimmis BE

#### Akkus/Batterien:



#### Li-Ion:

Bitte beachten Sie die Hinweise im Abschnitt „Transport“, Seite 10.

Änderungen vorbehalten.

## English

### Safety Notes

#### General Power Tool Safety Warnings

**⚠ WARNING** Read all safety warnings and all instructions. Failure to follow the warnings and instructions may result in electric shock, fire and/or serious injury.

Save all warnings and instructions for future reference.

The term “power tool” in the warnings refers to your mains-operated (corded) power tool or battery-operated (cordless) power tool.

#### Work area safety

- ▶ **Keep work area clean and well lit.** Cluttered or dark areas invite accidents.
- ▶ **Do not operate power tools in explosive atmospheres, such as in the presence of flammable liquids, gases or dust.** Power tools create sparks which may ignite the dust or fumes.
- ▶ **Keep children and bystanders away while operating a power tool.** Distractions can cause you to lose control.

#### Electrical safety

- ▶ **Power tool plugs must match the outlet. Never modify the plug in any way. Do not use any adapter plugs with earthed (grounded) power tools.** Unmodified plugs and matching outlets will reduce risk of electric shock.
- ▶ **Avoid body contact with earthed or grounded surfaces, such as pipes, radiators, ranges and refrigerators.** There is an increased risk of electric shock if your body is earthed or grounded.
- ▶ **Do not expose power tools to rain or wet conditions.** Water entering a power tool will increase the risk of electric shock.
- ▶ **Do not abuse the cord. Never use the cord for carrying, pulling or unplugging the power tool. Keep cord away from heat, oil, sharp edges and moving parts.** Damaged or entangled cords increase the risk of electric shock.
- ▶ **When operating a power tool outdoors, use an extension cord suitable for outdoor use.** Use of a cord suitable for outdoor use reduces the risk of electric shock.
- ▶ **If operating a power tool in a damp location is unavoidable, use a residual current device (RCD) protected supply.** Use of an RCD reduces the risk of electric shock.

#### Personal safety

- ▶ **Stay alert, watch what you are doing and use common sense when operating a power tool. Do not use a power tool while you are tired or under the influence of drugs, alcohol or medication.** A moment of inattention while operating power tools may result in serious personal injury.
- ▶ **Use personal protective equipment. Always wear eye protection.** Protective equipment such as dust mask, non-skid safety shoes, hard hat, or hearing protection used for appropriate conditions will reduce personal injuries.
- ▶ **Prevent unintentional starting. Ensure the switch is in the off-position before connecting to power source and/or battery pack, picking up or carrying the tool.** Carrying power tools with your finger on the switch or energising power tools that have the switch on invites accidents.
- ▶ **Remove any adjusting key or wrench before turning the power tool on.** A wrench or a key left attached to a rotating part of the power tool may result in personal injury.

## 12 | English

- ▶ **Do not overreach. Keep proper footing and balance at all times.** This enables better control of the power tool in unexpected situations.
- ▶ **Dress properly. Do not wear loose clothing or jewellery. Keep your hair, clothing and gloves away from moving parts.** Loose clothes, jewellery or long hair can be caught in moving parts.
- ▶ **If devices are provided for the connection of dust extraction and collection facilities, ensure these are connected and properly used.** Use of dust collection can reduce dust-related hazards.

**Power tool use and care**

- ▶ **Do not force the power tool. Use the correct power tool for your application.** The correct power tool will do the job better and safer at the rate for which it was designed.
- ▶ **Do not use the power tool if the switch does not turn it on and off.** Any power tool that cannot be controlled with the switch is dangerous and must be repaired.
- ▶ **Disconnect the plug from the power source and/or the battery pack from the power tool before making any adjustments, changing accessories, or storing power tools.** Such preventive safety measures reduce the risk of starting the power tool accidentally.
- ▶ **Store idle power tools out of the reach of children and do not allow persons unfamiliar with the power tool or these instructions to operate the power tool.** Power tools are dangerous in the hands of untrained users.
- ▶ **Maintain power tools. Check for misalignment or binding of moving parts, breakage of parts and any other condition that may affect the power tool's operation. If damaged, have the power tool repaired before use.** Many accidents are caused by poorly maintained power tools.
- ▶ **Keep cutting tools sharp and clean.** Properly maintained cutting tools with sharp cutting edges are less likely to bind and are easier to control.
- ▶ **Use the power tool, accessories and tool bits etc. in accordance with these instructions, taking into account the working conditions and the work to be performed.** Use of the power tool for operations different from those intended could result in a hazardous situation.

**Battery tool use and care**

- ▶ **Recharge only with the charger specified by the manufacturer.** A charger that is suitable for one type of battery pack may create a risk of fire when used with another battery pack.
- ▶ **Use power tools only with specifically designated battery packs.** Use of any other battery packs may create a risk of injury and fire.
- ▶ **When battery pack is not in use, keep it away from other metal objects, like paper clips, coins, keys, nails, screws or other small metal objects, that can make a connection from one terminal to another.** Shorting the battery terminals together may cause burns or a fire.
- ▶ **Under abusive conditions, liquid may be ejected from the battery; avoid contact. If contact accidentally oc-**

**curs, flush with water. If liquid contacts eyes, additionally seek medical help.** Liquid ejected from the battery may cause irritation or burns.

**Service**

- ▶ **Have your power tool serviced by a qualified repair person using only identical replacement parts.** This will ensure that the safety of the power tool is maintained.

**Safety Warnings for Drills and Screwdriver**

- ▶ **Use auxiliary handle(s), if supplied with the tool.** Loss of control can cause personal injury.
- ▶ **Hold power tool by insulated gripping surfaces, when performing an operation where the cutting accessory or fastener may contact hidden wiring.** Cutting accessory and fasteners contacting a "live" wire may make exposed metal parts of the power tool "live" and could give the operator an electric shock.
- ▶ **Use appropriate detectors to determine if utility lines are hidden in the work area or call the local utility company for assistance.** Contact with electric lines can lead to fire and electric shock. Damaging a gas line can lead to explosion. Penetrating a water line causes property damage.
- ▶ **Switch off the power tool immediately when the tool insert jams. Be prepared for high reaction torque that can cause kickback.** The tool insert jams when:
  - the power tool is subject to overload or
  - it becomes wedged in the workpiece.
- ▶ **Hold the machine with a firm grip.** High reaction torque can briefly occur while driving in and loosening screws.
- ▶ **Secure the workpiece.** A workpiece clamped with clamping devices or in a vice is held more secure than by hand.
- ▶ **Always wait until the machine has come to a complete stop before placing it down.** The tool insert can jam and lead to loss of control over the power tool.
- ▶ **Do not open the battery.** Danger of short-circuiting.



**Protect the battery against heat, e. g., against continuous intense sunlight, fire, water, and moisture.** Danger of explosion.

- ▶ **In case of damage and improper use of the battery, vapours may be emitted. Provide for fresh air and seek medical help in case of complaints.** The vapours can irritate the respiratory system.
- ▶ **Use the battery only in conjunction with your Bosch power tool.** This measure alone protects the battery against dangerous overload.
- ▶ **Use only original Bosch batteries with the voltage listed on the nameplate of your power tool.** When using other batteries, e. g. imitations, reconditioned batteries or other brands, there is danger of injury as well as property damage through exploding batteries.

## Product Description and Specifications



**Read all safety warnings and all instructions.** Failure to follow the warnings and instructions may result in electric shock, fire and/or serious injury.

While reading the operating instructions, unfold the graphics page for the machine and leave it open.

### Intended Use

The machine is intended for driving in and loosening screws as well as for drilling in wood, metal, ceramic and plastic, especially at hard to reach locations.

### Product Features

The numbering of the product features refers to the illustration of the machine on the graphics page.

- 1 "PowerLight"
- 2 Keyless chuck
- 3 Rotational direction switch
- 4 On/Off switch
- 5 Release button for angle selection of drill head
- 6 Battery charge-control indicator
- 7 Battery unlocking button\*
- 8 Battery\*
- 9 Handle (insulated gripping surface)
- 10 Screwdriver bit\*
- 11 Universal bit holder\*

\*Accessories shown or described are not part of the standard delivery scope of the product. A complete overview of accessories can be found in our accessories program.

### Technical Data

Cordless angle drill/driver	GWB 10,8-LI Professional	
Article number		3 601 C90 9..
Rated voltage	V=	10.8
No-load speed	min <sup>-1</sup>	0 – 1300
Max. torque for hard/soft screw-driving application according to ISO 5393	Nm	11/3
Max. screw dia.	mm	6
Max. drilling dia.		
– Steel	mm	10
– Wood	mm	10
Weight according to EPTA-Procedure 01/2003	kg	1.2
Please observe the article number on the type plate of your machine. The trade names of the individual machines may vary.		

## Noise/Vibration Information

Measured sound values determined according to EN 60745. Typically the A-weighted sound pressure level of the product is 72 dB(A). Uncertainty K = 3 dB. The noise level when working can exceed 80 dB(A).

### Wear hearing protection!

Vibration total values  $a_{H1}$  (triax vector sum) and uncertainty K determined according to EN 60745:

Drilling into metal:  $a_{H1} = 3.5 \text{ m/s}^2$ ,  $K = 1.5 \text{ m/s}^2$ ,

Screwdriving:  $a_{H1} = 3.5 \text{ m/s}^2$ ,  $K = 1.5 \text{ m/s}^2$ .

The vibration emission level given in this information sheet has been measured in accordance with a standardised test given in EN 60745 and may be used to compare one tool with another. It may be used for a preliminary assessment of exposure.

The declared vibration emission level represents the main applications of the tool. However if the tool is used for different applications, with different accessories or poorly maintained, the vibration emission may differ. This may significantly increase the exposure level over the total working period.

An estimation of the level of exposure to vibration should also take into account the times when the tool is switched off or when it is running but not actually doing the job. This may significantly reduce the exposure level over the total working period.

Identify additional safety measures to protect the operator from the effects of vibration such as: maintain the tool and the accessories, keep hands warm, organise work patterns.

## Declaration of Conformity

We declare under our sole responsibility that the product described under "Technical Data" is in conformity with the following standards or standardization documents: EN 60745 according to the provisions of the directives 2011/65/EU, 2004/108/EC, 2006/42/EC.

Technical file (2006/42/EC) at:  
Robert Bosch GmbH, PT/ETM9,  
D-70745 Leinfelden-Echterdingen

Dr. Egbert Schneider  
Senior Vice President  
Engineering

Dr. Eckerhard Strötgen  
Engineering Director  
PT/ESI

Robert Bosch GmbH, Power Tools Division  
D-70745 Leinfelden-Echterdingen  
20.09.2011

## Assembly

### Battery Charging (see figure A)

► Use only the battery chargers listed on the accessories page. Only these battery chargers are matched to the lithium ion battery of your power tool.

## 14 | English

**Note:** The battery is supplied partially charged. To ensure full capacity of the battery, completely charge the battery in the battery charger before using your power tool for the first time.

The lithium-ion battery can be charged at any time without reducing its service life. Interrupting the charging procedure does not damage the battery.

The lithium-ion battery is protected against deep discharging by the "Electronic Cell Protection (ECP)". When the battery is empty, the machine is switched off by means of a protective circuit: The inserted tool no longer rotates.

**⚠ WARNING** Do not continue to press the On/Off switch after the machine has been automatically switched off. The battery can be damaged.

To remove the battery **8** press the unlocking buttons **7** and pull out the battery downwards. **Do not exert any force.**

The battery is equipped with a NTC temperature control which allows charging only within a temperature range of between 0 °C and 45 °C. A long battery service life is achieved in this manner.

Observe the notes for disposal.

### Changing the Tool (see figure B)

► **Before any work on the machine itself (e. g. maintenance, tool change, etc.) as well as during transport and storage, remove the battery from the power tool.**

There is danger of injury when unintentionally actuating the On/Off switch.

The drill spindle is locked when the On/Off switch **4** is not pressed. This makes quick, convenient and easy changing of the tool in the drill chuck possible.

Open the keyless chuck **2** by turning in rotation direction **1**, until the tool can be inserted. Insert the tool.

Firmly tighten the collar of the keyless chuck **2** by hand in rotation direction **2**.

### Dust/Chip Extraction

► Dusts from materials such as lead-containing coatings, some wood types, minerals and metal can be harmful to one's health. Touching or breathing-in the dusts can cause allergic reactions and/or lead to respiratory infections of the user or bystanders.

Certain dusts, such as oak or beech dust, are considered as carcinogenic, especially in connection with wood-treatment additives (chromate, wood preservative). Materials containing asbestos may only be worked by specialists.

- Provide for good ventilation of the working place.
- It is recommended to wear a P2 filter-class respirator.

Observe the relevant regulations in your country for the materials to be worked.

► **Prevent dust accumulation at the workplace.** Dusts can easily ignite.

## Operation

### Starting Operation

#### Inserting the Battery

► **Use only original Bosch lithium ion batteries with the voltage listed on the nameplate of your power tool.** Using other batteries can lead to injuries and pose a fire hazard.

**Note:** Use of batteries not suitable for the machine can lead to malfunctions or cause damage to the power tool.

Set the rotational direction switch **3** to the centre position in order to avoid unintentional starting. Insert the charged battery **8** into the handle so that it can be felt to engage and faces flush against the handle.

#### Reversing the Rotational Direction (see figure C)

The rotational direction switch **3** is used to reverse the rotational direction of the machine. However, this is not possible with the On/Off switch **4** actuated.

**Right Rotation:** For drilling and driving in screws, push the rotational direction switch **3** left to the stop.

**Left Rotation:** For loosening or unscrewing screws, push the rotational direction switch **3** right to the stop.

#### Switching On and Off

To **start** the machine, press the On/Off switch **4** and keep it pressed.

The power light **1** lights up when the On/Off switch **4** is slightly or completely pressed, and allows the work area to be illuminated when lighting conditions are insufficient.

To switch off the machine, **release** the On/Off switch **4**.

#### Adjusting the Speed

The speed of the switched on power tool can be variably adjusted, depending on how far the On/Off switch **4** is pressed.

Light pressure on the On/Off switch **4** results in a low rotational speed. Further pressure on the switch results in an increase in speed.

#### Fully automatic spindle locking (Auto-lock)

When the On/Off switch **4** is not pressed, the drill spindle and thus the tool holder are locked.

This enables screws to be screwed in, even when the battery is empty and allows for the machine to be used as a screwdriver.

#### Run-on Brake

When the On/Off switch **4** is released, the chuck brakes to a stop, thus preventing the run-on of the tool.

When driving in screws, wait until the screw is screwed in flush with the material and then release the On/Off switch **4**. By doing so, the head of the screw does not penetrate into the material.

#### Battery Charge-control Indication

The battery charge-control indicator **6** consists of three green LEDs, and indicates the charge condition of the battery for a few seconds when the On/Off switch **4** is pressed halfway or fully.



LED	Capacity
Continuous lighting 3 x green	≥ 2/3
Continuous lighting 2 x green	≥ 1/3
Continuous lighting 1 x green	< 1/3
Flashing light 1 x green	Reserve

#### Temperature Dependent Overload Protection

When using as intended for, the power tool cannot be subject to overload. When the load is too high or the allowable battery temperature of 70 °C is exceeded, the electronic control switches off the power tool until the temperature is in the optimum temperature range again.

#### Protection Against Deep Discharging

The lithium-ion battery is protected against deep discharging by the "Electronic Cell Protection (ECP)". When the battery is empty, the machine is switched off by means of a protective circuit: The inserted tool no longer rotates.

#### Angle Selection of Drill Head (see figure D)

The drill head can be locked in 5 different angle positions. Push the release button **5** and swivel the tool head to the required position. Then, let go of the release button **5** again.

- **Before starting operation, check if the drill head is locked in the respective angle position.** Danger of injury.

#### Working Advice

- **Apply the power tool to the screw only when it is switched off.** Rotating tool inserts can slip off.

After longer periods of working at low speed, allow the machine to cool down by running it for approx. 3 minutes at maximum speed with no load.

For drilling in metal, use only perfectly sharpened HSS drill bits (HSS = high-speed steel). The appropriate quality is guaranteed by the Bosch accessories program.

Before screwing larger, longer screws into hard materials, it is advisable to predrill a pilot hole with the core diameter of the thread to approx.  $\frac{2}{3}$  of the screw length.

## Maintenance and Service

### Maintenance and Cleaning

- **Before any work on the machine itself (e. g. maintenance, tool change, etc.) as well as during transport and storage, remove the battery from the power tool.**

There is danger of injury when unintentionally actuating the On/Off switch.

- **For safe and proper working, always keep the machine and ventilation slots clean.**

When the battery is no longer operative, please refer to an authorised after-sales service agent for Bosch power tools.

If the machine should fail despite the care taken in manufacturing and testing procedures, repair should be carried out by an after-sales service centre for Bosch power tools.

In all correspondence and spare parts order, please always include the 10-digit article number given on the type plate of the machine.

### After-sales Service and Customer Assistance

Our after-sales service responds to your questions concerning maintenance and repair of your product as well as spare parts. Exploded views and information on spare parts can also be found under:

**www.bosch-pt.com**

Our customer service representatives can answer your questions concerning possible applications and adjustment of products and accessories.

#### Great Britain

Robert Bosch Ltd. (B.S.C.)  
P.O. Box 98  
Broadwater Park  
North Orbital Road  
Denham  
Uxbridge  
UB 9 5HJ  
Tel. Service: +44 (0844) 736 0109  
Fax: +44 (0844) 736 0146  
E-Mail: boschservicecentre@bosch.com

#### Ireland

Origo Ltd.  
Unit 23 Magna Drive  
Magna Business Park  
City West  
Dublin 24  
Tel. Service: +353 (01) 4 66 67 00  
Fax: +353 (01) 4 66 68 88

#### Australia, New Zealand and Pacific Islands

Robert Bosch Australia Pty. Ltd.  
Power Tools  
Locked Bag 66  
Clayton South VIC 3169  
Customer Contact Center  
Inside Australia:  
Phone: +61 (01300) 307 044  
Fax: +61 (01300) 307 045  
Inside New Zealand:  
Phone: +64 (0800) 543 353  
Fax: +64 (0800) 428 570  
Outside AU and NZ:  
Phone: +61 (03) 9541 5555  
www.bosch.com.au

#### Republic of South Africa

**Customer service**  
Hotline: +27 (011) 6 51 96 00

#### Gauteng – BSC Service Centre

35 Roper Street, New Centre  
Johannesburg  
Tel.: +27 (011) 4 93 93 75  
Fax: +27 (011) 4 93 01 26  
E-Mail: bsctools@icon.co.za