

Mains insert for radio application module

Order no.: 8502 01 00

Operating instructions

1. Safety instructions

Electrical equipment must only be installed and assembled by a qualified electrician in accordance with the relevant installation standards, directives, determinations and safety and accident prevention directives of the country.

Failure to comply with these instructions may result in damage to the device, fire or other hazards.

Hazard due to electric shock. Do not operate device without the application module.

These instructions are an integral component of the product, and must be retained by the end user.

2. Design of the device

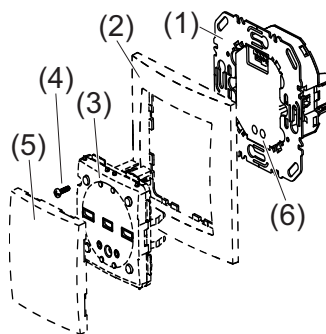


Figure 1: Power supply

- (1) Power supply
- (2) Frame
- (3) Application module e.g. from a radio push-button
- (4) Screw for dismantling protection (not R.1/R.3)
- (5) Radio button design cover
- (6) Connecting terminals

3. Function

Correct use

- Mains supply for radio application modules
- Only suitable for use in indoor areas, no drip or spray water.
- Installation in wall box according to DIN 49073.
- Operate with suitable application module (see Chapter 6.2, "Accessories")

4. Operation

These instructions describe the installation of the power supply. The operation is described in the instructions of the respective application module.

5. Information for electricians

5.1 Assembly and electrical circuiting



DANGER!

Touching live parts can result in an electric shock.

An electric shock can be lethal.

Disconnect the connecting cables before working on the device and cover all live parts in the area!

Circuiting and mounting the power supply

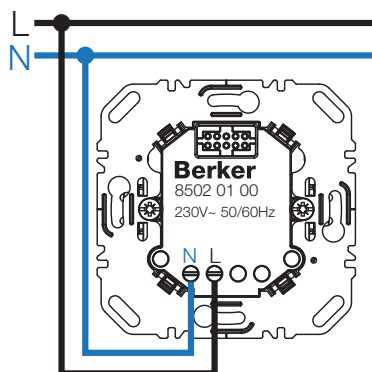


Figure 2: Power supply circuiting diagram

A MCB max. 16 A is installed as device protection.

- Connect power supply according to circuiting diagram (Figure 2).
- Mount the mains insert in a wall box. The connecting terminals must be at the bottom.
- Attach the frame and application module (see instructions for application module).

6. Appendix

6.1 Technical data

Rated voltage	AC 230 V, + 10 % /- 15 %
Mains frequency	50/60 Hz
MCB	max. 16 A
Standby power consumption	< 0.1 W
Protection class	IP20
Relative humidity	0 ... 65 % (no condensation)
Ambient temperature	-5°C ... +45°C
Storage/transport temperature	-20°C ... +60°C
Connecting terminal	1 x 4 mm ² or 2 x 2.5 mm ²
Mounting orientation	connecting terminals downwards
Housing installation depth	22 mm
Claw guide installation depth	32 mm

6.2 Accessories

1gang radio button quicklink	order no. 8514 51 xx
2gang radio button quicklink	order no. 8514 61 xx
4gang radio button quicklink	order no. 8564 81 xx
Radio motion detector comfort 1.1 m quicklink	order no. 8534 51 xx
Radio motion detector comfort 2.2 m quicklink	order no. 8534 61 xx
Radio timer quicklink	order no. 8574 52 xx
Radio push-button for blinds quicklink	order no. 8524 51 xx
Radio blind time switch quicklink	order no. 8574 51 xx

6.3 Warranty

We reserve the right to make technical and formal changes to the product in the interest of technical progress.

Our products are under guarantee within the scope of the statutory provisions.

If you have a warranty claim, please contact the point of sale or ship the device postage free with a description of the fault to the appropriate regional representative.