

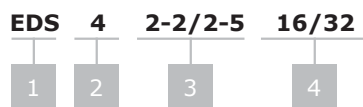
Distribution boxes EDS

Distribution boxes EDS

Degree of protection - IP 44, IP 54
 Nominal current 16 A, 32 A / 5P
 Nominal voltage 250 V
 Mechanical resistance of boxes IK 07, IK 09, IK 10
 Products do not contain substances banned under the RoHS directive.

Ordering:

1 - type
 2 - number of modules
 3 - 2 x schuko version / 2 x 5 poles
 4 - Nominal current 16A, 32A



EDS 4 mini

Type	Code No.	Sockets applied			Circuit breakers		Degree of protection IP	Weight [kg]	Packaging [pcs]
		16A/5P	32A/5P	Schuko 250V	C16/1	C16/3			
EDS4m 2-2/1-5 16	004483110	1		2	1	1	44	0,4	1
EDS4m 2-2/1-5 32	004483111		1	2	1	1	44	0,4	1



EDS 4

Type	Code No.	Sockets applied			Circuit breakers		Degree of protection IP	Weight [kg]	Packaging [pcs]
		16A/5P	32A/5P	Schuko 250V	C16/1	C16/3			
EDS4 2-2/2-5 16	004483100	1		2	1	1	44	0,5	1
EDS4 2-2/2-5 32	004483101		1	2	1	1	44	0,5	1
EDS4 2-2/2-5 16/32	004483102	1		2	1	1	44	0,5	1



EDS 4 H with handle

Type	Code No.	Sockets applied			Circuit breakers		Degree of protection IP	Weight [kg]	Packaging [pcs]
		16A/5P	32A/5P	Schuko 250V	C16/1	C16/3			
EDS4H 2-2/2-5 16	004483120	1		2	1	1	44	0,5	1
EDS4H 2-2/2-5 32	004483121		1	2	1	1	44	0,5	1
EDS4H 2-2/2-5 16/32	004483122	1		2	1	1	44	0,5	1



EDS 5

Type	Code No.	Sockets applied			Circuit breakers			Degree of protection IP	Weight [kg]	Packaging [pcs]
		16A/5P	32A/5P	Schuko 250V	C16/1	C16/3	C32/3			
EDS5 2-2/1-5 16	004483150	1		2	2	1	54	0,7	1	
EDS5 2-2/1-5 32	004483151		1	2	2	1	54	0,7	1	



EDS 7

Type	Code No.	Sockets applied			Circuit breakers			Degree of protection IP	Weight [kg]	Packaging [pcs]
		16A/5P	32A/5P	Schuko 250V	C16/1	C16/3	C32/3			
EDS7 1-2/2-5 16/32	004483200	1	1	1	1	1	1	54	0,9	1

EDS 8

Type	Code No.	Sockets applied			Circuit breakers			Degree of protection IP	Weight [kg]	Packaging [pcs]
		16A/5P	32A/5P	Schuko 250V	C16/1	C16/3	C32/3			
EDS8 2-2/1-5 16	004483250	1		1	1	1		44	1	1
EDS8 2-2/1-5 32	004483251		1	1	1		1	44	1	1
EDS8 6-2/0-0 16	004483252			6	6			44	1	1

*RCD or switch



EDS 8H with handle

Type	Code No.	Sockets applied			Circuit breakers			Degree of protection IP	Weight [kg]	Packaging [pcs]
		16A/5P	32A/5P	Schuko 250V	C16/1	C16/3	C32/3			
EDS8H 2-2/1-5 16	004483280	1		1	1	1		44	1,2	1
EDS8H 2-2/1-5 32	004483281		1	1	1		1	44	1,2	1
EDS8H 6-2/0-0 16	004483282			6	6			44	1,2	1

*RCD or switch



EDS 11

Type	Code No.	Sockets applied			Circuit breakers			Degree of protection IP	Weight [kg]	Packaging [pcs]
		16A/5P	32A/5P	Schuko 250V	C16/1	C16/3	C32/3			
EDS11 4-2/2-5 16*	004483300	2		4	4	2		54	2	1
EDS11 4-2/2-5 32*	004483301		2	4	4		2	54	2	1
EDS11 4-2/2-5 16/32*	004483302	1	1	4	4	1	1	54	2	1
EDS11 4-5 16*	004483303	3				3		54	2	1
EDS11 4-5 32*	004483304		3				3	54	2	1
EDS11 4-5 16/32*	004483305	1	2			1	2	54	2	1
EDS11 2-2/3-5 16/32	004483306	2	1	2	2	2	1	54	2	1
EDS11 2-2/3-5 32/16	004483307	1	2	2	2	1	2	54	2	1
EDS11 7-2 16*	004483308			7	7			54	2	1

*RCD or switch

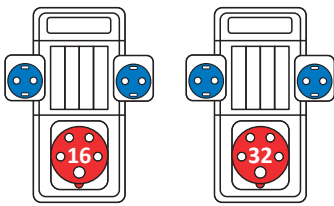


Distribution boxes EDS

Technical data

Degree of protection	IP 44, IP 54
Nominal current	16 A, 32 A / 5P
Nominal voltage	250 V
Products do not contain substances banned under Rohs directive	

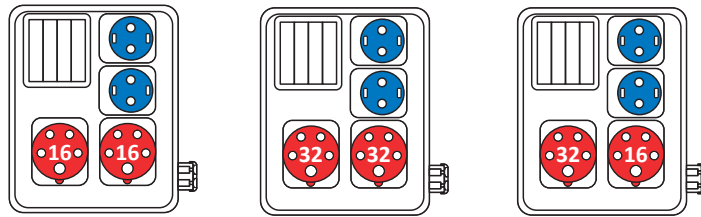
EDS 4 mini



EDS4m 2-2/1-5 16

EDS4m 2-2/1-5 32

EDS 4

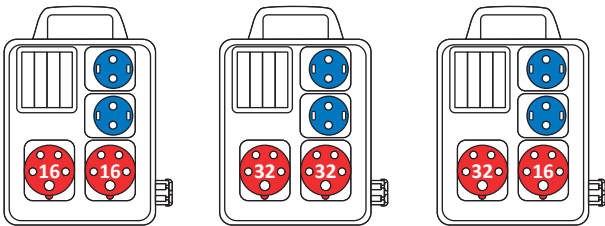


EDS4 2-2/2-5 16

EDS4 2-2/2-5 32

EDS4 2-2/2-5 16/32

EDS 4H

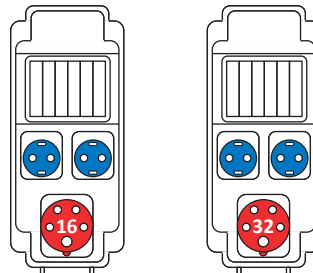


EDS4H 2-2/2-5 16

EDS4H 2-2/2-5 32

EDS4H 2-2/2-5 16/32

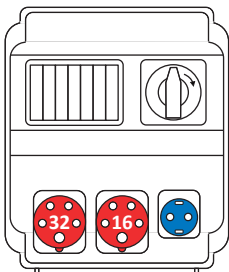
EDS 5



EDS5 2-2/1-5 16

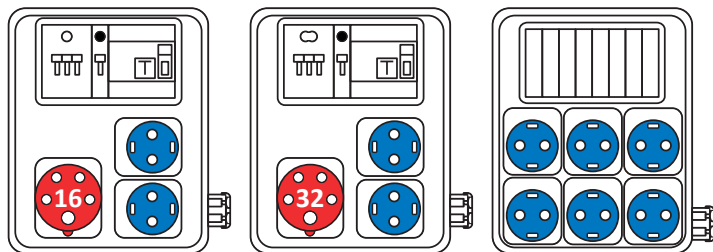
EDS5 2-2/1-5 32

EDS 7



EDS7 1-2/2-5 16/32

EDS 8



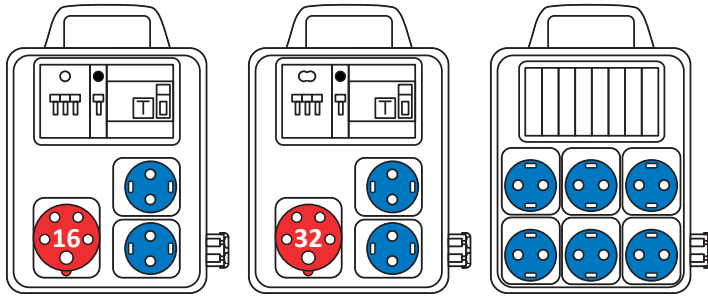
EDS8 2-2/1-5 16

EDS8 2-2/1-5 32

EDS8 6-2/0-0 16

Technical data

EDS 8 H

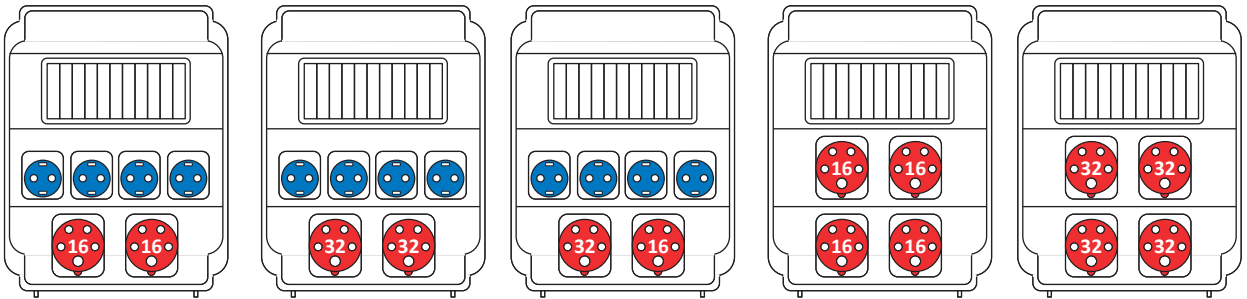


EDS8H 2-2/1-5 16

EDS8H 2-2/1-5 32

EDS8H 6-2/0-0 16

EDS 11



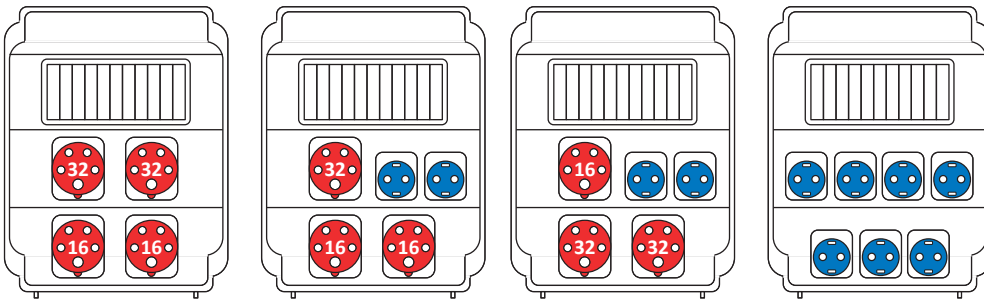
EDS11 4-2/2-5 16

EDS11 4-2/2-5 32

EDS11 4-2/2-5 16/32

EDS11 4-5 16

EDS11 4-5 32



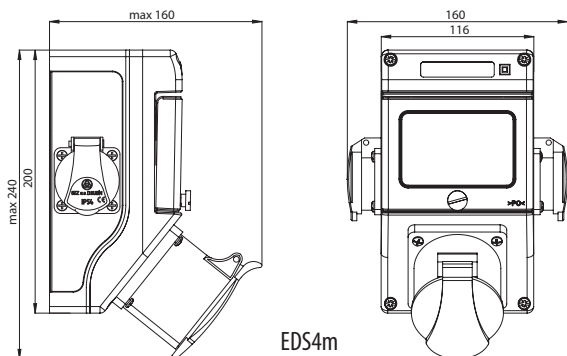
EDS11 4-5 16/32

EDS11 2-2/3-5 16/32

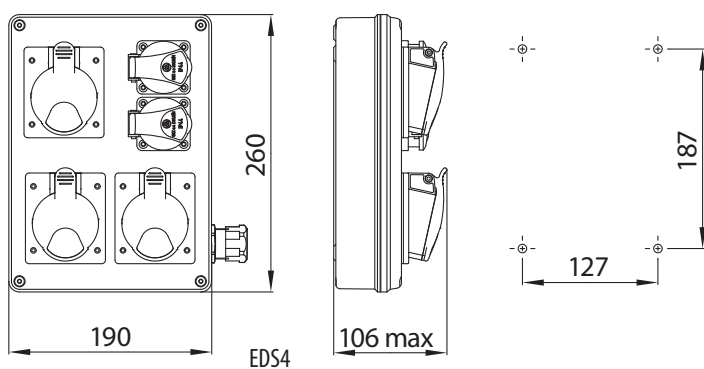
EDS11 2-2/3-5 32/16

EDS11 7-2 16

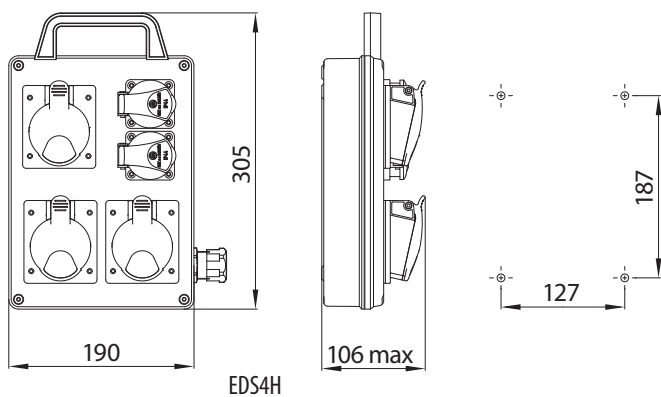
Dimensions



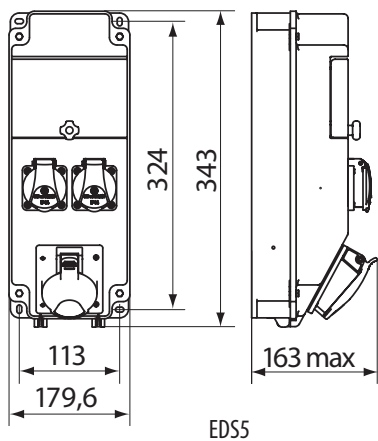
EDS4m



EDS4



EDS4H



EDS5

Technical data

