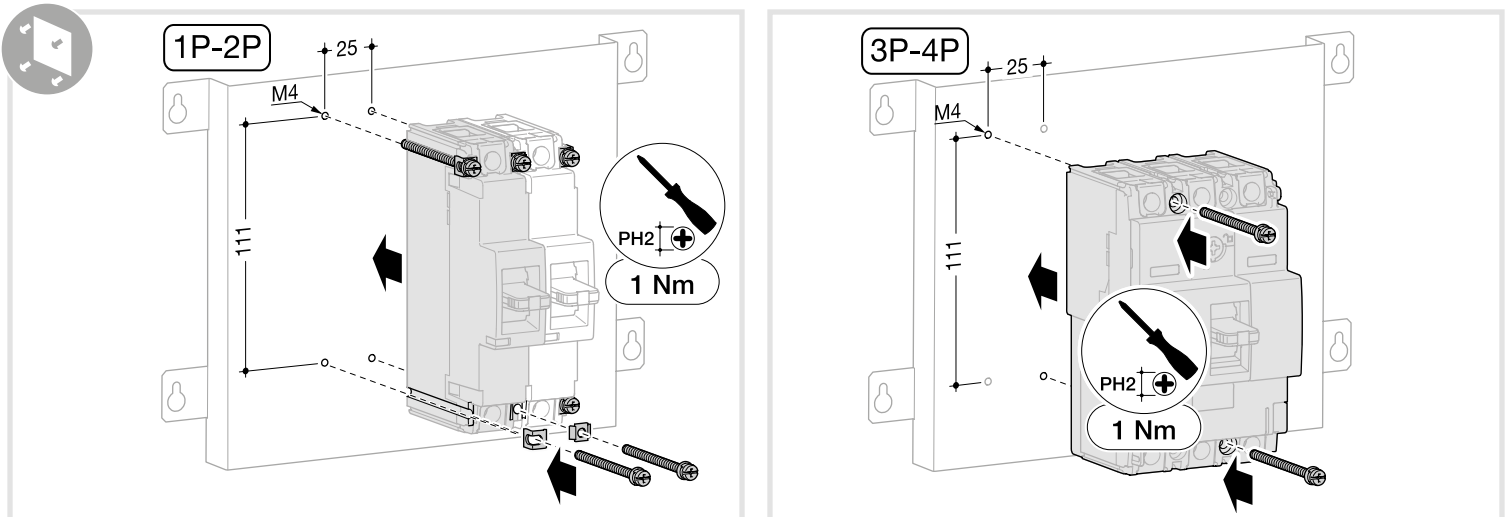
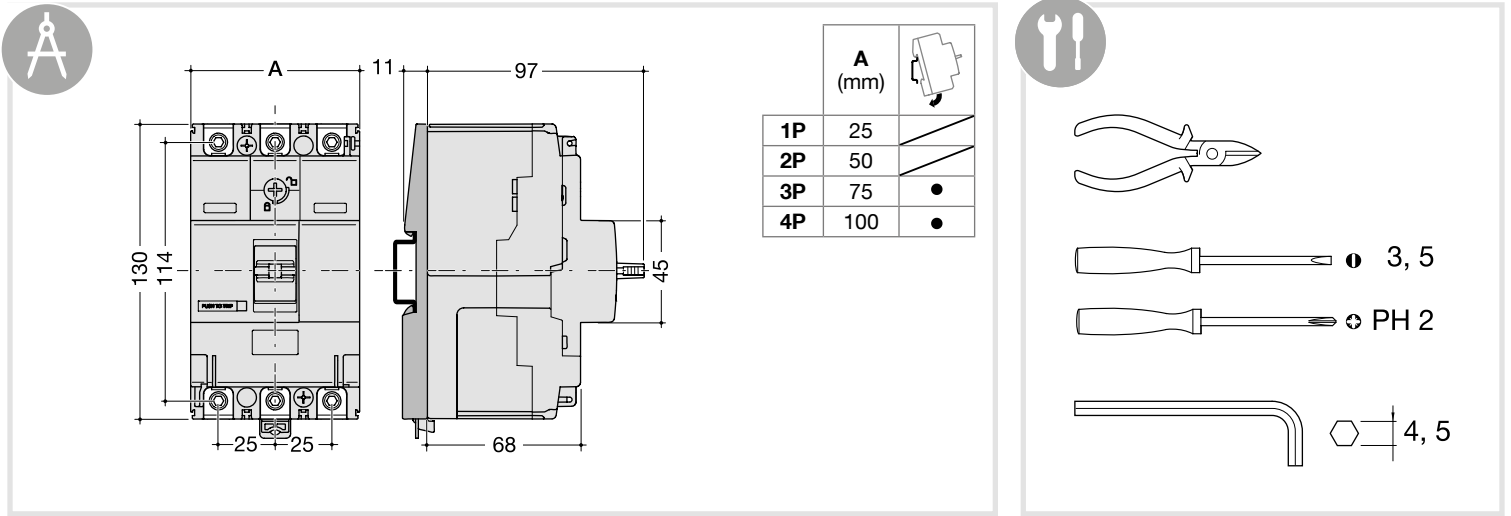
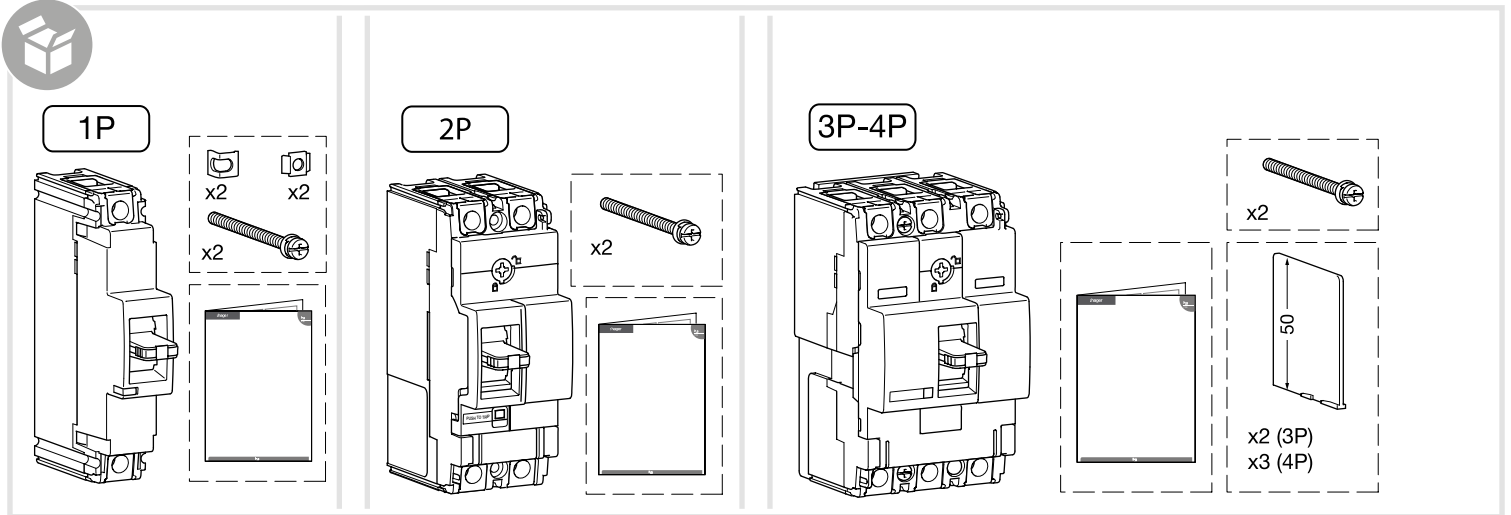


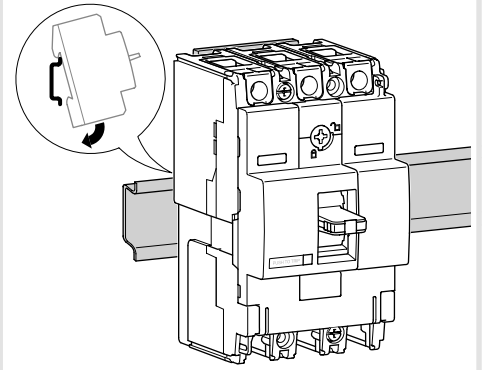
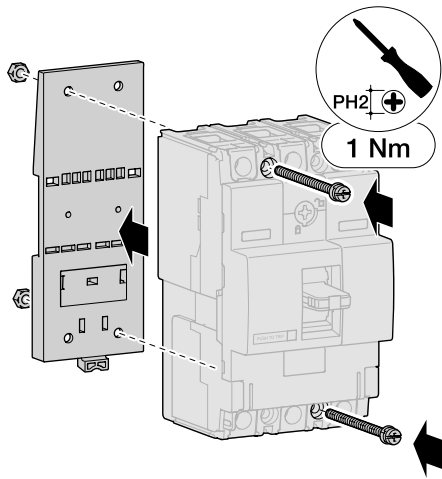
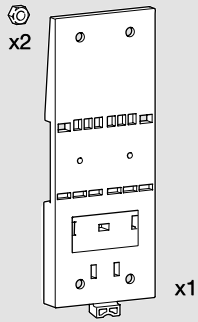
6LE001633Aa

x160

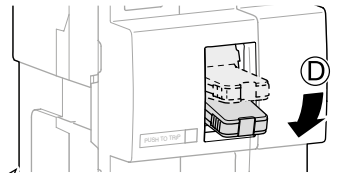
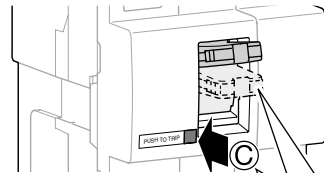
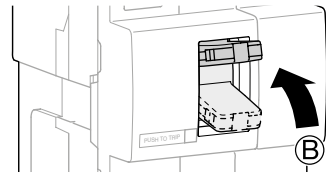
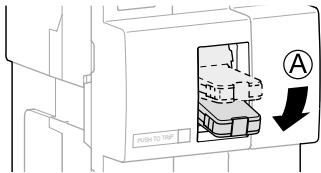




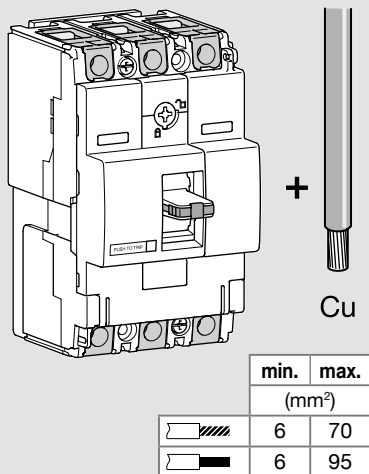
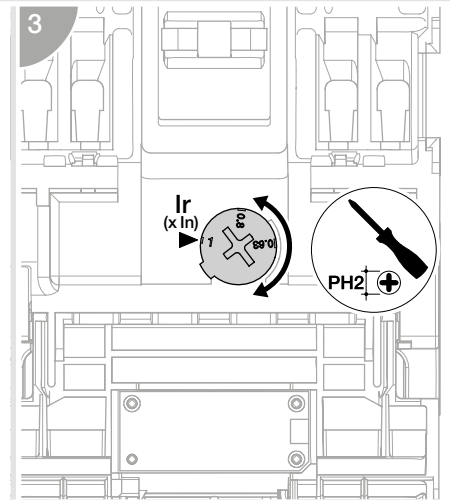
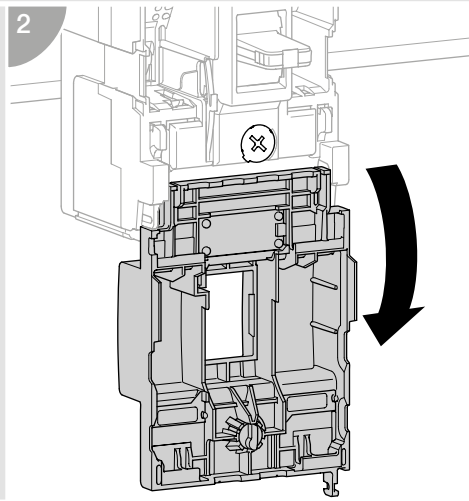
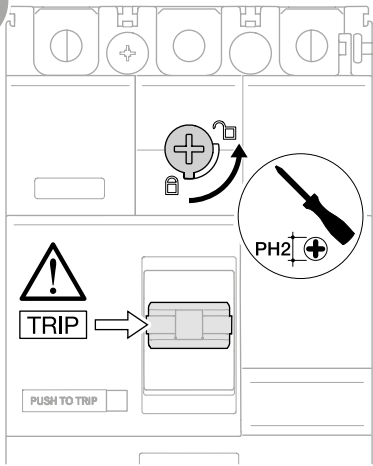
HYA033H (3P - 4P)



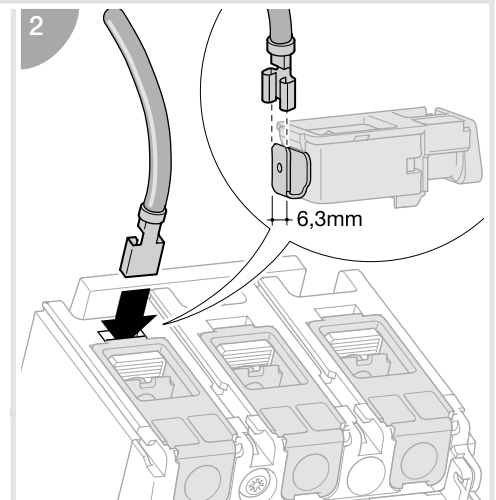
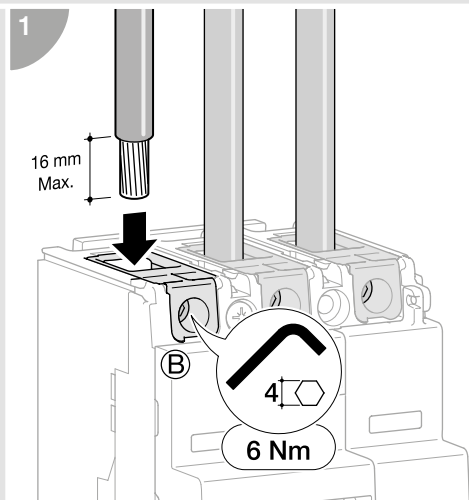
TRIP → OFF → ON → TRIP → OFF



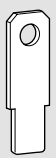
Clack!



	min.	max.
	(mm ²)	
	6	70
	6	95

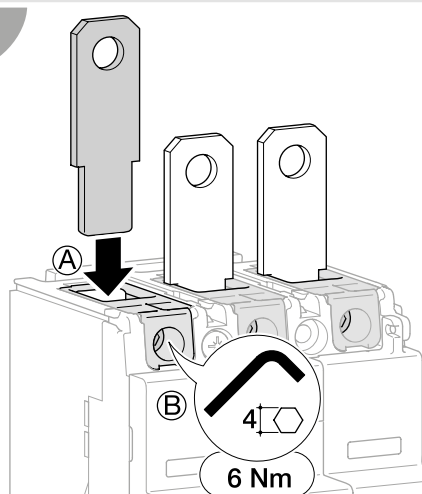


0 **HYA013H**



x3 (3P)
x4 (4P)

1



A

B

4

6 Nm

2

3P

28

+20

Ø 8,3

67


203

92

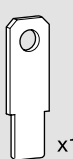
4P

25 25 25

0 **HYA014H (3P)**




x2




x1

HYA015H (4P)

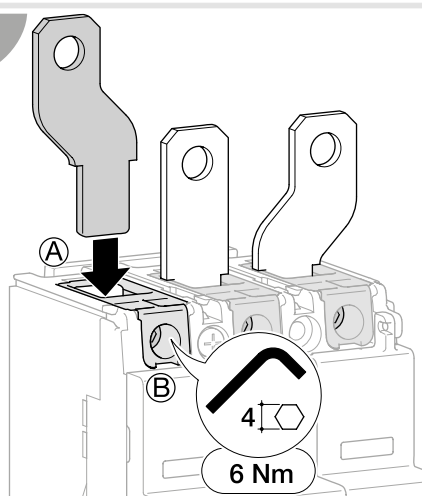


x2



x2

1



A

B

4

6 Nm

2

3P

28

+20

Ø 8,3

87

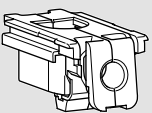
203

122

4P


35 35 35

0 **HYA005H (3P)**
HYA006H (4P)

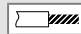


x3 (3P)
x4 (4P)

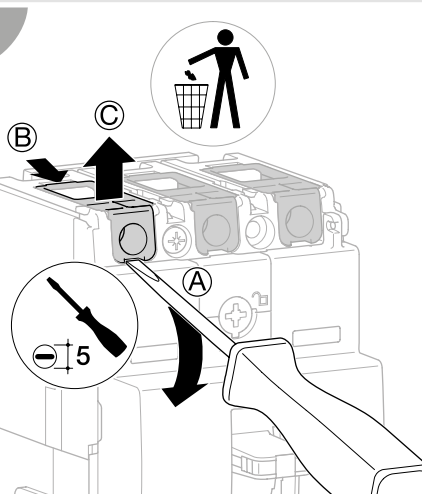
+



Al

	min.	max.
	(mm ²)	
	35	70

1




B

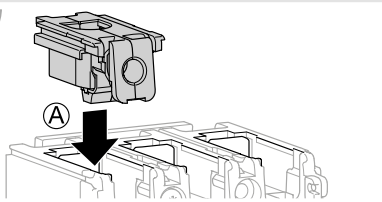
C

A

5



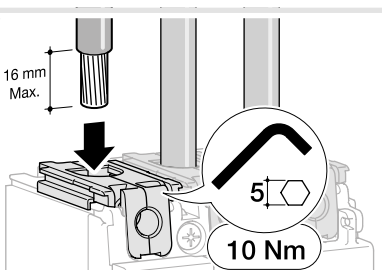
2



A

3

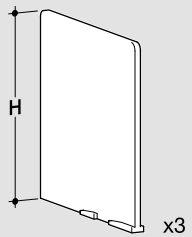
16 mm Max.



5

10 Nm

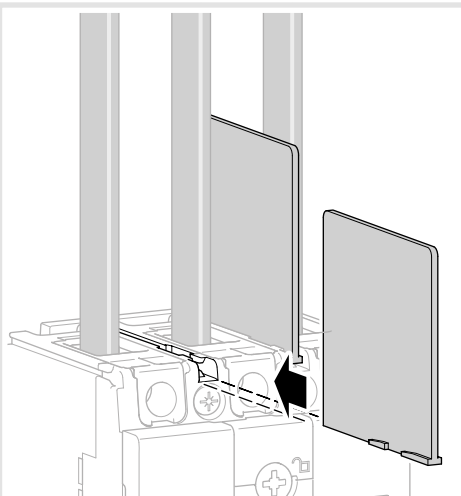
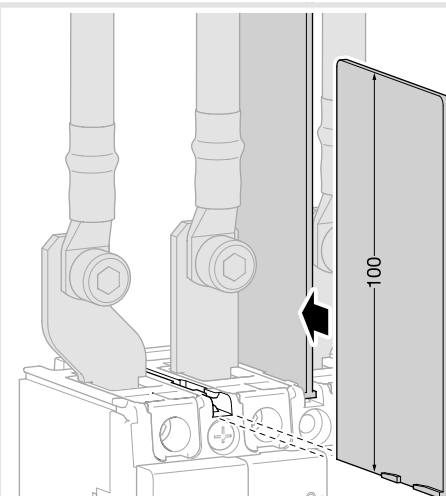
⚡



H

x3

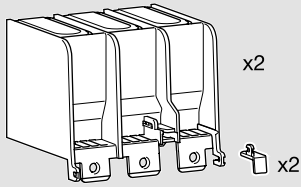
H (mm)		
	50	100
3P/4P	HYA019H	HYB019H

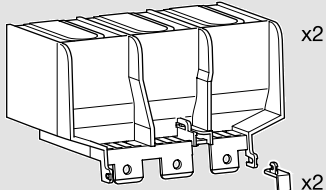
100



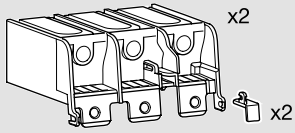
HYA021H (3P)
HYA022H (4P)



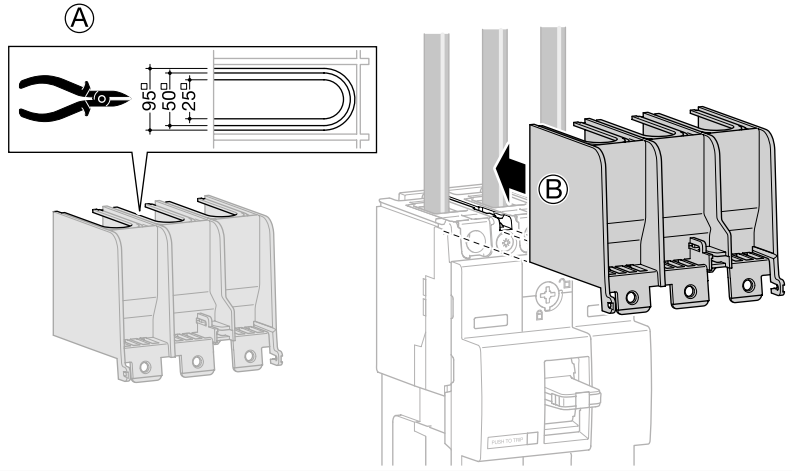
HYA023H (3P)
HYA024H (4P)



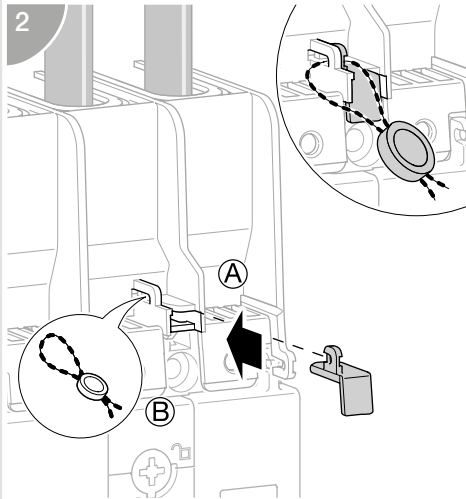
HYA027H (3P)
HYA028H (4P)



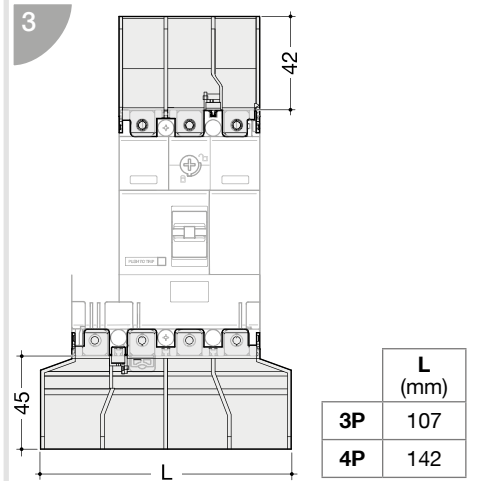
1



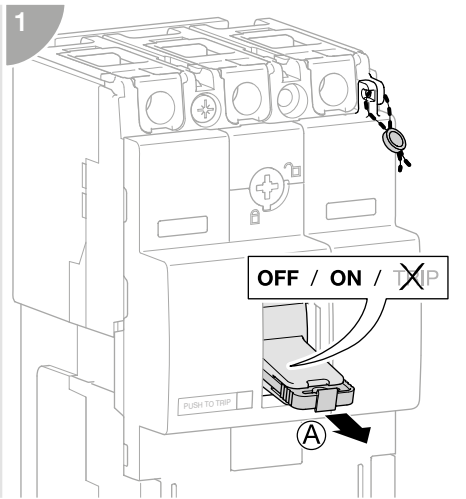
2



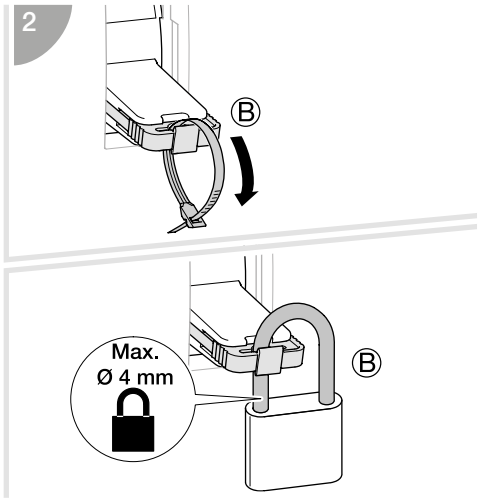
3



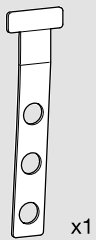
1



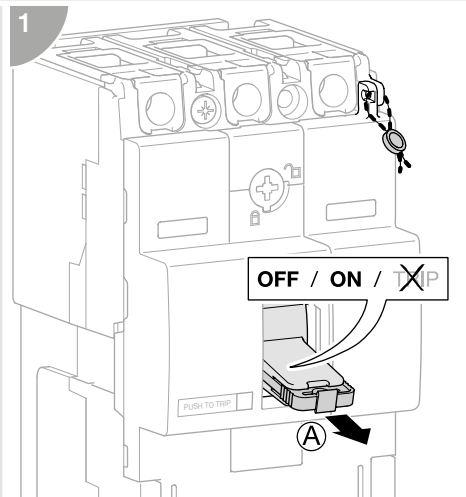
2



HXA039H



1



2

