

RAPID LED E27

LED light source



RAPID LED E27, RAPID PRO LED E27

RAPID LED E27-WW	22940	6.5	42	500	3000	200	E27	≥15000	20000
RAPID LED E27-NW	22941	6.5	45	550	4000	200	E27	≥15000	20000
RAPID PRO LED E27-WW	22950	9.5	60	800	3000	200	E27	≥15000	20000
RAPID PRO LED E27-NW	22951	9.5	63	850	4000	200	E27	≥15000	20000
RAPID MAXX LED E27-WW	23282	12	75	1050	3000	180	E27	≥10000	15000
RAPID MAXX LED E27-NW	23283	12	75	1050	4000	180	E27	≥10000	15000
RAPID HI LED E27-WW	25400	15	100	1520	3000	200	E27	≥15000	15000
RAPID HI LED E27-NW	25401	15	100	1520	4000	200	E27	≥15000	15000

Kanlux RAPID E27 sources are LED counterparts of traditional bulbs. Their versions RAPID HI reach the highest power (counterparts 100W). They are mainly distinguished by a high light stream and a wide angle of light. Hybrid structure of the casing is an additional asset of these sources.

- Material: plastic

RAPID LED E27

LED light source



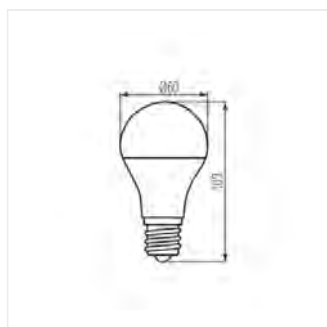
RAPID LED E27, RAPID PRO LED E27



RAPID MAXX LED E27



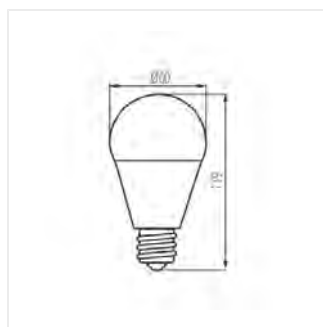
RAPID HI LED E27



RAPID LED E27, RAPID PRO LED E27



RAPID MAXX LED E27



RAPID HI LED E27