






Linear fluorescent lamp



T8 18W

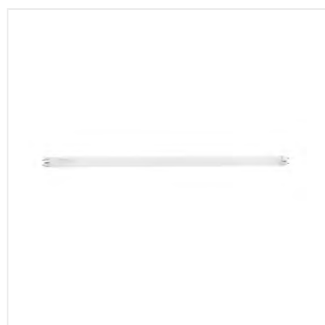
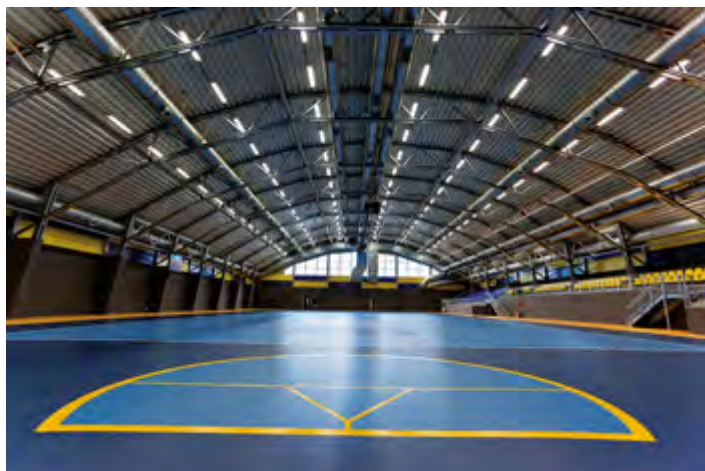
						
		[lm]	[lm]	Tc [K]		Ei
T8 18W/830 WW	19920	18	1350	3000	G13	A
T8 18W/840 NW	19921	18	1350	4000	G13	A
T8 18W/865 CW	19922	18	1250	6500	G13	A
T8 36W/840 NW	19924	36	3350	4000	G13	A+
T8 36W/865 CW	19925	36	3050	6500	G13	A
T8 58W/830 WW	19926	58	5250	3000	G13	A+
T8 58W/840 NW	19927	58	5250	4000	G13	A+
T8 58W/865 CW	19928	58	5000	6500	G13	A

Kanlux T8 are triband linear fluorescent lamps. Low consumption of energy and long working time (15.000H) are indisputable advantages of these lamps.

- Material: glass

T8

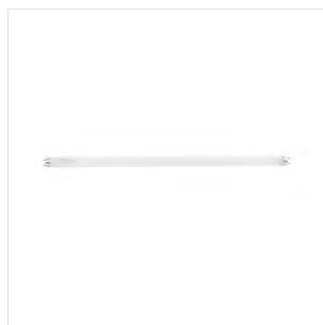
Linear fluorescent lamp



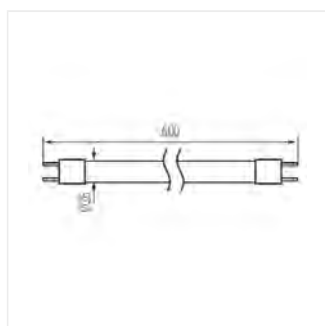
T8 18W



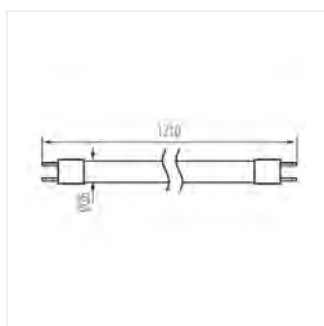
T8 36W



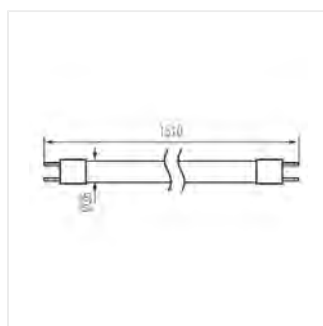
T8 58W



T8 18W-830



T8 36W-840



T8 58W-840