

J STAR

Halide light source



J-80W 78MM STAR

J-80W 78MM STAR	08490	80	100	1380	2700	R7s C
J-120W 78MM STAR	08491	120	150	2220	2700	R7s C
J-120W 118MM STAR	08500	120	150	2220	2700	R7s C
J-160W 118MM STAR	08501	160	200	3100	2700	R7s C
J-230W 118MM STAR	08502	230	300	4650	2700	R7s C
J-400W 118MM STAR	08503	400	500	8550	2700	R7s C

The designed halogen bulbs are intended for lamps and halopaks with R7s thread. Available power from 80W to 400W. They are meant for horizontal work.

- 23% more light flux by 20% lower power consumption (compared to F class halogen)
- designed for horizontal operation, allowable deflection of working position +/-4°
- Lampshade material: glass

J STAR

Halide light source



J-80W 78MM STAR



J-120W 78MM STAR



J-120W 118MM STAR



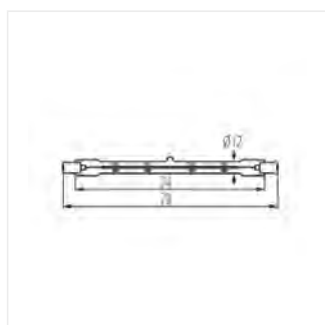
J-160W 118MM STAR



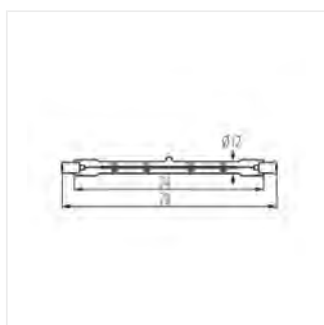
J-230W 118MM STAR



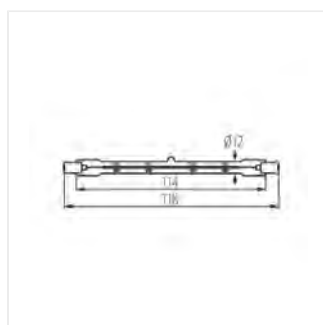
J-400W 118MM STAR



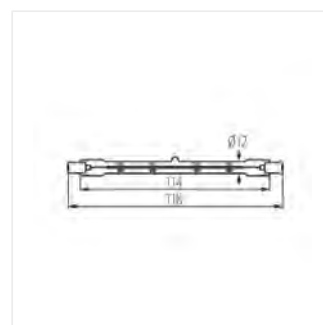
J-80W 78MM STAR



J-120W 78MM STAR



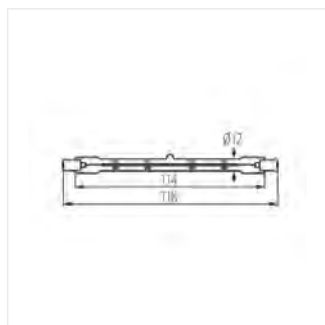
J-120W 118MM STAR



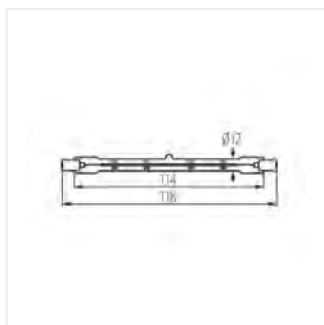
J-160W 118MM STAR

J STAR

Halide light source



J-230W 118MM STAR



J-400W 118MM STAR