



# EM211

Single Phase Electricity Meters With External Tariff Control | Type 710/720

The Itron EM 211 type 710/720 meters with external tariff control are new generation compact meters, offering full compatibility with the existing metering panels and equipped with enhanced features for the modern utility environment including comfort of installation, meter reading and event detection.

## COMPATIBILITY

The EM211 is fully compatible with the requirements of a traditional metering panel and offers connectivity with additional new features and outstanding metrology performance

- » DIN or BS wiring
- » Energy recording up to 2 tariffs
- » OBIS code on display
- » Large backlit display
- » Display available without mains power
- » Optical port
- » Comfort of installation: instantaneous current, voltage and power
- » Test mode

## MODULARITY

The EM211 can be tailored to the exact needs of the installation.

A variety of functions and interfaces are available and can be easily integrated to meet market requirements:

- » External tariff control
- » Pulse outputs
- » One way serial data output (DBO)
- » Recording of reactive energy

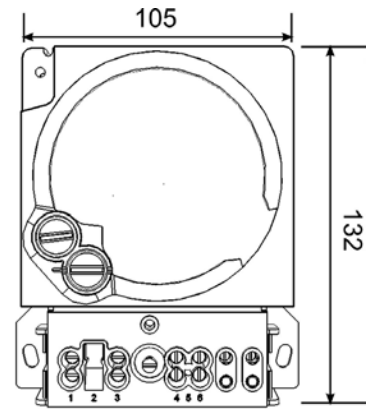
## KEY BENEFITS

- » Easy to install and test
- » Easy to read
- » High level of protection against harsh environment
- » Wide range of operating voltage, suitable to serve long LV lines
- » Low starting current to detect energy flow of low consumption devices
- » Strong anti fraud features
- » Meter cover sealed for life
- » Optional terminal cover and main cover open detection
- » Log book of past events
- » High level of immunity against strong permanent magnets

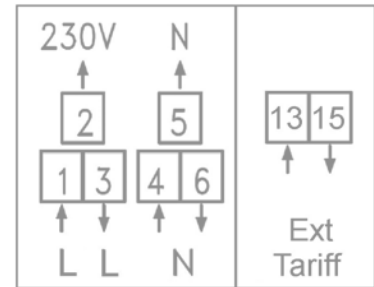
## Technical Specifications

Meter type	Static, single phase watt-hour meter
Network	Single-phase 2-wire
Measuring scope	Active energy (both import and export) Reactive energy as an option
Tariffs	Up to 2 rate
Reference voltage	230/400 V, 50 Hz
Current rating	5 (65) A (DIN) / 5 (100) A (BS)
Starting current	Below 15mA
Temperature range	-40°C / +70°C (LCD -25°C / + 70°C)
Storage temperature	-40°C / + 85°C
IP protection	IP54
Environment class	M2 / E2
Fast transient burst	4kV
Impulse voltage resistance	12kV
Surge immunity	6kV
Accuracy Class	A or B for active energy Class 1 or 2 for active energy Class 2 or 3 for reactive energy
Accuracy of voltage and current measurement	Better than 1%

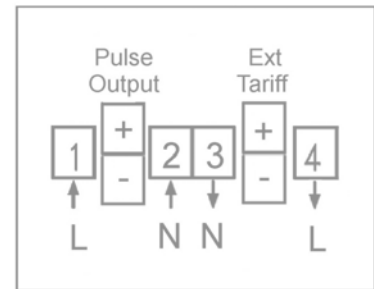
## Dimensions



## Wiring diagram DIN:



## Wiring diagram BS:



Our company is the world's leading provider of smart metering, data collection and utility software systems, with over 8,000 utilities worldwide relying on our technology to optimize the delivery and use of energy and water.

To realize your smarter energy and water future, start here: [www.itron.com](http://www.itron.com)

For more information, contact your local sales representative or agency:

## ITRON

Tancsics M. u. 11.  
P.O.B. 396  
H-2101 Gödöllő  
Hungary