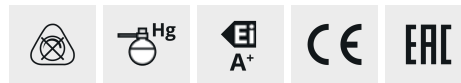


Linear fluorescent lamp



T5-8W 4000K/65

T5-8W 4000K/65	12715	8	688	4000	G5	≥65	10000
T5-13W 4000K/65	12716	13	1118	4000	G5	≥65	10000
T5-14W 4000K/82	12717	14	1204	4000	G5	≥82	20000

Kanlux T5 are oneband and tri-band linear fluorescent lamps. Low consumption of energy and long working time (10.000H) are indisputable advantages of these lamps.

- T5-8W, T5-13W: fluorescent lamps, other models are tri-band fluorescent
- Material: glass

Linear fluorescent lamp



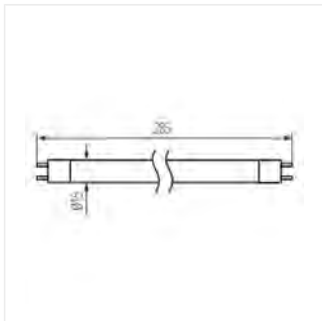
T5-8W 4000K/65



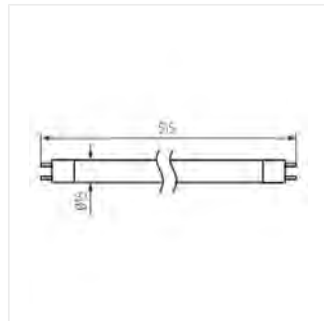
T5-13W 4000K/65



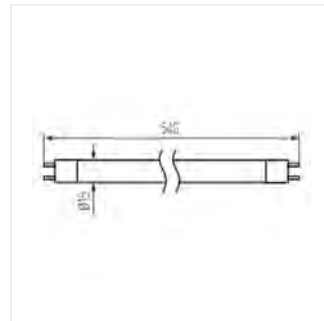
T5-14W 4000K/82



T5-8W 4000K/65



T5-13W 4000K/65



T5-14W 4000K/82