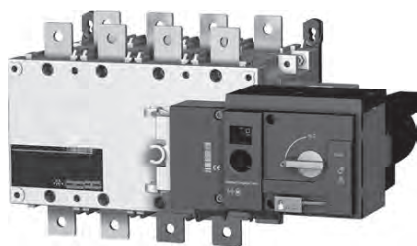


## Motorised changeover switch 125A to 630A



6LE00942A.d

### HIB4xxM



#### Preliminary operations

Check the following upon delivery and after removal of the packaging:

- Packaging and contents are in good condition.
- The product reference corresponds to the order.
- Contents should include:
  - 1 x motorised changeover switch
  - 1 x emergency handle and fixing clip
  - 1 x quick start instruction sheet

#### Accessories

- Bridging bars and connection kits
- Terminal shrouds
- Terminal shield

This quick start is intended for personnel trained in the installation and commissioning of this product. For further details refer to the product instruction manual available on the hager website.

- This product must always be installed and commissioned by qualified and approved personnel.
- Maintenance and servicing operations should be performed by trained and authorised personnel.
- Do not handle any control or power cables connected to the product when voltage may be, or may become present on the product, directly through the mains or indirectly through external circuits.
- Always use an appropriate voltage detection device to confirm the absence of voltage.

- Ensure that no metal objects are allowed to fall in the cabinet (risk of electrical arcing).

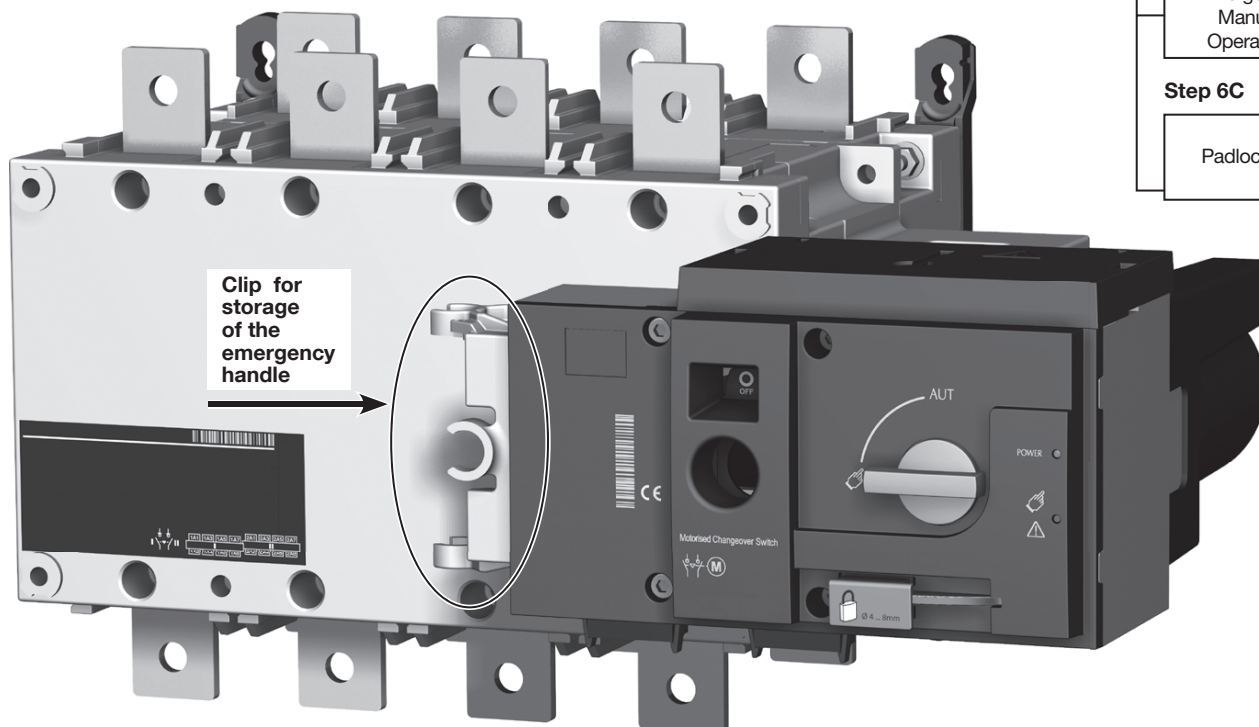
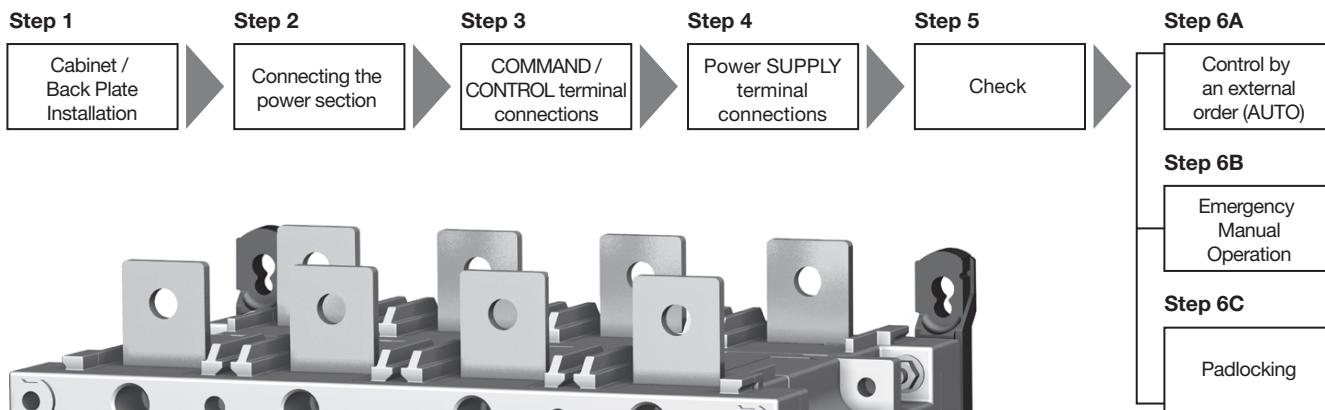
Failure to observe good engineering practises as well as to follow these safety instructions may expose the user and others to serious injury or death.



Risk of electrocution, burns or injury to persons and/or damage to equipment. Risk of damaging the device.

In case the product is dropped or damaged in any way it is recommended to replace the complete product..

#### Installation and commissioning



# 1. Installation

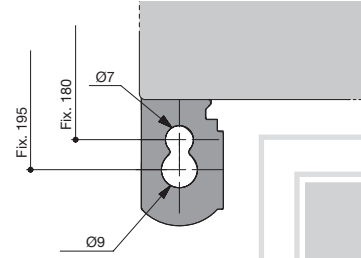
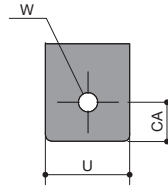
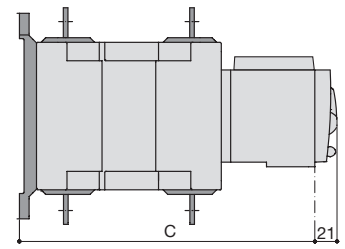
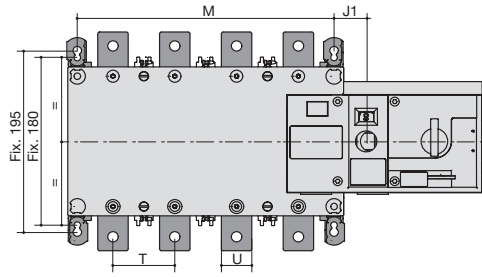


Ensure that the product is installed on a flat rigid surface.

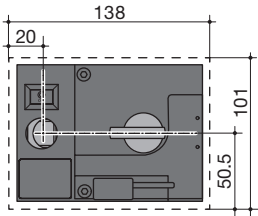
Dimensions in mm

## Orientation

Recommended	OK
OK	NO



## Door cut-out for front panel



	125 A	160 A	200 A	250 A	315 A	400 A	500 A	630 A
	<b>4P</b>							
<b>J1</b>	34			35			34	
<b>M</b>	150			210			270	
<b>T</b>	36			50			65	
<b>C</b>	244						320	
<b>U</b>	20		25		35		32	45
<b>W</b>	9		11		13			
<b>CA</b>	10		15		20			

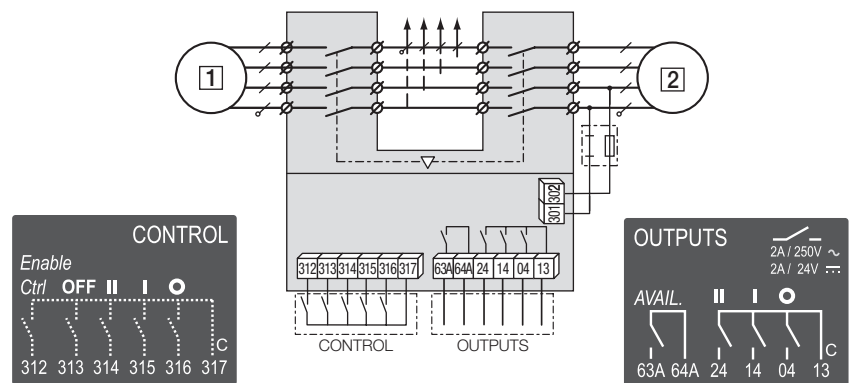
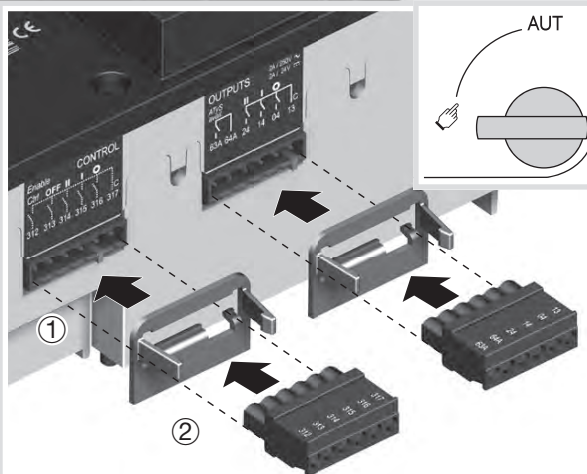
## 2. Power terminal connections

Use terminal lugs, rigid or flexible busbars.

	125 A	160 A	200 A	250 A	315 A	400 A	500 A	630 A
Minimum Cu cable section at lth (mm <sup>2</sup> )	35		50	95	120	185	2x95	2x120
Minimum Cu busbar section at lth (mm <sup>2</sup> )	-						2x30x5	2x40x5
Maximum Cu cable section (mm <sup>2</sup> )	50	95	120	150	240		2x185	2x300
Maximum Cu busbar width (mm)	25			32			50	
Type of screw	M8			M10			M12	
Recommended tightening torque (N.m)	8,3			20			40	
Maximum tightening torque (N.m)	13			26			45	

## 3. CONTROL/COMMAND terminals

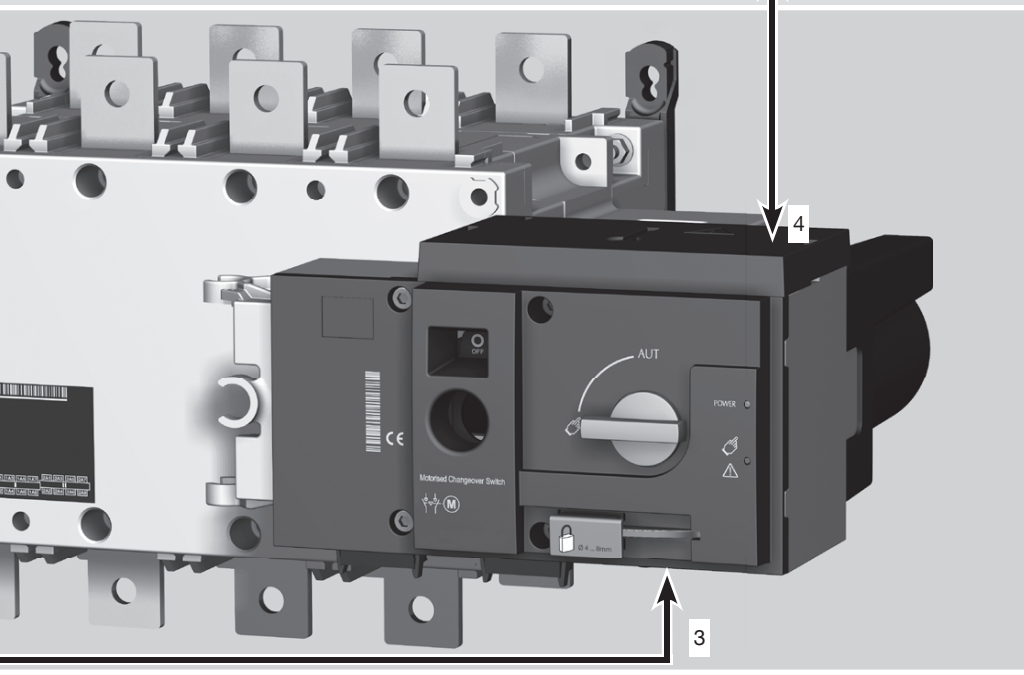
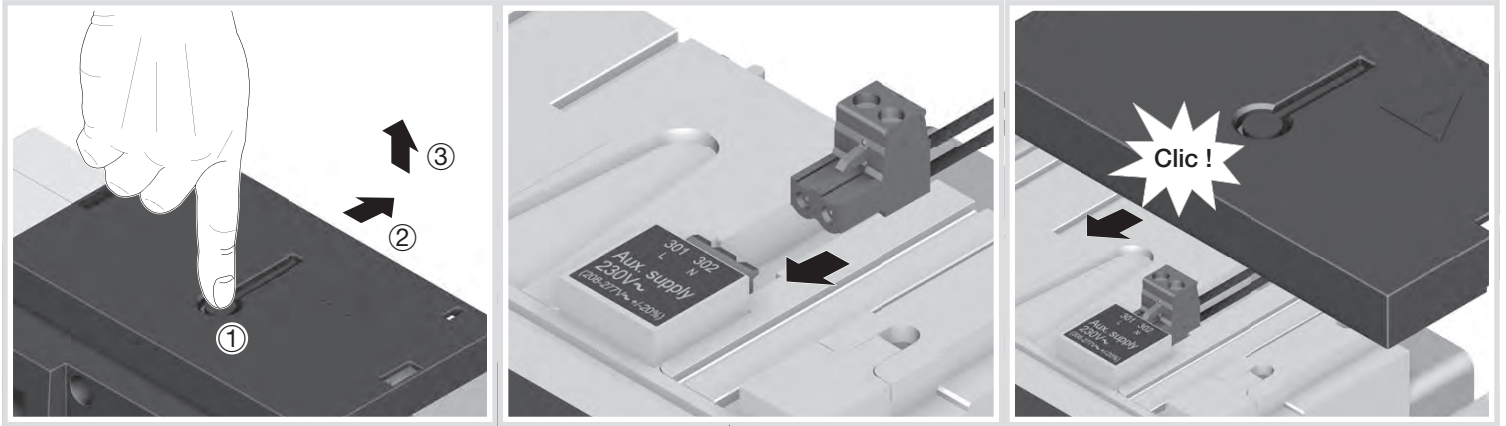
Ensure that the product is in Manual Mode.



Use cables with 1,5 to 2,5 mm<sup>2</sup> section.  
Screw M3 - Tightening torque: min.: 0.5 Nm - max.: 0.6 Nm

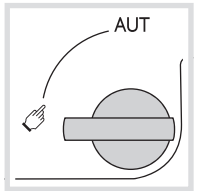
#### 4. Power supply terminal

Remove the Top cover to access and connect the terminal - Replace the cover before putting in service.

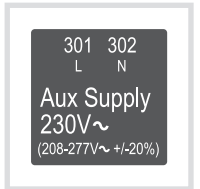


#### 5. Check

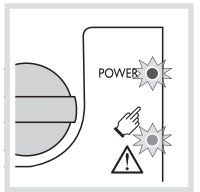
In manual mode,



check the wiring.  
If OK power up  
the product.



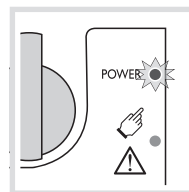
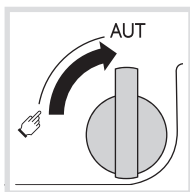
LED Green = "Power": ON  
LED Red =  
"Manuel/Default": ON



#### 6A. Automatic operation

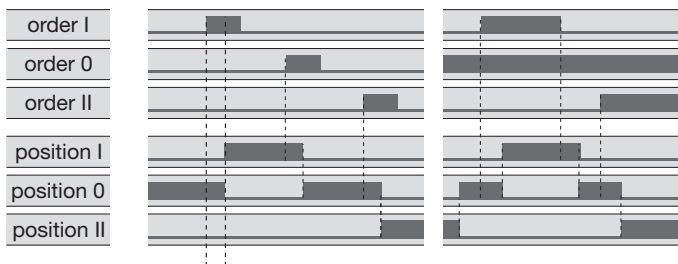
Ensure that the emergency handle is not inserted in the product and turn the mode selector to the AUT position.

LED Green = "Power": ON  
LED Manuel/Default: OFF



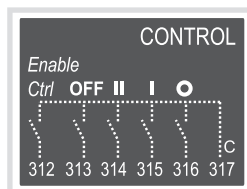
Impulse logic

Contactor logic



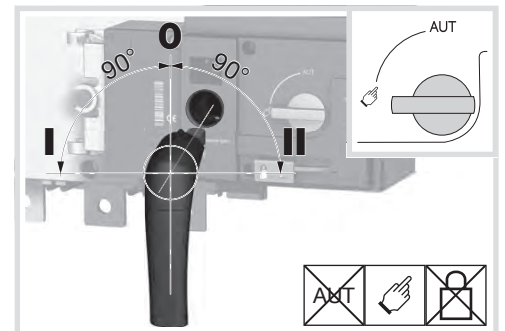
■ Impulse ≥ 60 ms  
■ Impulse maintained

To enable control, close contact 312 with 317.  
To force the product to 0 position/OFF bridge the contact 313 with 317.  
For contactor logic bridge contact 316 with 317.  
To operate: close the contact corresponding to the desired position.



#### 6B. Manual operation

Operate the product by placing the handle in the desired position.



#### 6C. Padlocking mode

(Standard: in position 0)  
Foreseen for max. 3 padlocks Ø 4-8mm

