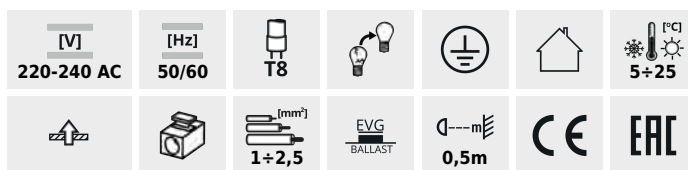
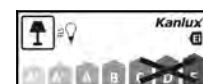


### Embedded louver fitting



		[V]	Lamp	Ballast	IP	Color
REGIS 3 EVG 418 PT	<b>19730</b>	4 x 18	T8	G13	20	white
REGIS 3 OPAL 418 PT	<b>19734</b>	4 x 18	T8	G13	40	white
REGIS 3WS EVG 418 PT	<b>25710</b>	4 x 18	T8	G13	20	white
REGIS 3WS OPAL 418 PT	<b>25713</b>	4 x 18	T8	G13	40	white



Kanlux REGIS are raster recessed luminaires that can be mounted quickly and easily with spring clips and quick couplings. Raster lighting is still a very popular solution for office and industrial spaces.

- reflector in the shape of a half-parabola / raster crossbars in the shape of "V" / sockets of fluorescent lamps masked with a reflector (exception: version REGIS 3 OPAL, REGIS 3WS OPAL with an opal board)
- the casing contains openings facilitating straight through type power supply
- protective cable on a raster, additionally securing against electric shock, except the version REGIS 3 OPAL, REGIS 3WS OPAL.
- simple assembly of the raster on spring catches
- quick coupling, for connection of power supply, facilitates and accelerates assembly, stabilizer by OSRAM in A2 class
- powder coating
- REGIS 3WS equipped with a stabilizer with "warm start".
- Enclosure material: steel
- Reflector material: aluminum alloy

## REGIS

### Embedded louver fitting



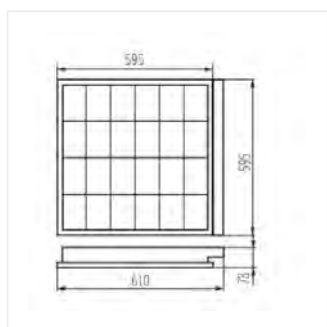
REGIS 3 OPAL 418 PT



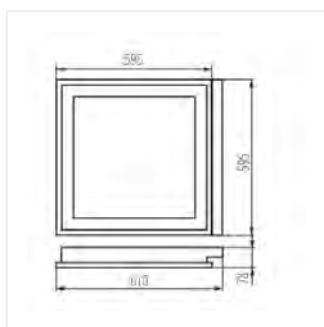
REGIS 3WS EVG 418 PT



REGIS 3WS OPAL 418 PT



REGIS 3 EVG 418 PT; REGIS  
3WS EVG 418 PT



REGIS 3 OPAL 418 PT; REGIS  
3WS OPAL 418 PT

## REGIS

---

### Embedded louver fitting

#### ACCESSORIES:

**72333** CLP-REGIS/PT CLP-REGIS/PT mounting support, used for building in fittings in a plasterboard suspended ceiling. 4 pcs. in a set.

