

Codici per  
l'ordinazione  
Order references



| Tipo<br>Type | Corrente nominale<br>Rated current | Senza maniglia<br>Without handle |               | Maniglia blocco porta<br>Door interlock handle |               |
|--------------|------------------------------------|----------------------------------|---------------|--|---------------|
|              |                                    | Poli / Poles                     | Codice / Code | Poli / Poles                                   | Codice / Code |
| VC1P         | 32A                                | 3P                               | 11000SM       | 3P   | 11000         |
|              |                                    | 4P                               | 11010SM       | 4P   | 11010         |
|              | 45A                                | 3P                               | 11001SM       | 3P   | 11001         |
|              |                                    | 4P                               | 11011SM       | 4P   | 11011         |
|              | 63A                                | 3P                               | 11002SM       | 3P   | 11002         |
|              |                                    | 4P                               | 11012SM       | 4P   | 11012         |
|              | 80A                                | 3P                               | 11003SM       | 3P   | 11003         |
|              |                                    | 4P                               | 11013SM       | 4P   | 11013         |
|              | 100A                               | 3P                               | 11004SM       | 3P   | 11004         |
|              |                                    | 4P                               | 11014SM       | 4P   | 11014         |
|              | 125A                               | 3P                               | 11005SM       | 3P   | 11005         |
|              |                                    | 4P                               | 11015SM       | 4P   | 11015         |
|              | 160A                               | 3P                               | 11006SM       | 3P   | 11006         |
|              |                                    | 4P                               | 11016SM       | 4P   | 11016         |



|      |      |    |         |    |       |
|------|------|----|---------|----|-------|
| VC2P | 160A | 3P | 12001SM | 3P | 12001 |
|      |      | 4P | 12011SM | 4P | 12011 |
|      | 200A | 3P | 12002SM | 3P | 12002 |
|      |      | 4P | 12012SM | 4P | 12012 |
|      | 250A | 3P | 12003SM | 3P | 12003 |
|      |      | 4P | 12013SM | 4P | 12013 |
|      | 315A | 3P | 12004SM | 3P | 12004 |
|      |      | 4P | 12014SM | 4P | 12014 |



|      |      |    |         |    |       |
|------|------|----|---------|----|-------|
| VC3P | 315A | 3P | 13001SM | 3P | 13001 |
|      |      | 4P | 13011SM | 4P | 13011 |
|      | 400A | 3P | 13002SM | 3P | 13002 |
|      |      | 4P | 13012SM | 4P | 13012 |
|      | 500A | 3P | 13003SM | 3P | 13003 |
|      |      | 4P | 13013SM | 4P | 13013 |



|      |      |    |         |    |       |
|------|------|----|---------|----|-------|
| VC4P | 630A | 3P | 14003SM | 3P | 14003 |
|      |      | 4P | 14013SM | 4P | 14013 |
|      | 800A | 3P | 14004SM | 3P | 14004 |
|      |      | 4P | 14014SM | 4P | 14014 |

Albero di comando standard lunghezza 200 mm incluso in ogni confezione  
Standard shaft length 200 mm included in the package



| Tipo<br>Type | Corrente nominale<br>Rated current | Senza maniglia<br>Without handle |               | Maniglia blocco porta<br>Door interlock handle |               |
|--------------|------------------------------------|----------------------------------|---------------|--|---------------|
|              |                                    | Poli / Poles                     | Codice / Code | Poli / Poles                                   | Codice / Code |
| VC5P (35 KA) | 800A                               | 3P                               | 15000SM       | 3P   | 15000         |
|              |                                    | 4P                               | 15010SM       | 4P   | 15010         |
|              | 1000A                              | 3P                               | 15001SM       | 3P   | 15001         |
|              |                                    | 4P                               | 15011SM       | 4P   | 15011         |
|              | 1250A                              | 3P                               | 15002SM       | 3P   | 15002         |
|              |                                    | 4P                               | 15012SM       | 4P   | 15012         |



|              |       |         |         |       |       |
|--------------|-------|---------|---------|-------|-------|
| VC5P (50 KA) | 800A  | 3P      | 15007SM | 3P    | 15007 |
|              |       | 4P      | 15017SM | 4P    | 15017 |
|              | 1000A | 3P      | 15008SM | 3P    | 15008 |
|              |       | 4P      | 15018SM | 4P    | 15018 |
|              | 1250A | 3P      | 15009SM | 3P    | 15009 |
|              |       | 4P      | 15019SM | 4P    | 15019 |
|              | 1600A | 3P      | 15003SM | 3P    | 15003 |
|              |       | 4P      | 15013SM | 4P    | 15013 |
|              | 2000A | 3P      | 15004SM | 3P    | 15004 |
|              |       | 4P      | 15014SM | 4P    | 15014 |
|              | 2500A | 3P      | 15005SM | 3P    | 15005 |
|              |       | 4P      | 15015SM | 4P    | 15015 |
| 3150A        | 3P    | 15006SM | 3P      | 15006 |       |
|              | 4P    | 15016SM | 4P      | 15016 |       |



|      |       |    |         |    |       |
|------|-------|----|---------|----|-------|
| VC6P | 1600A | 3P | 16000SM | 3P | 16000 |
|      |       | 4P | 16010SM | 4P | 16010 |
|      | 2000A | 3P | 16001SM | 3P | 16001 |
|      |       | 4P | 16011SM | 4P | 16011 |
|      | 2500A | 3P | 16002SM | 3P | 16002 |
|      |       | 4P | 16012SM | 4P | 16012 |
|      | 3150A | 3P | 16003SM | 3P | 16003 |
|      |       | 4P | 16013SM | 4P | 16013 |

Albero di comando standard lunghezza 200 mm incluso in ogni confezione  
Standard shaft length 200 mm included in the package

Per esecuzione quadripolare con neutro passante aggiungere la desinenza "SN" al codice del corrispondente sezionatore quadripolare.  
For solid neutral switches add "SN" to the code of corresponding four pole switch.

Per esecuzione quadripolare con neutro a piena corrente (già di serie fino a 1250A) aggiungere la desinenza "FN" al codice del corrispondente sezionatore quadripolare da 1600A in poi.  
For full current switches (standard until 1250A) add "FN" to the code of corresponding four pole switch from 1600A onward up to.

Dati tecnici  
Technical data

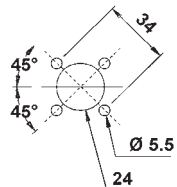
| Tipo / Type   |                    |                           | VC1P  |       |       |       |       |       |       | VC2P    |       |       |          |         |
|---|--------------------|---------------------------|-------|-------|-------|-------|-------|-------|-------|---------|-------|-------|----------|---------|
| Corrente nominale<br>Rated current  | (In)               |                           | 32A   | 45A   | 63A   | 80A   | 100A  | 125A  | 160A  | 160A    | 200A  | 250A  | 315A     |         |
| Tensione nominale d'isolamento<br>Rated insulation voltage                              | c.a./AC<br>c.c./DC | (Ui)<br>(U <sub>i</sub> ) | (V)   | 1000  | 1000  | 1000  | 1000  | 1000  | 1000  | 1000    | 1000  | 1000  | 1000     |         |
| Tensione nominale impulso<br>Impulse withstand voltage                                  |                    | (U <sub>imp</sub> )       | (kV)  | 8     | 8     | 8     | 8     | 8     | 8     | 12      | 12    | 12    | 12       |         |
| Corrente nominale termica<br>Rated thermal current                                      |                    | (I <sub>th</sub> )        | (A)   | 32    | 45    | 63    | 80    | 100   | 125   | 160     | 160   | 200   | 250      | 315     |
| Corrente nominale d'impiego (I <sub>e</sub> )<br>Rated operational current              | AC-21A/B           | 400V                      | (A)   | 32    | 45    | 63    | 80    | 100   | 125   | 125/160 | 160   | 200   | 250      | 250/315 |
|   |                    | 500V                      | (A)   | 32    | 45    | 63    | 80    | 100   | 125   | 125/160 | 160   | 200   | 250      | 250/315 |
|   |                    | 690V                      | (A)   | 32    | 45    | 63    | 80    | 100   | 125   | 125/160 | 160   | 200   | 250      | 250/315 |
|   | AC-22A/B           | 400V                      | (A)   | 32    | 45    | 63    | 80    | 100   | 125   | 125/160 | 160   | 200   | 250      | 250/315 |
|   |                    | 500V                      | (A)   | 32    | 45    | 63    | 80    | 100   | 125   | 125/125 | 160   | 200   | 250      | 250/250 |
|   |                    | 690V                      | (A)   | 32    | 45    | 63    | 80    | 100   | 125   | 125/125 | 160   | 200   | 250      | 250/250 |
|   | AC-23A/B           | 400V                      | (A)   | 32    | 45    | 63    | 80    | 100   | 125   | 125/125 | 160   | 200   | 250      | 250/250 |
|   |                    | 500V                      | (A)   | 25    | 35    | 45    | 63    | 80    | 100   | 100/100 | 125   | 160   | 200      | 200/200 |
|   |                    | 690V                      | (A)   | 20    | 30    | 35    | 45    | 63    | 80    | 80/80   | 100   | 125   | 160      | 160/160 |
|   | DC-21A/B(1)        | 220V                      | (A)   | 32    | 45    | 63    | 80    | 100   | 125   | 125/160 | 160   | 200   | 250      | 250/315 |
|   |                    | 420V                      | (A)   | -     | -     | -     | -     | -     | -     | -       | 160   | 200   | 250      | 250/315 |
|   |                    | 560V                      | (A)   | -     | -     | -     | -     | -     | -     | -       | 60    | 60    | 60       | 60      |
|   | DC-22A/B(1)        | 220V                      | (A)   | 32    | 45    | 63    | 80    | 100   | 125   | 125/125 | 160   | 200   | 250      | 250/315 |
|   |                    | 420V                      | (A)   | -     | -     | -     | -     | -     | -     | -       | 160   | 200   | 250      | 250/250 |
|   |                    | 560V                      | (A)   | -     | -     | -     | -     | -     | -     | -       | 40/60 | 40/60 | 40/60    | 40/60   |
|   | DC-23A/B(1)        | 220V                      | (A)   | 20    | 30    | 35    | 45    | 63    | 80    | 80/80   | 160   | 200   | 250      | 250/250 |
|   |                    | 420V                      | (A)   | -     | -     | -     | -     | -     | -     | -       | 160   | 200   | 250      | 250/250 |
|   |                    | 560V                      | (A)   | -     | -     | -     | -     | -     | -     | -       | -     | -     | -        | -       |
| Potere di chiusura a 400V AC23<br>Rated making capacity at 400V AC23                    |                    | (A)                       | 320   | 450   | 630   | 800   | 1000  | 1250  | 1250  | 1600    | 2000  | 2500  | 2500     |         |
| Potere di interruzione a 400V AC23<br>Rated breaking capacity at 400V AC23              |                    | (A)                       | 256   | 360   | 504   | 640   | 800   | 1000  | 1000  | 1280    | 1600  | 2000  | 2000     |         |
| Corrente di breve durata per 1 sec.<br>Short-circuit withstand current 1 sec.           |                    | (kA)                      | 5     | 5     | 5     | 5     | 5     | 5     | 5     | 8       | 8     | 8     | 8        |         |
| Corrente di breve durata per 0,25 sec.<br>Short-circuit withstand current 0,25 sec.     |                    | (kA)                      | 10    | 10    | 10    | 10    | 10    | 10    | 10    | 16      | 16    | 16    | 16       |         |
| Potere di chiusura in corto circuito<br>Short-circuit making capacity                   | (400V)             | (kA)                      | 7,5   | 7,5   | 7,5   | 7,5   | 7,5   | 7,5   | 7,5   | 13,5    | 13,5  | 13,5  | 13,5     |         |
| Potenza nominale d'impiego AC-23A<br>Rated operational power AC-23A                     | (400V)             | (Kw)                      | 17    | 23    | 33    | 42    | 52    | 65    | 65    | 85      | 105   | 130   | 130      |         |
| Corrente di corto circuito condizionata da fusibile<br>Rated fuse short-circuit current |                    |                           |       |       |       |       |       |       |       |         |       |       |          |         |
| Tipo fusibile / Back up fuse  |                    | (A)                       | 32    | 45    | 63    | 80    | 100   | 125   | 160   | 160     | 200   | 250   | 315      |         |
| Valore efficace / R.M.S. value  |                    | (kA)                      | 50    | 50    | 50    | 50    | 50    | 50    | 50    | 50      | 50    | 50    | 50       |         |
| Valore di picco / Peak value  |                    | (kA)                      | 6     | 9     | 10    | 12    | 12    | 15    | 16    | 16      | 20    | 25    | 27       |         |
| Durata meccanica / Mechanical endurance   |                    | n°                        | 12000 | 12000 | 12000 | 12000 | 12000 | 10000 | 10000 | 10000   | 10000 | 10000 | 10000    |         |
| Durata elettrica / Electrical endurance   |                    | n°                        | 3000  | 3000  | 3000  | 3000  | 3000  | 2000  | 2000  | 2000    | 2000  | 2000  | 2000/200 |         |
| Potenza condensatori a 400V<br>Rated capacitor power at 400V                            |                    | kVAR                      | 15    | 20    | 30    | 40    | 45    | 50    | 50    | 70      | 90    | 110   | 110      |         |
| Potenza dissipata per polo<br>Power losses for pole                                     |                    | (W)                       | 0,1   | 0,2   | 0,4   | 0,7   | 1,1   | 1,7   | 2,7   | 1,6     | 2,4   | 3,8   | 6,0      |         |
| Dimensione cavo / Cable section   |                    | mmq                       | 50    | 50    | 50    | 50    | 50    | 50    | 70    | 120     | 120   | 120   | 185      |         |
| Dimensione barre / Bars dimension   |                    | mm                        | 16x3  | 16x3  | 16x3  | 16x3  | 16x3  | 16x3  | 16x4  | 20x5    | 20x5  | 20x5  | 20x5     |         |
| Sforzi di manovra / Operation torque  |                    | Nm                        | 8     | 8     | 8     | 8     | 8     | 8     | 8     | 12      | 12    | 12    | 12       |         |
| Peso netto / Net weight   | 3P                 | kg                        | 0,9   | 0,9   | 0,9   | 0,9   | 0,9   | 0,9   | 0,9   | 1,5     | 1,5   | 1,5   | 1,5      |         |
|   | 4P                 | kg                        | 1     | 1     | 1     | 1     | 1     | 1     | 1     | 1,6     | 1,6   | 1,6   | 1,6      |         |

(1) Due poli in serie / Two poles in series

SERIE / SERIES VCP

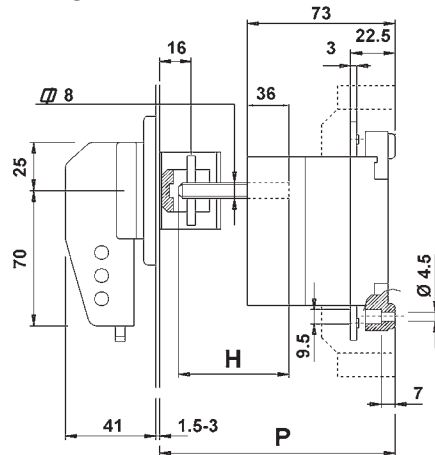
| VC3P   |        |          | VC4P   |          | VC5P   |        |        | VC5P 50 kA |        |        |        |         |         | VC6P    |         |         |         |          |      |
|--------|--------|----------|--------|----------|--------|--------|--------|------------|--------|--------|--------|---------|---------|---------|---------|---------|---------|----------|------|
| 315A   | 400A   | 500A     | 630A   | 800A     | 800A   | 1000A  | 1250A  | 800A       | 1000A  | 1250A  | 1600A  | 2000A   | 2500A   | 3150A   | 1600A   | 2000A   | 2500A   | 3150A    |      |
| 1000   | 1000   | 1000     | 1000   | 1000     | 1000   | 1000   | 1000   | 1000       | 1000   | 1000   | 1000   | 1000    | 1000    | 1000    | 1000    | 1000    | 1000    | 1000     | 1000 |
| 1500   | 1500   | 1500     | 1500   | 1500     | 1500   | 1500   | 1500   | 1500       | 1500   | 1500   | 1500   | 1500    | 1500    | 1500    | 1500    | 1500    | 1500    | 1500     | 1500 |
| 12     | 12     | 12       | 12     | 12       | 12     | 12     | 12     | 12         | 12     | 12     | 12     | 12      | 12      | 12      | 12      | 8       | 8       | 8        | 8    |
| 315    | 400    | 500      | 630    | 800      | 800    | 1000   | 1250   | 800        | 1000   | 1250   | 1600   | 2000    | 2500    | 3150    | 1600    | 2000    | 2500    | 3150     |      |
| 315    | 400    | 400/500  | 630    | 630/800  | 800    | 1000   | 1250   | 800        | 1000   | 1250   | 1600   | 2000    | 2500    | 3150    | 1600    | 2000    | 2500    | 3150     |      |
| 315    | 400    | 400/500  | 630    | 630/800  | 800    | 1000   | 1250   | 800        | 1000   | 1250   | 1250   | 1600    | 2000    | 2500    | 1600    | 2000    | 2500    | 3150     |      |
| 315    | 400    | 400/500  | 630    | 630/800  | 800    | 1000   | 1250   | 800        | 1000   | 1250   | 1250   | 1250    | 1250    | 1250    | 1250    | 1250    | 1250    | 1250     |      |
| 315    | 400    | 500/500  | 630    | 630/800  | 800    | 1000   | 1250   | 800        | 1000   | 1250   | 1250   | 1250    | -       | -       | 1600    | 2000    | 2500    | 1600     |      |
| 315    | 400    | 400/400  | 630    | 630/630  | 800    | 1000   | 1250   | 800        | 1000   | 1250   | -      | -       | -       | -       | 1250    | 1250    | 1250    | -        |      |
| 315    | 400    | 400/400  | 630    | 630/630  | 800    | 1000   | 1250   | 800        | 1000   | 1250   | -      | -       | -       | -       | 400     | 400     | 800     | -        |      |
| 315    | 400    | 500/500  | 630    | 630/630  | 800    | 1000   | 1250   | 800        | 1000   | 1250   | -      | -       | -       | -       | 1250    | 1250    | -       | -        |      |
| 250    | 315    | 315/315  | 500    | 500/500  | 800    | 800    | 800    | 630        | 800    | 1000   | -      | -       | -       | -       | 800     | 800     | -       | -        |      |
| 200    | 250    | 250/250  | 400    | 400/400  | 400    | 400    | 400    | 500        | 630    | 800    | -      | -       | -       | -       | 400     | 400     | -       | -        |      |
| 315    | 400    | 400/500  | 630    | 630/800  | 800    | 1000   | 1250   | 800        | 1000   | 1250   | 1600   | 2000    | -       | -       | 1600    | 2000    | -       | -        |      |
| 315    | 400    | 400/500  | 630    | 630/800  | -      | -      | -      | -          | -      | -      | -      | -       | -       | -       | -       | -       | -       | -        |      |
| 315    | 400    | 400/500  | 630    | 630/800  | -      | -      | -      | -          | -      | -      | -      | -       | -       | -       | -       | -       | -       | -        |      |
| 315    | 400    | 400/500  | 630    | 630/800  | 800    | 1000   | 1250   | 800        | 1000   | 1250   | -      | -       | -       | -       | -       | -       | -       | -        |      |
| 315    | 400    | 400/400  | 630    | 630/630  | -      | -      | -      | -          | -      | -      | -      | -       | -       | -       | -       | -       | -       | -        |      |
| 315    | 400    | 400/400  | 630    | 630/630  | -      | -      | -      | -          | -      | -      | -      | -       | -       | -       | -       | -       | -       | -        |      |
| 315    | 400    | 400/400  | 630    | 630/630  | 500    | 630    | 800    | 500        | 630    | 800    | -      | -       | -       | -       | -       | -       | -       | -        |      |
| 315    | 400    | 400/400  | 630    | 630/630  | -      | -      | -      | -          | -      | -      | -      | -       | -       | -       | -       | -       | -       | -        |      |
| 315    | 400    | 400/400  | 630    | 630/630  | -      | -      | -      | -          | -      | -      | -      | -       | -       | -       | -       | -       | -       | -        |      |
| 3150   | 4000   | 4000     | 6300   | 6300     | 8000   | 10000  | 12500  | 8000       | 10000  | 12500  | -      | -       | -       | -       | 12500   | 12500   | -       | -        |      |
| 2520   | 3200   | 3200     | 5040   | 5040     | 6400   | 8000   | 10000  | 6400       | 8000   | 10000  | -      | -       | -       | -       | 10000   | 1000    | -       | -        |      |
| 13     | 13     | 13       | 26,5   | 26,5     | 35     | 35     | 35     | 50         | 50     | 50     | 50     | 50      | 50      | 50      | 60      | 60      | 70      | 70       |      |
| 26     | 26     | 26       | 53     | 53       | 70     | 70     | 70     | 100        | 100    | 100    | 100    | 100     | 100     | 100     | 120     | 120     | 140     | 140      |      |
| 26     | 26     | 26       | 30     | 30       | 73,5   | 73,5   | 73,5   | 105        | 105    | 105    | 105    | 105     | 105     | 105     | 105     | 105     | 105     | 105      |      |
| 165    | 210    | 210      | 330    | 330      | 420    | 525    | 630    | 420        | 525    | 630    | 630    | 630     | -       | -       | 630     | 630     | -       | -        |      |
| 315    | 400    | 500      | 630    | 800      | 800    | 1000   | 1000   | 800        | 1000   | 1000   | -      | -       | -       | -       | -       | -       | -       | -        |      |
| 50     | 50     | 50       | 50     | 50       | 100    | 100    | 100    | 100        | 100    | 100    | -      | -       | -       | -       | -       | -       | -       | -        |      |
| 27     | 30     | 37       | 40     | 50       | 50     | 60     | 70     | 50         | 60     | 70     | -      | -       | -       | -       | -       | -       | -       | -        |      |
| 8000   | 8000   | 8000     | 8000   | 8000     | 7000   | 7000   | 7000   | 4000       | 4000   | 4000   | 4000   | 4000    | 2000    | 2500    | 2500    | 2500    | 2500    | 2500     |      |
| 1500   | 1500   | 1500/200 | 1500   | 1500/200 | 1000   | 1000   | 1000   | 1000       | 1000   | 1000   | 500    | 500     | 500     | 500     | 500     | 500     | 500     | 500      |      |
| 140    | 180    | 180      | 300    | 300      | 380    | 475    | 600    | 380        | 475    | 600    | -      | -       | -       | -       | 780     | 850     | 1100    | 1250     |      |
| 5,9    | 9,4    | 14,8     | 15,6   | 25,7     | 17,5   | 27,3   | 12,7   | 15,6       | 24,3   | 38,0   | 38,3   | 61,3    | 91,7    | 145,5   | 47,8    | 74,7    | 85,4    | 118,1    |      |
| 185    | 2x150  | 2x150    | 2x185  | 2x240    | 2x240  | -      | -      | 2x240      | -      | -      | -      | -       | -       | -       | -       | -       | -       | -        |      |
| 2x25x4 | 2x25x5 | 2x25x5   | 2x32x6 | 2x40x6   | 2x50x5 | 2x50x6 | 2x50x8 | 2x50x5     | 2x50x6 | 2x50x8 | 3x50x8 | 3x50x12 | 4x50x12 | 6x50x12 | 2x80x10 | 2x80x10 | 3x80x10 | 3x100x10 |      |
| 18     | 18     | 18       | 34     | 34       | 45     | 45     | 45     | 70         | 70     | 70     | 70     | 70      | 70      | 70      | 70      | 70      | 70      | 70       |      |
| 3,5    | 3,5    | 3,5      | 5,5    | 5,5      | 11     | 11     | 11     | 11         | 11     | 11     | 18     | 18      | 25      | 25      | 17      | 19      | 27      | 40       |      |
| 3,8    | 3,8    | 3,8      | 6      | 6        | 12     | 12     | 12     | 12         | 12     | 12     | 19,2   | 19,5    | 26,5    | 26,5    | 19      | 20      | 30      | 41       |      |

Dimensioni  
Dimensions

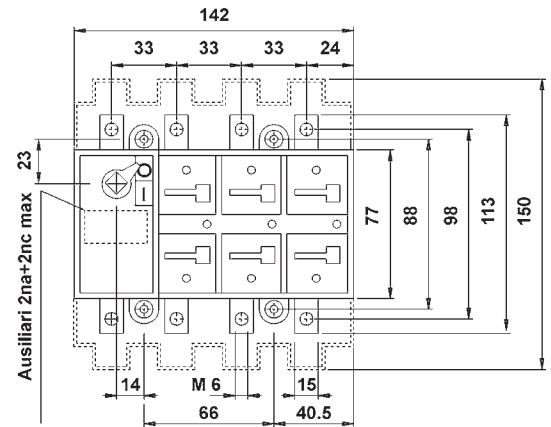
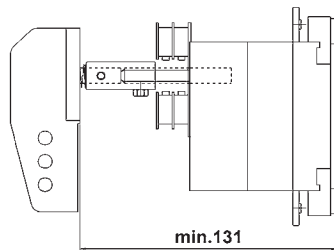


Foratura portella  
Door drilling

VC1P



maniglia diretta / direct handle



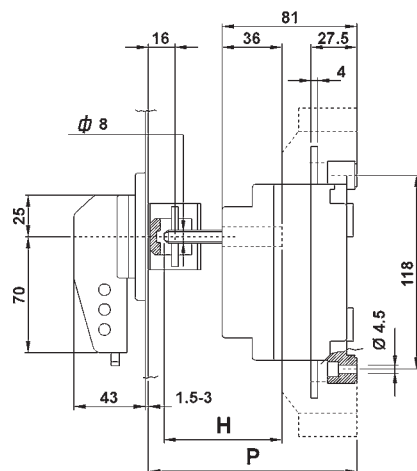
VC1P 32 ÷ 160 A

Legenda / Caption

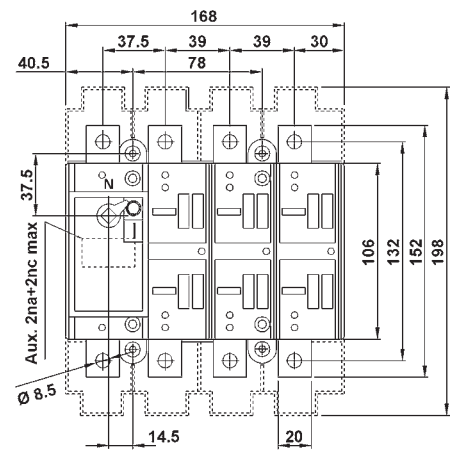
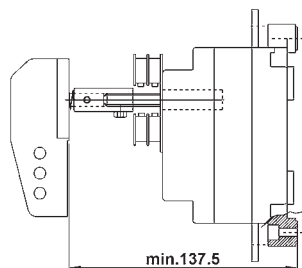
| P   |     | C  | H   |
|-----|-----|----|-----|
| min | max |    |     |
| 116 | 247 | 47 | P-C |

C = costante / constant

VC2P



maniglia diretta / direct handle



VC2P 160 ÷ 315 A

Legenda / Caption

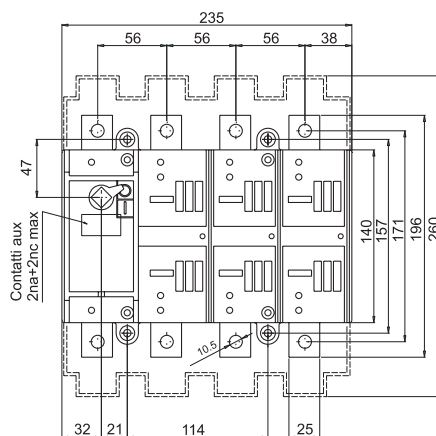
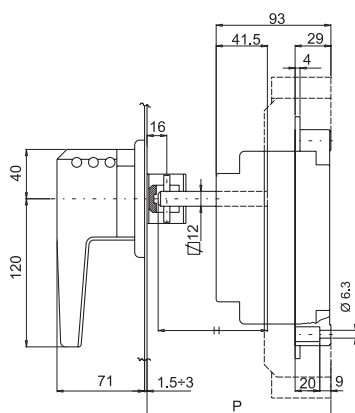
| P   |     | C  | H   |
|-----|-----|----|-----|
| min | max |    |     |
| 124 | 255 | 55 | P-C |

C = costante / constant

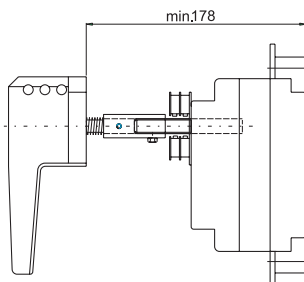
Dimensioni  
Dimensions



VC3P



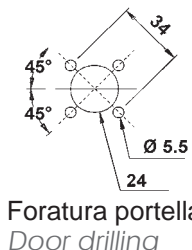
maniglia diretta / direct handle



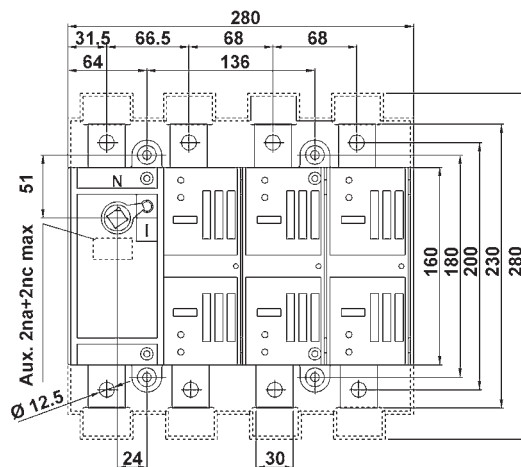
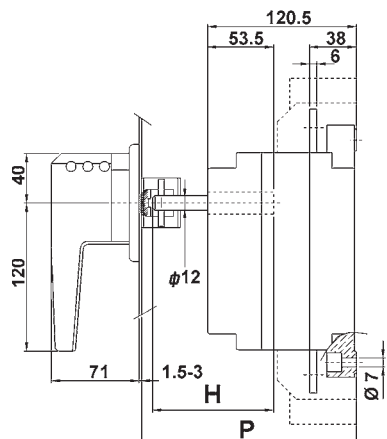
**VC3P 315 ÷ 500 A**  
Legenda / Caption

| P   |       | C    | H   |
|-----|-------|------|-----|
| min | max   |      |     |
| 148 | 261,5 | 51,5 | P-C |

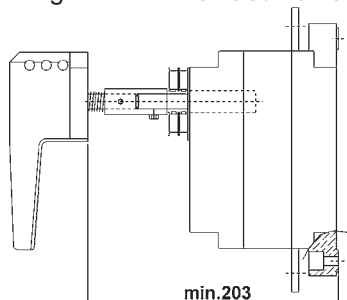
C = costante / constant



VC4P



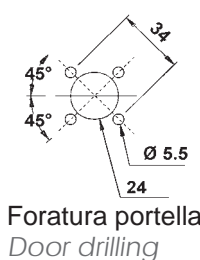
maniglia diretta / direct handle



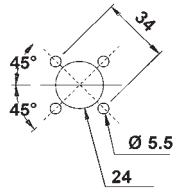
**VC4P 630 ÷ 800 A**  
Legenda / Caption

| P   |     | C  | H   |
|-----|-----|----|-----|
| min | max |    |     |
| 174 | 276 | 76 | P-C |

C = costante / constant

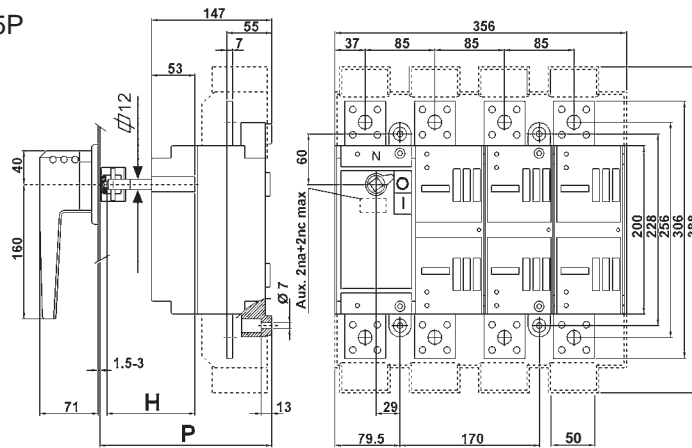


Dimensioni  
Dimensions

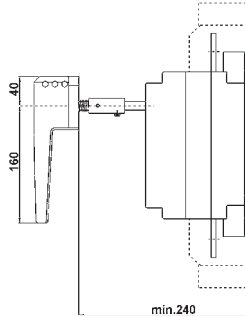


Foratura portella  
Door drilling

VC5P



maniglia diretta / direct handle



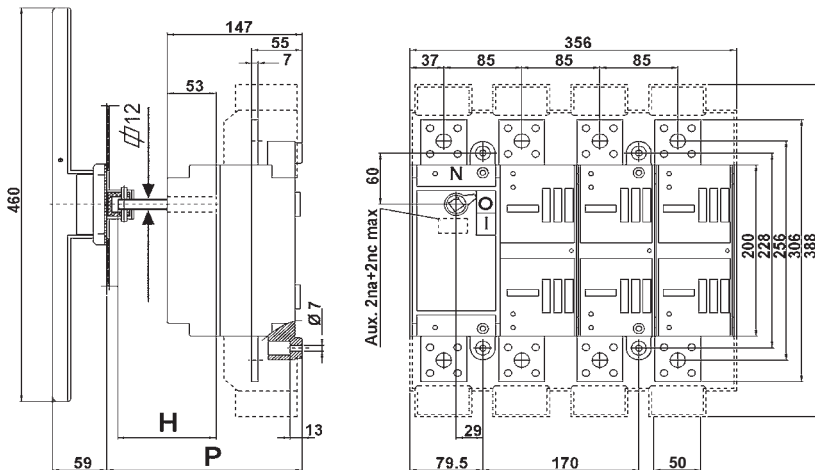
VC5P 800 ÷ 1250 A 35 kA

Legenda / Caption

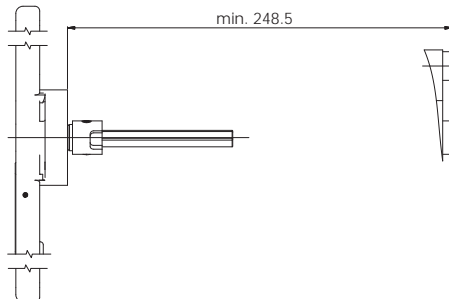
| P   |     | C  | H   |
|-----|-----|----|-----|
| min | max | 96 | P-C |
| 215 | 296 |    |     |

C = costante / constant

VC5P



maniglia diretta / direct handle



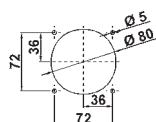
VC5P 800 ÷ 1250 A 50 kA

Legenda / Caption

| P   |     | C   | H   |
|-----|-----|-----|-----|
| min | max | 106 | P-C |
| 213 | 306 |     |     |

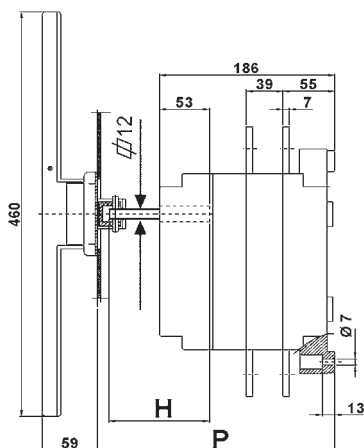
C = costante / constant

Dimensioni  
Dimensions

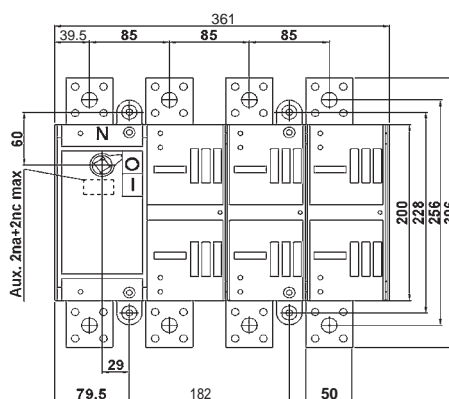
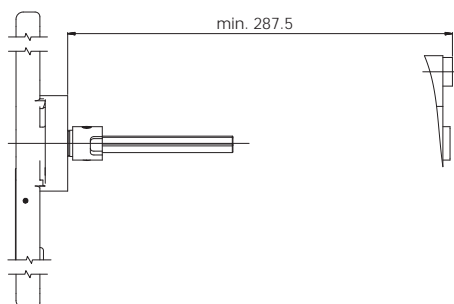


Foratura portella  
Door drilling

VC5P



maniglia diretta / direct handle



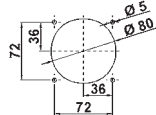
VC5P 1600 ÷ 2000 A

Legenda / Caption

| P   |     | C   | H   |
|-----|-----|-----|-----|
| min | max |     |     |
| 252 | 345 | 145 | P-C |

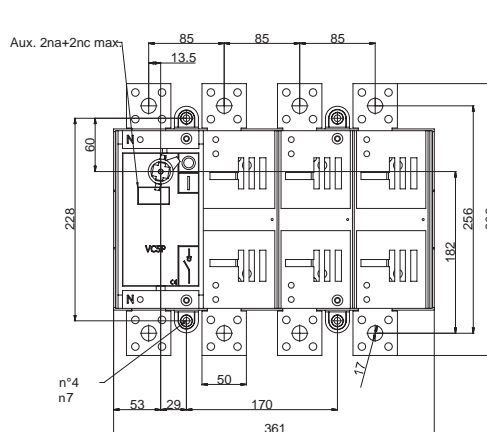
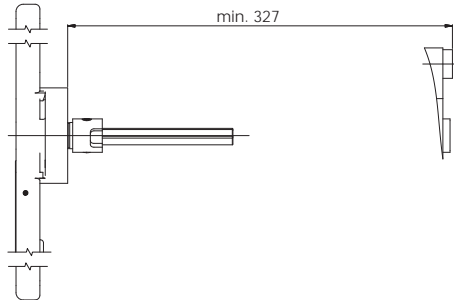
C = costante / constant

VC5P



Foratura portella  
Door drilling

maniglia diretta / direct handle



VC5P 2500 ÷ 3150 A

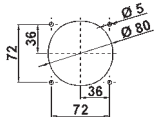
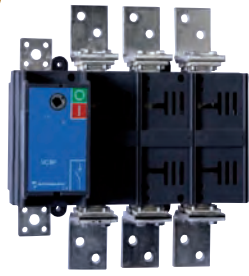
Legenda / Caption

| P   |     | C   | H   |
|-----|-----|-----|-----|
| min | max |     |     |
| 291 | 384 | 184 | P-C |

C = costante / constant

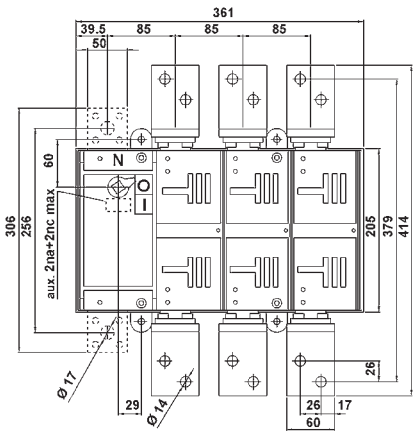
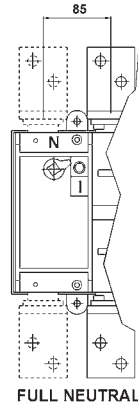
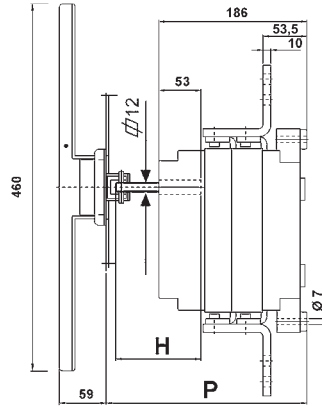


Dimensioni  
Dimensions

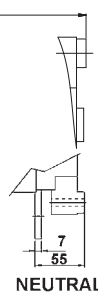
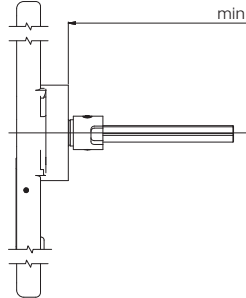


Foratura portella  
Door drilling

VC6P



maniglia diretta / direct handle



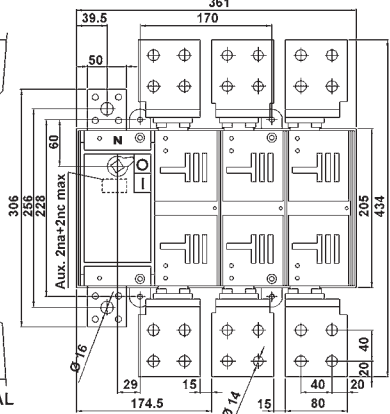
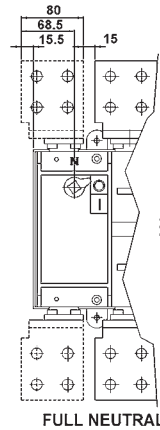
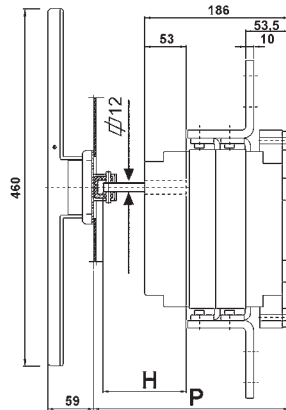
VC6P 1600 A

Legenda / Caption

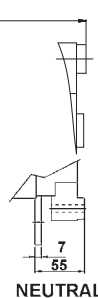
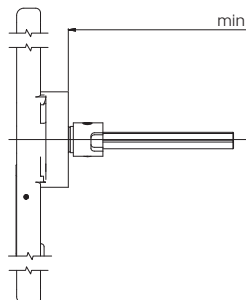
| P   |     | C   | H   |
|-----|-----|-----|-----|
| min | max | 145 | P-C |
| 252 | 345 |     |     |

C = costante / constant

VC6P



maniglia diretta / direct handle



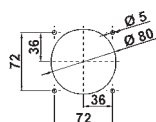
VC6P 2000 A

Legenda / Caption

| P   |     | C   | H   |
|-----|-----|-----|-----|
| min | max | 145 | P-C |
| 252 | 345 |     |     |

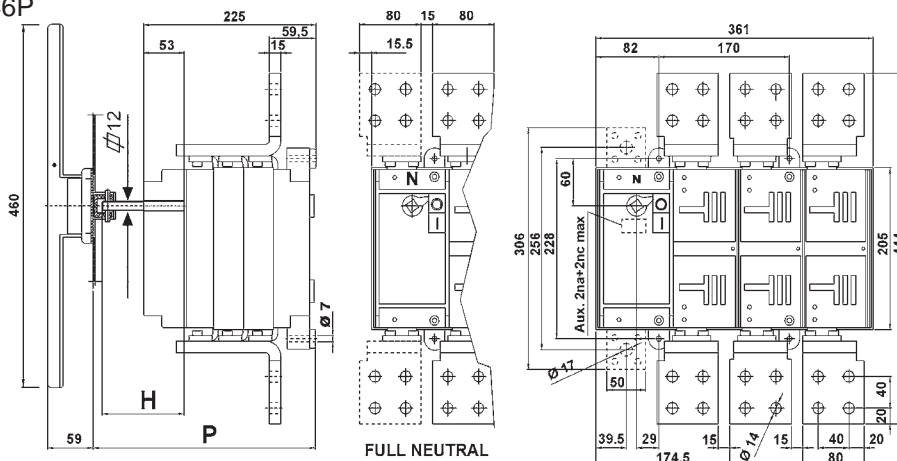
C = costante / constant

Dimensioni  
Dimensions

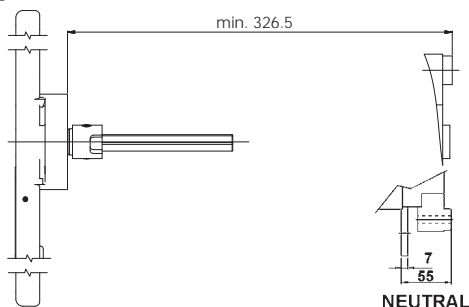


Foratura portella  
Door drilling

VC6P



maniglia diretta / direct handle



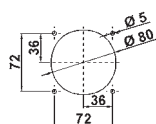
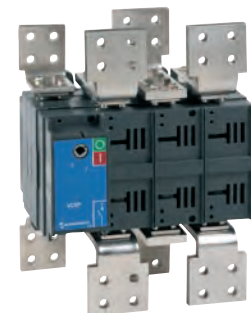
VC6P 2500 A

Legenda / Caption

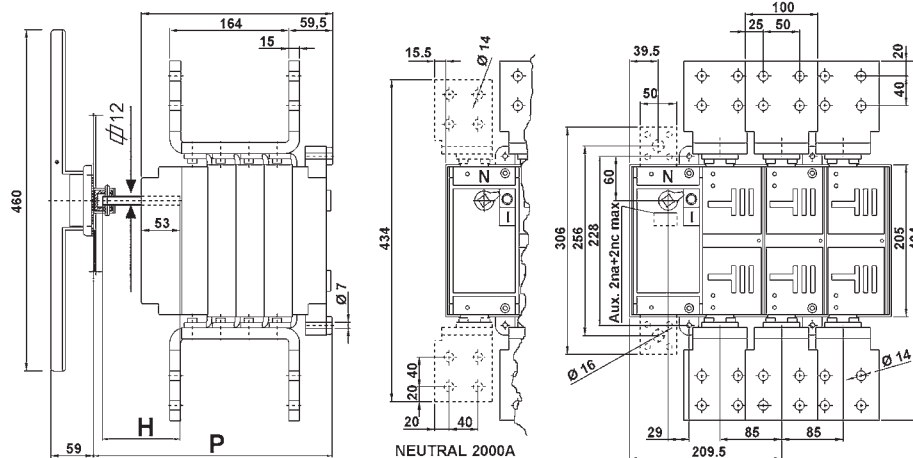
| P   |     | C   | H   |
|-----|-----|-----|-----|
| min | max |     |     |
| 291 | 384 | 184 | P-C |

C = costante / constant

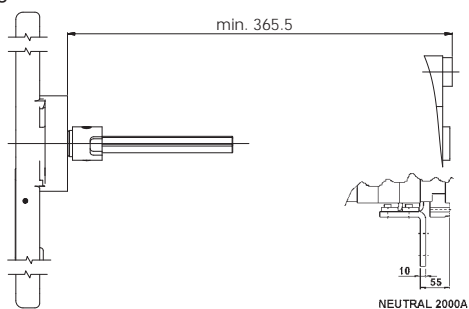
VC6P



Foratura portella  
Door drilling



maniglia diretta / direct handle



VC6P 3150 A

Legenda / Caption

| P   |     | C   | H   |
|-----|-----|-----|-----|
| min | max |     |     |
| 330 | 423 | 223 | P-C |

C = costante / constant

**EOP orizzontale / 6 - 8 poli**

**GENERALITA'**

Gli interruttori 6-8 poli della serie **VISUALCOMPACT P** sono ottenuti da due sezionatori standard (vedi caratteristiche VCP) interbloccati meccanicamente.

- > sono disponibili in 16 valori di corrente nominale
- > già assemblato
- > in kit (completo di maniglia)

**EOP horizontal / 6 - 8 poles**

**GENERALITIES**

The range of 6-8 poles switches **VISUALCOMPACT P** are made by two standard switches (see characteristics VCP) mechanical interlocked.

- > are available in 16 current ratings
- > already assembled
- > in kit (handle included)

Codici per l'ordinazione  
Order references



| Tipo<br>Type    | Corrente nominale<br>Rated current | Senza maniglia<br>Without handle |               | Maniglia blocco porta<br>Door interlock handle |               |        |
|-----------------|------------------------------------|----------------------------------|---------------|--|---------------|--------|
|                 |                                    | Poli / Poles                     | Codice / Code | Poli / Poles                                   | Codice / Code |        |
| EO1P            | 32A                                | 6P                               | 110006SM      | 6P   | 110006        |        |
|                 |                                    | 8P                               | 110106SM      | 8P   | 110106        |        |
|                 | 45A                                | 6P                               | 110016SM      | 6P   | 110016        |        |
|                 |                                    | 8P                               | 110116SM      | 8P   | 110116        |        |
|                 | 63A                                | 6P                               | 110026SM      | 6P   | 110026        |        |
|                 |                                    | 8P                               | 110126SM      | 8P   | 110126        |        |
|                 | 80A                                | 6P                               | 110036SM      | 6P   | 110036        |        |
|                 |                                    | 8P                               | 110136SM      | 8P   | 110136        |        |
|                 | 100A                               | 6P                               | 110046SM      | 6P   | 110046        |        |
|                 |                                    | 8P                               | 110146SM      | 8P   | 110146        |        |
|                 | 125A                               | 6P                               | 110056SM      | 6P   | 110056        |        |
|                 |                                    | 8P                               | 110156SM      | 8P   | 110156        |        |
|                 | 160A                               | 6P                               | 110066SM      | 6P   | 110066        |        |
|                 |                                    | 8P                               | 110166SM      | 8P   | 110166        |        |
|                 | EO2P                               | 160A                             | 6P            | 120016SM                                       | 6P            | 120016 |
|                 |                                    |                                  | 8P            | 120116SM                                       | 8P            | 120116 |
| 200A            |                                    | 6P                               | 120026SM      | 6P   | 120026        |        |
|                 |                                    | 8P                               | 120126SM      | 8P   | 120126        |        |
| 250A            |                                    | 6P                               | 120036SM      | 6P   | 120036        |        |
|                 |                                    | 8P                               | 120136SM      | 8P   | 120136        |        |
| 315A            |                                    | 6P                               | 120046SM      | 6P   | 120046        |        |
|                 |                                    | 8P                               | 120146SM      | 8P   | 120146        |        |
| EO3P            | 315A                               | 6P                               | 130016SM      | 6P   | 130016        |        |
|                 |                                    | 8P                               | 130116SM      | 8P   | 130116        |        |
|                 | 400A                               | 6P                               | 130026SM      | 6P   | 130026        |        |
|                 |                                    | 8P                               | 130126SM      | 8P   | 130126        |        |
|                 | 500A                               | 6P                               | 130036SM      | 6P   | 130036        |        |
|                 |                                    | 8P                               | 130136SM      | 8P   | 130136        |        |
|                 | EO4P                               | 630A                             | 6P            | 140036SM                                       | 6P            | 140036 |
|                 |                                    |                                  | 8P            | 140136SM                                       | 8P            | 140136 |
| 800A            |                                    | 6P                               | 140046SM      | 6P   | 140046        |        |
|                 |                                    | 8P                               | 140146SM      | 8P   | 140146        |        |
| EO5P<br>(35 kA) | 800A                               | 6P                               | 150006SM      | 6P   | 150006        |        |
|                 |                                    | 8P                               | 150106SM      | 8P   | 150106        |        |
|                 | 1000A                              | 6P                               | 150016SM      | 6P   | 150016        |        |
|                 |                                    | 8P                               | 150116SM      | 8P   | 150116        |        |
|                 | 1250A                              | 6P                               | 150026SM      | 6P   | 150026        |        |
|                 |                                    | 8P                               | 150126SM      | 8P   | 150126        |        |

\* Possibilità di esecuzione per EO con fusibili.  
Version for EO with fuses available.

**ESP sovrapposti / 6 - 8 poli**

**GENERALITA'**

Gli interruttori 6-8 poli della serie **VISUALCOMPACT P** sono ottenuti da due sezionatori standard (vedi caratteristiche VCP) interbloccati meccanicamente.

- > sono disponibili in 16 valori di corrente nominale
- > già assemblato
- > in kit (completo di maniglia)

**ESP two layers / 6 - 8 poles**

**GENERALITIES**

The range of 6-8 poles switches **VISUALCOMPACT P** are made by two standard switches (see characteristics VCP) mechanical interlocked.

- > are available in 16 current ratings
- > already assembled
- > in kit (handle included)

Codici per l'ordinazione  
Order references



| Tipo<br>Type    | Corrente nominale<br>Rated current | Senza maniglia<br>Without handle |               | Maniglia blocco porta<br>Door interlock handle |               |        |
|-----------------|------------------------------------|----------------------------------|---------------|--|---------------|--------|
|                 |                                    | Poli / Poles                     | Codice / Code | Poli / Poles                                   | Codice / Code |        |
| ES1P            | 32A                                | 6P                               | 110009SM      | 6P   | 110009        |        |
|                 |                                    | 8P                               | 110109SM      | 8P   | 110109        |        |
|                 | 45A                                | 6P                               | 110019SM      | 6P   | 110019        |        |
|                 |                                    | 8P                               | 110119SM      | 8P   | 110119        |        |
|                 | 63A                                | 6P                               | 110029SM      | 6P   | 110029        |        |
|                 |                                    | 8P                               | 110129SM      | 8P   | 110129        |        |
|                 | 80A                                | 6P                               | 110039SM      | 6P   | 110039        |        |
|                 |                                    | 8P                               | 110139SM      | 8P   | 110139        |        |
|                 | 100A                               | 6P                               | 110049SM      | 6P   | 110049        |        |
|                 |                                    | 8P                               | 110149SM      | 8P   | 110149        |        |
|                 | 125A                               | 6P                               | 110059SM      | 6P   | 110059        |        |
|                 |                                    | 8P                               | 110159SM      | 8P   | 110159        |        |
|                 | 160A                               | 6P                               | 110069SM      | 6P   | 110069        |        |
|                 |                                    | 8P                               | 110169SM      | 8P   | 110169        |        |
|                 | ES2P                               | 160A                             | 6P            | 120019SM                                       | 6P            | 120019 |
|                 |                                    |                                  | 8P            | 120119SM                                       | 8P            | 120119 |
| 200A            |                                    | 6P                               | 120029SM      | 6P   | 120029        |        |
|                 |                                    | 8P                               | 120129SM      | 8P   | 120129        |        |
| 250A            |                                    | 6P                               | 120039SM      | 6P   | 120039        |        |
|                 |                                    | 8P                               | 120139SM      | 8P   | 120139        |        |
| 315A            | 6P                                 | 120049SM                         | 6P            | 120049   |               |        |
|                 | 8P                                 | 120149SM                         | 8P            | 120149   |               |        |
| ES3P            | 315A                               | 6P                               | 130019SM      | 6P   | 130019        |        |
|                 |                                    | 8P                               | 130119SM      | 8P   | 130119        |        |
|                 | 400A                               | 6P                               | 130029SM      | 6P   | 130029        |        |
|                 |                                    | 8P                               | 130129SM      | 8P   | 130129        |        |
|                 | 500A                               | 6P                               | 130039SM      | 6P   | 130039        |        |
|                 |                                    | 8P                               | 130139SM      | 8P   | 130139        |        |
| ES4P            | 630A                               | 6P                               | 140039SM      | 6P   | 140039        |        |
|                 |                                    | 8P                               | 140139SM      | 8P   | 140139        |        |
|                 | 800A                               | 6P                               | 140049SM      | 6P   | 140049        |        |
|                 |                                    | 8P                               | 140149SM      | 8P   | 140149        |        |
| ES5P<br>(35 kA) | 800A                               | 6P                               | 150009SM      | 6P   | 150009        |        |
|                 |                                    | 8P                               | 150109SM      | 8P   | 150109        |        |
|                 | 1000A                              | 6P                               | 150019SM      | 6P   | 150019        |        |
|                 |                                    | 8P                               | 150119SM      | 8P   | 150119        |        |
|                 | 1250A                              | 6P                               | 150029SM      | 6P   | 150029        |        |
|                 | 8P                                 | 150129SM                         | 8P            | 150129   |               |        |

**ECP verticale / 6 - 8 poli**

**GENERALITA'**

Gli interruttori 6-8 poli della serie **VISUALCOMPACT P** sono ottenuti da due sezionatori standard (vedi caratteristiche VCP) interbloccati meccanicamente.

> sono disponibili in 16 valori di corrente nominale

> già assemblato

> in kit (completo di maniglia)

**ECP vertical / 6 - 8 poles**

**GENERALITIES**

The range of 6-8 poles switches **VISUALCOMPACT P** are made by two standard switches (see characteristics VCP) mechanical interlocked.

> are available in 16 current ratings

> already assembled

> in kit (handle included)

Codici per l'ordinazione  
Order references



| Tipo<br>Type    | Corrente nominale<br>Rated current | Senza maniglia<br>Without handle |               | Maniglia blocco porta<br>Door interlock handle |               |        |
|-----------------|------------------------------------|----------------------------------|---------------|--|---------------|--------|
|                 |                                    | Poli / Poles                     | Codice / Code | Poli / Poles                                   | Codice / Code |        |
| EC1P            | 32A                                | 6P                               | 11004SM       | 6P   | 110004        |        |
|                 |                                    | 8P                               | 110104SM      | 8P   | 110104        |        |
|                 | 45A                                | 6P                               | 110014SM      | 6P   | 110014        |        |
|                 |                                    | 8P                               | 110114SM      | 8P   | 110114        |        |
|                 | 63A                                | 6P                               | 110024SM      | 6P   | 110024        |        |
|                 |                                    | 8P                               | 110124SM      | 8P   | 110124        |        |
|                 | 80A                                | 6P                               | 110034SM      | 6P   | 110034        |        |
|                 |                                    | 8P                               | 110134SM      | 8P   | 110134        |        |
|                 | 100A                               | 6P                               | 110044SM      | 6P   | 110044        |        |
|                 |                                    | 8P                               | 110144SM      | 8P   | 110144        |        |
|                 | 125A                               | 6P                               | 110054SM      | 6P   | 110054        |        |
|                 |                                    | 8P                               | 110154SM      | 8P   | 110154        |        |
|                 | 160A                               | 6P                               | 110064SM      | 6P   | 110064        |        |
|                 |                                    | 8P                               | 110164SM      | 8P   | 110164        |        |
|                 | EC2P                               | 160A                             | 6P            | 120014SM                                       | 6P            | 120014 |
|                 |                                    |                                  | 8P            | 120114SM                                       | 8P            | 120114 |
| 200A            |                                    | 6P                               | 120024SM      | 6P   | 120024        |        |
|                 |                                    | 8P                               | 120124SM      | 8P   | 120124        |        |
| 250A            |                                    | 6P                               | 120034SM      | 6P   | 120034        |        |
|                 |                                    | 8P                               | 120134SM      | 8P   | 120134        |        |
| 315A            | 6P                                 | 120044SM                         | 6P            | 120044   |               |        |
|                 | 8P                                 | 120144SM                         | 8P            | 120144   |               |        |
| EC3P            | 315A                               | 6P                               | 130014SM      | 6P   | 130014        |        |
|                 |                                    | 8P                               | 130114SM      | 8P   | 130114        |        |
|                 | 400A                               | 6P                               | 130024SM      | 6P   | 130024        |        |
|                 |                                    | 8P                               | 130124SM      | 8P   | 130124        |        |
|                 | 500A                               | 6P                               | 130034SM      | 6P   | 130034        |        |
|                 |                                    | 8P                               | 130134SM      | 8P   | 130134        |        |
| EC4P            | 630A                               | 6P                               | 140034SM      | 6P   | 140034        |        |
|                 |                                    | 8P                               | 140134SM      | 8P   | 140134        |        |
|                 | 800A                               | 6P                               | 140044SM      | 6P   | 140044        |        |
|                 |                                    | 8P                               | 140144SM      | 8P   | 140144        |        |
| EC5P<br>(35 kA) | 800A                               | 6P                               | 150004SM      | 6P   | 150004        |        |
|                 |                                    | 8P                               | 150104SM      | 8P   | 150104        |        |
|                 | 1000A                              | 6P                               | 150014SM      | 6P   | 150014        |        |
|                 |                                    | 8P                               | 150114SM      | 8P   | 150114        |        |
|                 | 1250A                              | 6P                               | 150024SM      | 6P   | 150024        |        |
|                 |                                    | 8P                               | 150124SM      | 8P   | 150124        |        |

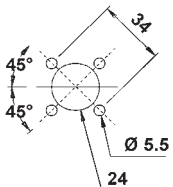
Possibilità di esecuzione per EC con fusibili.  
Version for EC with fuses available.

Dimensioni  
Dimensions

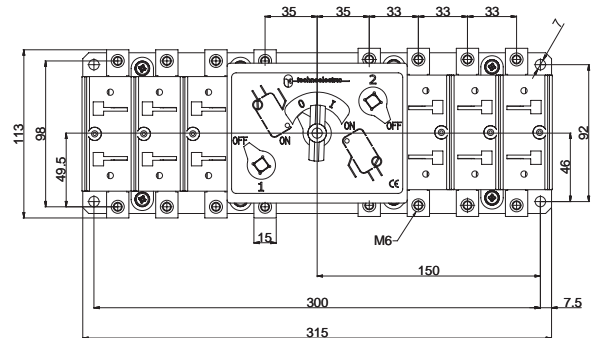
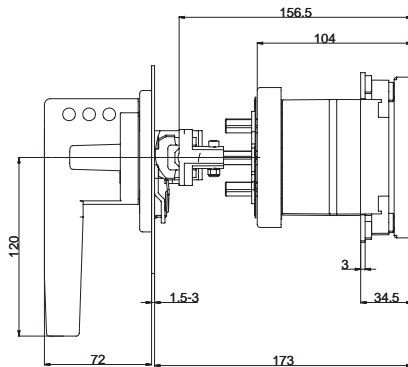
Interruttori 6-8 poli  
orizzontali  
Horizontal switch  
6-8 poles



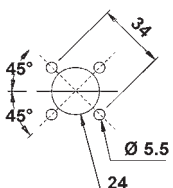
EO1P



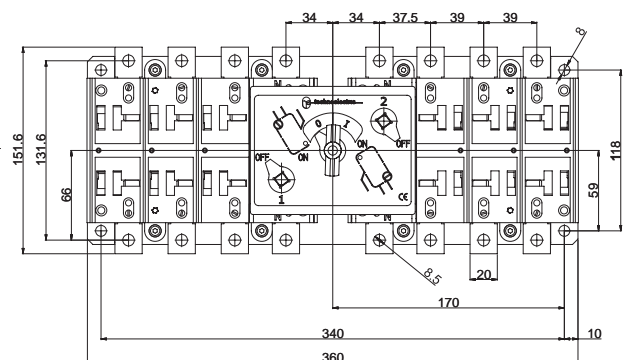
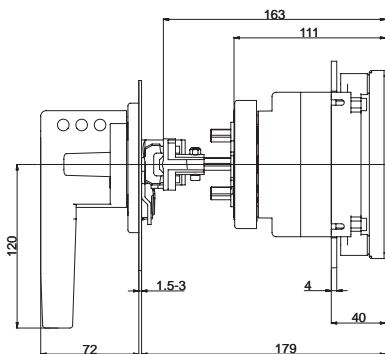
Foratura portella  
Door drilling



EO2P

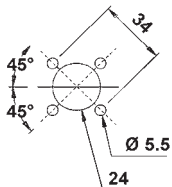


Foratura portella  
Door drilling



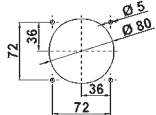
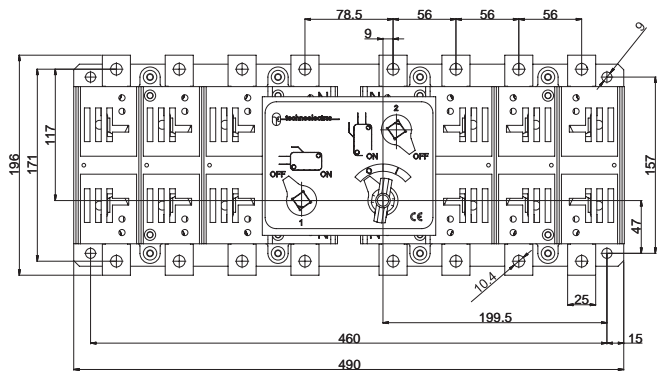
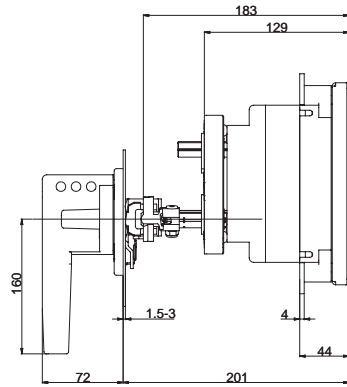
Dimensioni  
Dimensions

Interruttori 6-8 poli  
orizzontali  
Horizontal switch  
6-8 poles



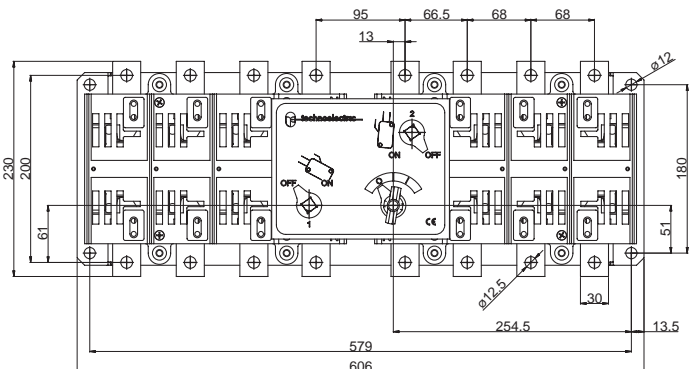
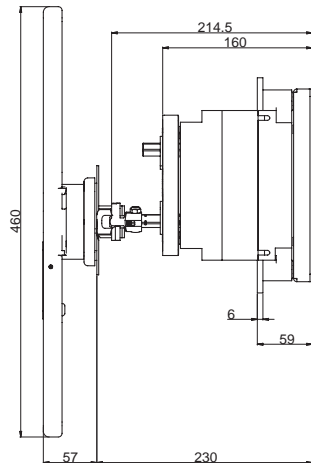
Foratura portella  
Door drilling

EO3P



Foratura portella  
Door drilling

EO4P

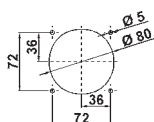


Dimensioni  
Dimensions

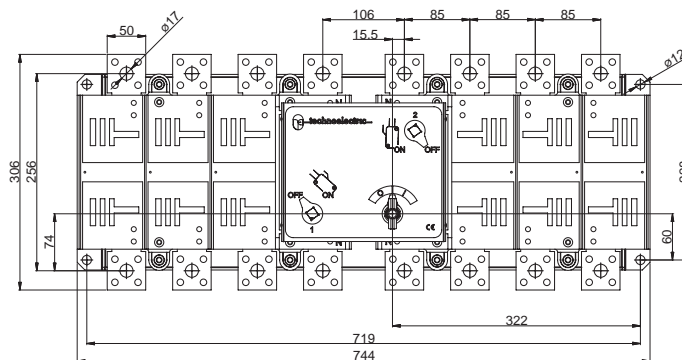
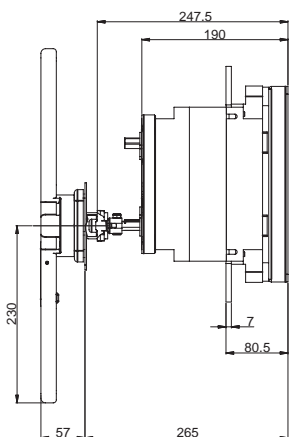
Interruttori 6-8 poli  
orizzontali  
Horizontal switch  
6-8 poles



EO5P



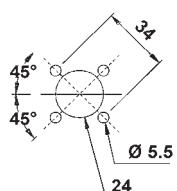
Foratura portella  
Door drilling



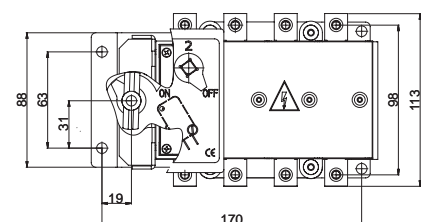
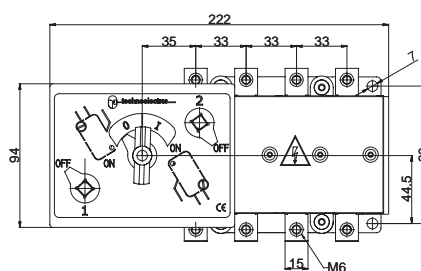
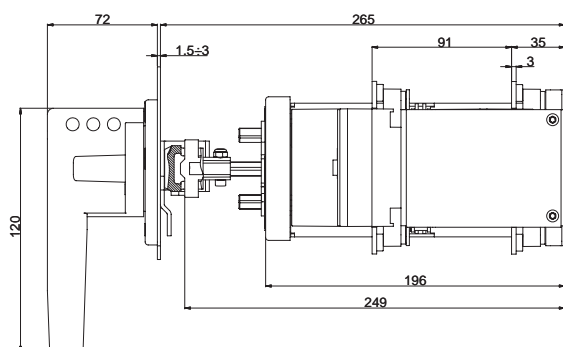
Interruttori 6-8 poli  
sovrapposti  
Two layers switch  
6-8 poles



ES1P



Foratura portella  
Door drilling



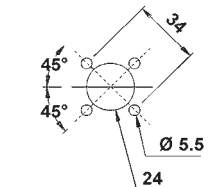
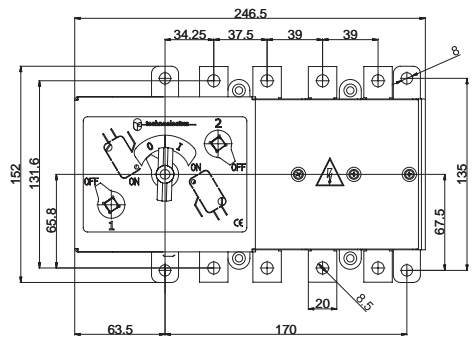
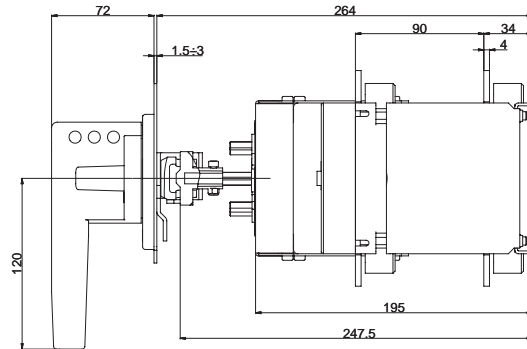


Dimensioni  
Dimensions

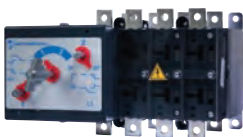
Interruttori 6-8 poli  
sovrapposti  
Two layers switch  
6-8 poles



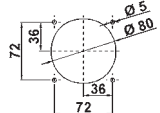
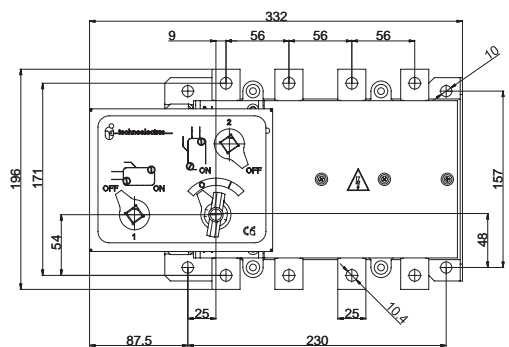
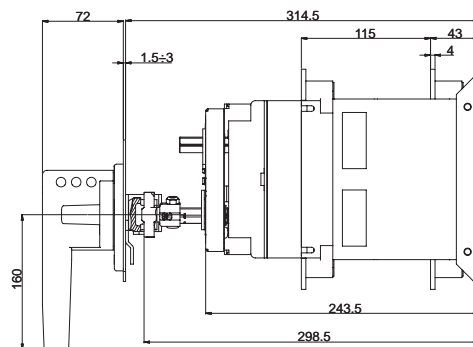
ES2P



Foratura portella  
Door drilling



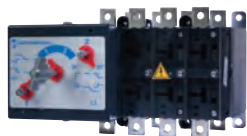
ES3P



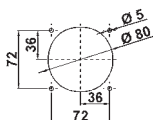
Foratura portella  
Door drilling

Dimensioni  
Dimensions

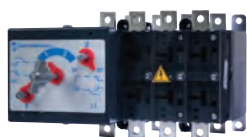
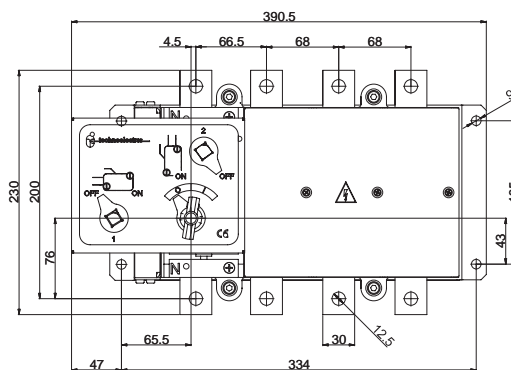
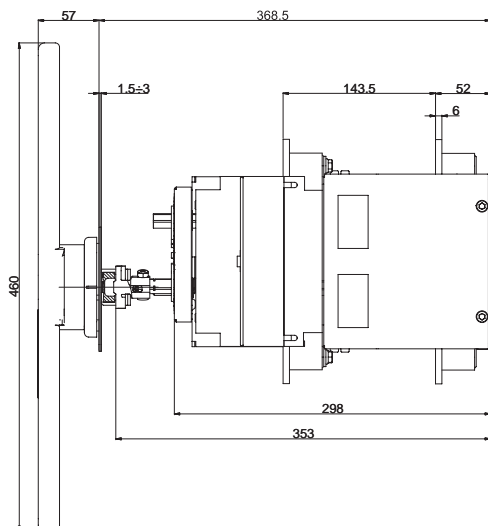
Interruttori 6-8 poli  
sovrapposti  
Two layers switch  
6-8 poles



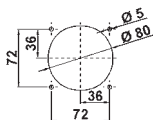
ES4P



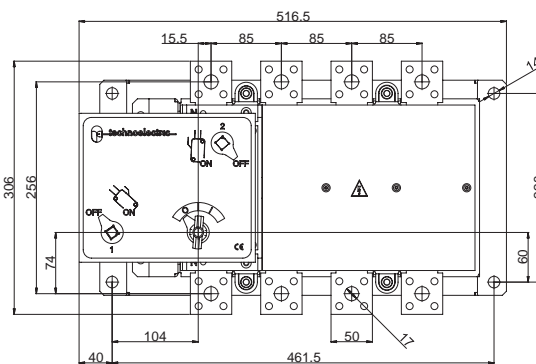
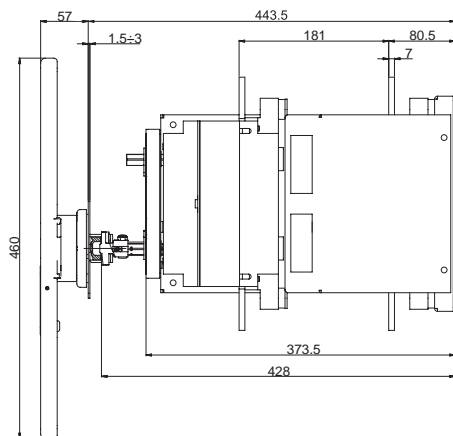
Foratura portella  
Door drilling



ES5P



Foratura portella  
Door drilling

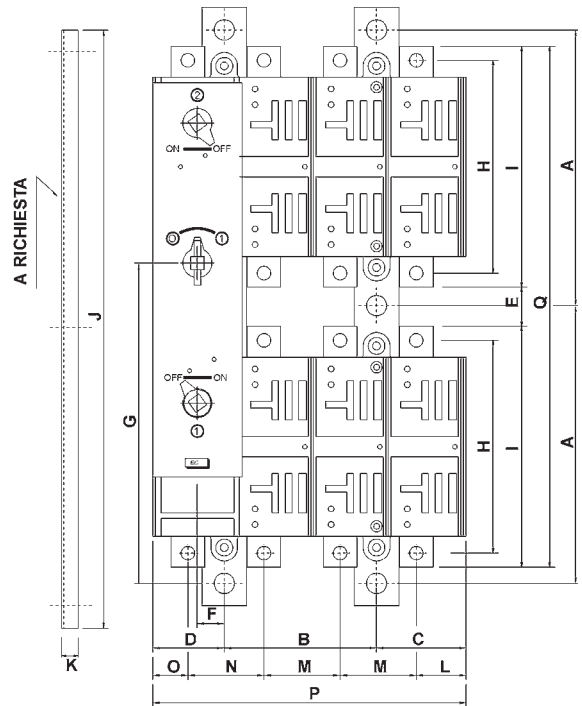
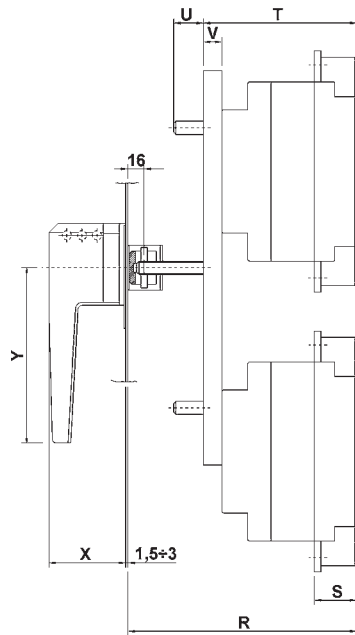


Dimensioni  
Dimensions

Interruttori 6-8 poli  
verticali  
Vertical switch  
6-8 poles



ECP



| Tipo / Type      | A     | B   | C     | D    | E  | F    | G     | H   | I   | J   | K  | L  | M  | N    | O    | P     | Q   | R     | S    | T     | U    | V    | X  | Y     |
|------------------|-------|-----|-------|------|----|------|-------|-----|-----|-----|----|----|----|------|------|-------|-----|-------|------|-------|------|------|----|-------|
| EC1P 32 ÷ 160A   | 131   | 66  | 40,5  | 39   | 27 | 14   | 152   | 98  | 113 | 282 | 10 | 24 | 33 | 33   | 22   | 145,5 | 253 | 174   | 21   | 90    | 20   | 15   | 71 | 120   |
| EC2P 160 ÷ 315A  | 157,5 | 78  | 49,5  | 40,5 | 23 | 14,5 | 179   | 130 | 147 | 335 | 10 | 30 | 39 | 37,5 | 22,5 | 168   | 317 | 182   | 29,5 | 96    | 20   | 15   | 71 | 120   |
| EC3P 315 ÷ 500A  | 230   | 114 | 68    | 56   | 44 | 21   | 261,5 | 171 | 196 | 480 | 10 | 38 | 56 | 56   | 32   | 235   | 436 | 202,5 | 31   | 109,5 | 30,5 | 16,5 | 71 | 120   |
| EC4P 630 ÷ 800A  | 235   | 136 | 80    | 64   | 20 | 24   | 254   | 200 | 230 | 490 | 15 | 46 | 68 | 66,5 | 31,5 | 280   | 480 | 227   | 42   | 137   | 24   | 16,5 | 71 | 160   |
| EC5P 800 ÷ 1250A | 319   | 170 | 106,5 | 79,5 | 84 | 29   | 353   | 246 | 286 | 658 | 15 | 64 | 85 | 85   | 37   | 356   | 676 | 253   | 52,5 | 163,5 | 36   | 36   | 71 | 230x2 |

**PBA visualcompact con dispositivo di apertura**

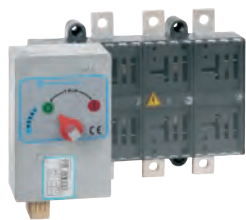
**PBA visualcompact with tripping device**

**GENERALITA'**

**GENERALITIES**

Gli interruttori della serie **VISUALCOMPACT PBA** sono 3 - 4 poli con comando manuale, corredati di un comando di apertura locale per mezzo di maniglia e a distanza tramite bobina a lancio di corrente alimentata dall'esterno.

The switch disconnectors **VISUALCOMPACT PBA** are 3 - 4 poles manually operated and are supplied with a remote tripping device by means of a current shot coil.



Codici per l'ordinazione  
Order references

| Tipo<br>Type  | Corrente nominale<br>Rated current | V aux. bobina / V aux coil |        |                |         |                 |         |                 |         |                 |         |
|---------------|------------------------------------|----------------------------|--------|----------------|---------|-----------------|---------|-----------------|---------|-----------------|---------|
|               |                                    | 24 V c.c. / DC             |        | 48 V c.c. / DC |         | 110 V c.c. / DC |         | 110 V c.a. / AC |         | 220 V c.a. / AC |         |
|               |                                    | 3P                         | 4P     | 3P             | 4P      | Poli - Poles    |         | 3P              | 4P      | 3P              | 4P      |
| VC4P BA       | 400 A                              | 14002B                     | 14012B | 14002B1        | 14012B1 | 14002B2         | 14012B2 | 14002B3         | 14012B3 | 14002B4         | 14012B4 |
|               | 630 A                              | 14003B                     | 14013B | 14003B1        | 14013B1 | 14003B2         | 14013B2 | 14003B3         | 14013B3 | 14003B4         | 14013B4 |
|               | 800 A                              | 14004B                     | 14014B | 14004B1        | 14014B1 | 14004B2         | 14014B2 | 14004B3         | 14014B3 | 14004B4         | 14014B4 |
| VC5P BA 35 kA | 800 A                              | 15000B                     | 15010B | 15000B1        | 15010B1 | 15000B2         | 15010B2 | 15000B3         | 15010B3 | 15000B4         | 15010B4 |
|               | 1000 A                             | 15001B                     | 15011B | 15001B1        | 15011B1 | 15001B2         | 15011B2 | 15001B3         | 15011B3 | 15001B4         | 15011B4 |
|               | 1250 A                             | 15002B                     | 15012B | 15002B1        | 15012B1 | 15002B2         | 15012B2 | 15002B3         | 15012B3 | 15002B4         | 15012B4 |
| VC5P BA 50 kA | 800 A                              | 15007B                     | 15017B | 15007B1        | 15017B1 | 15007B2         | 15017B2 | 15007B3         | 15017B3 | 15007B4         | 15017B4 |
|               | 1000 A                             | 15008B                     | 15018B | 15008B1        | 15018B1 | 15008B2         | 15018B2 | 15008B3         | 15018B3 | 15008B4         | 15018B4 |
|               | 1250 A                             | 15009B                     | 15019B | 15009B1        | 15019B1 | 15009B2         | 15019B2 | 15009B3         | 15019B3 | 15009B4         | 15019B4 |
|               | 1600 A                             | 15003B                     | 15013B | 15003B1        | 15013B1 | 15003B2         | 15013B2 | 15003B3         | 15013B3 | 15003B4         | 15013B4 |
|               | 2000 A                             | 15004B                     | 15014B | 15004B1        | 15014B1 | 15004B2         | 15014B2 | 15004B3         | 15014B3 | 15004B4         | 15014B4 |
| VC6P BA       | 1600 A                             | 16000B                     | 16010B | 16000B1        | 16010B1 | 16000B2         | 16010B2 | 16000B3         | 16010B3 | 16000B4         | 16010B4 |
|               | 2000 A                             | 16001B                     | 16011B | 16001B1        | 16011B1 | 16001B2         | 16011B2 | 16001B3         | 16011B3 | 16001B4         | 16011B4 |

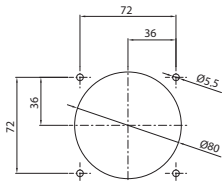
Accessori  
Accessories



| Tipo di maniglia<br>Handle type | Maniglia blocco porta<br>Door interlock handle | Maniglia diretta<br>Direct handle |
|---------------------------------|--|-----------------------------------|
| 150 (mm)                        | 18856  | 18857                             |

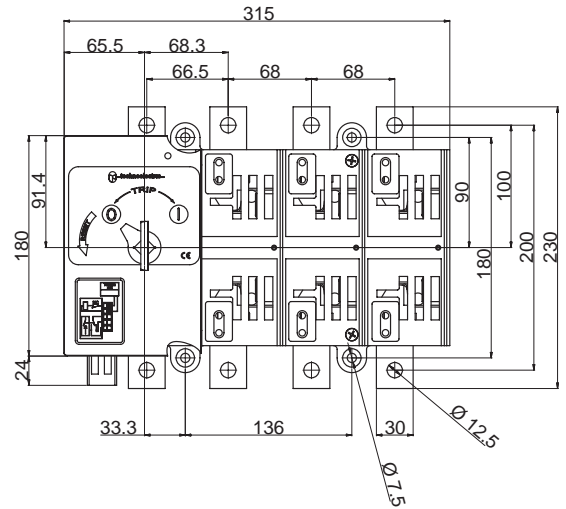
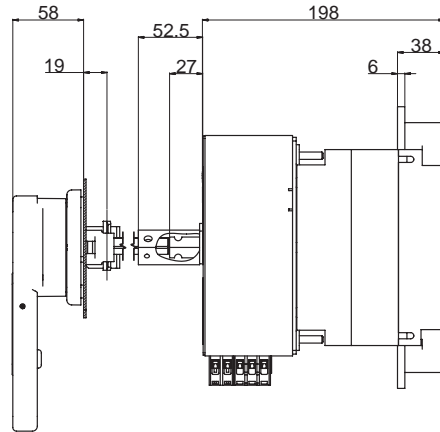
| Prolunga albero di comando<br>Extension shaft | Codice<br>Code |
|---|----------------|
| 100 (mm)                                      | 18032          |
| 200 (mm)                                      | 18035          |
| 300 (mm)                                      | 18038          |

Dimensioni  
Dimensions

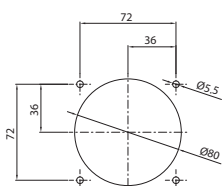


Foratura portella  
Door drilling

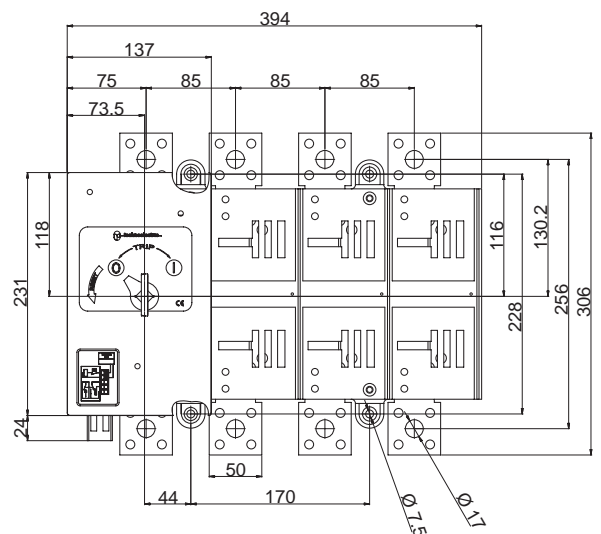
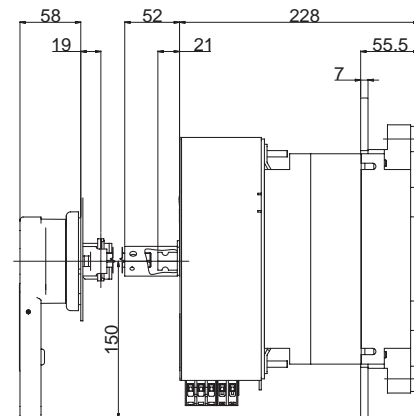
VC4P BA 400 ÷ 630 A



VC5P BA 800 ÷ 1250 A

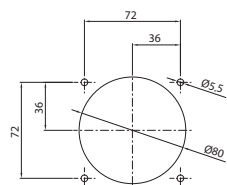


Foratura portella  
Door drilling

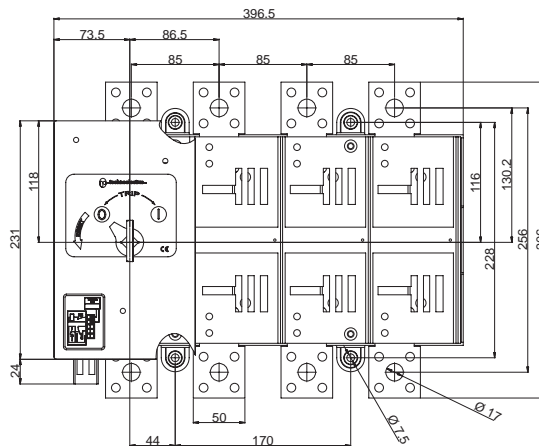
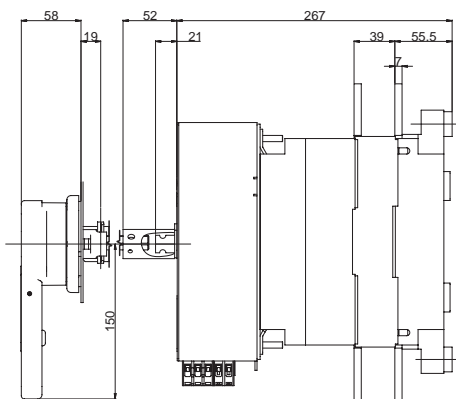


Dimensioni  
Dimensions

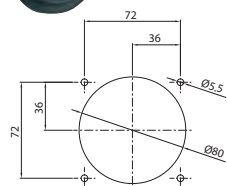
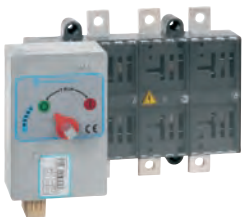
VC5P BA 1600 ÷ 2000 A



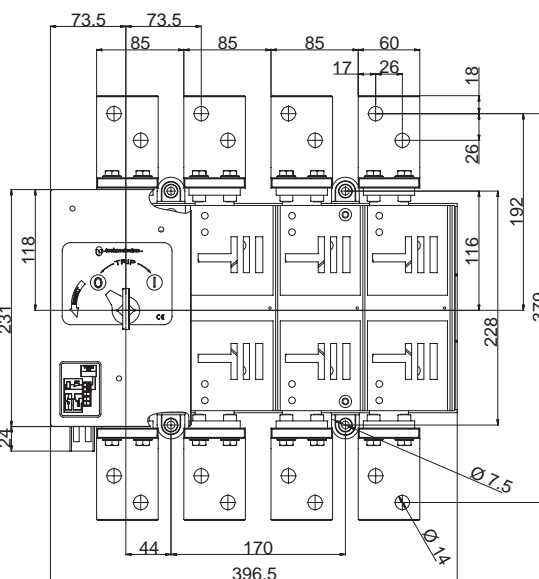
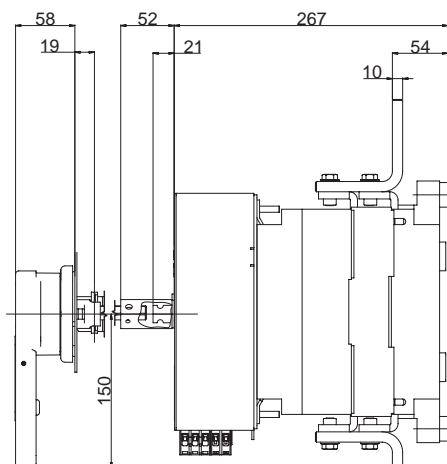
Foratura portella  
Door drilling



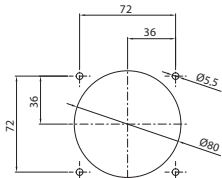
VC6P BA 1600 A



Foratura portella  
Door drilling

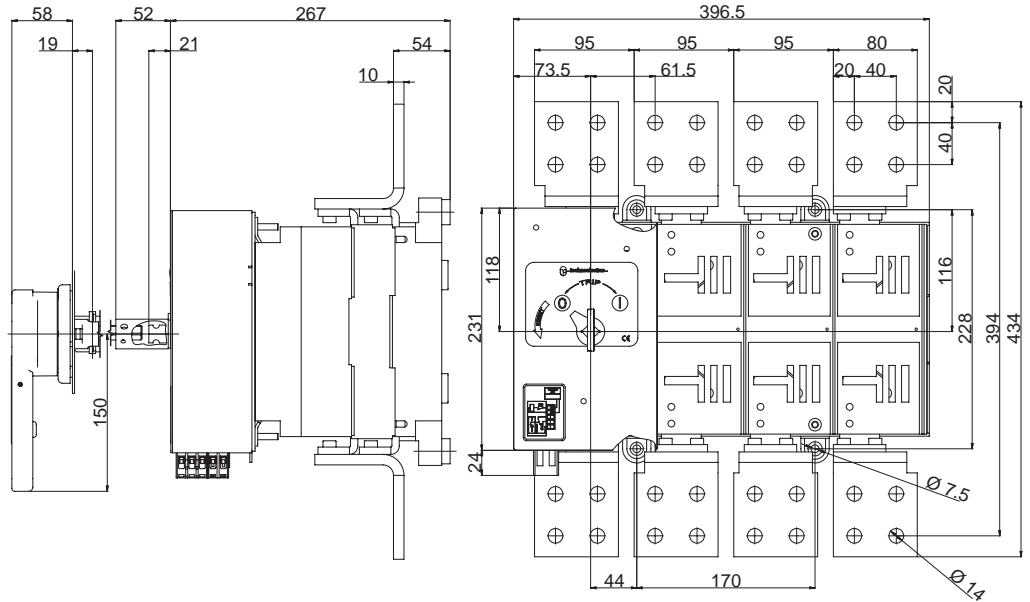


Dimensioni  
Dimensions

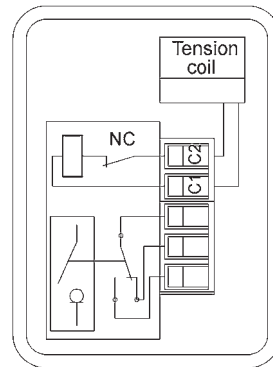


Foratura portella  
Door drilling

VC6P BA 2000 A



Schema morsettiera  
Terminal board diagram



## VISUALCOMPACT VCP MS Interruttori di manovra a comando motorizzato

### GENERALITA'

La nuova serie **VISUALCOMPACT P MS** consta di interruttori-sezionatori motorizzati a 3 - 4 poli con e senza porta fusibili. Assicura, attraverso un comando a distanza, manovre di apertura e chiusura sotto carico in sistemi e impianti di bassa tensione.

### CARATTERISTICHE GENERALI

Le caratteristiche tecniche degli interruttori di manovra sezionatori impiegati nei VISUALCOMPACT P MS sono rispondenti a quanto riportato nei capitoli riguardanti la serie VISUALCOMPACT P.

- > Manovra manuale d'emergenza (0-1 e 1-0) con maniglia a corredo.
- > Blocco meccanico di sicurezza lucchettabile che interdice la manovra elettrica e manuale.
- > Visualizzazione meccanica e luminosa (led) della pos. 0,1
- > Segnalazione esterna della posizione tramite contatto AUX. (vedi morsettiera)
- > tempo di manovra (0-1 o 1-0) 1,5 sec.
- > Alimentazione aux. 12/24VCC 110/220/380VCA
- > Temperatura ambiente di funzionamento - 20°C + 45°C con lucchetto in posizione 0.

### CONFORMITÀ ALLE NORME

IEC 60947-1 IEC 60947-3, CEI EN 60947-1 / CEI EN 60947-3  
IEC 439-1, CEI EN 60439-1  
IEC 204-1, CEI EN 60204-1  
VDE 0660 Teil 107

## VISUALCOMPACT VCP MS Motorized load break switches

### GENERALITIES

The new series **VISUALCOMPACT P MS** are 3 - 4 poles load break switches and fuse load break switches. They allow making and breaking operations of low voltage system under load by control.

### GENERAL CHARACTERISTICS

The technical characteristics of the load break switches used in the VISUALCOMPACT P MS are correspondent to as shown in the chapter of VISUALCOMPACT P series.

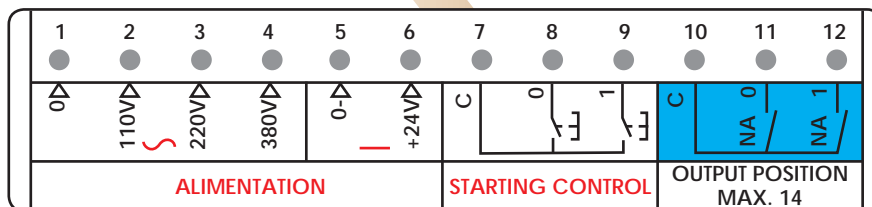
- > Emergency manual operation (0-1 and 1-0) by means of equipped handle.
- > Emergency padlockable mechanical block of electrical and manual operations
- > Mechanical and illuminate indication (led) of position 0,1
- > External input of position segnalization by auxiliary contacts (see terminal board diagram)
- > 0-1 or 1-0 operating time 1,5 sec.
- > Voltages 12/24V DC, 110/220/380V AC
- > Working ambient temperature from - 20°C + 45°C padlock in 0 position

### CONFORMITY TO STANDARDS

IEC 60947-1 IEC 60947-3, CEI EN 60947-1 / CEI EN 60947-3  
IEC 439-1, CEI EN 60439-1  
IEC 204-1, CEI EN 60204-1  
VDE 0660 Teil 107

Codici per l'ordinazione  
Order references

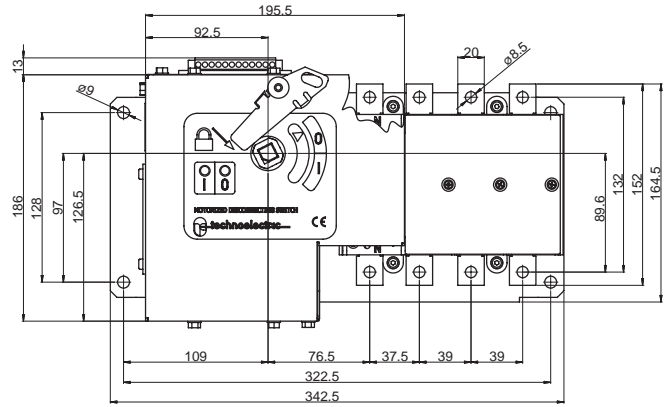
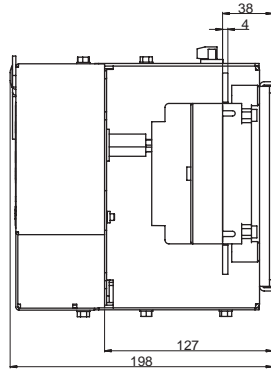
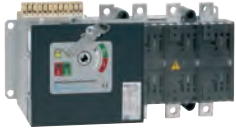
| Tipo<br>Type       | Corrente nominale<br>Rated current | Poli / Poles |         |
|--------------------|------------------------------------|--------------|---------|
|                    |                                    | 3P           | 4P      |
| VC2P MS            | 160 A                              | 12001MS      | 12011MS |
|                    | 200 A                              | 12002MS      | 12012MS |
|                    | 250 A                              | 12003MS      | 12013MS |
| VC3P MS            | 315 A                              | 13001MS      | 13011MS |
|                    | 400 A                              | 13002MS      | 13012MS |
| VC4P MS            | 630 A                              | 14003MS      | 14013MS |
|                    | 800 A                              | 15000MS      | 15010MS |
| VC5P MS<br>(35 kA) | 1000 A                             | 15001MS      | 15011MS |
|                    | 1250 A                             | 15002MS      | 15012MS |
|                    | 800 A                              | 15007MS      | 15017MS |
| VC5P MS<br>(50 kA) | 1000 A                             | 15008MS      | 15018MS |
|                    | 1250 A                             | 15009MS      | 15019MS |
|                    | 1600 A                             | 15003MS      | 15013MS |
|                    | 2000 A                             | 15004MS      | 15014MS |
|                    | 2500 A                             | 15005MS      | 15015MS |
|                    | 3150 A                             | 15006MS      | 15016MS |
| VC6P MS            | 1600 A                             | 16000MS      | 16010MS |
|                    | 2000 A                             | 16001MS      | 16011MS |
|                    | 2500 A                             | 16002MS      | 16012MS |
|                    | 3150 A                             | 16003MS      | 16013MS |



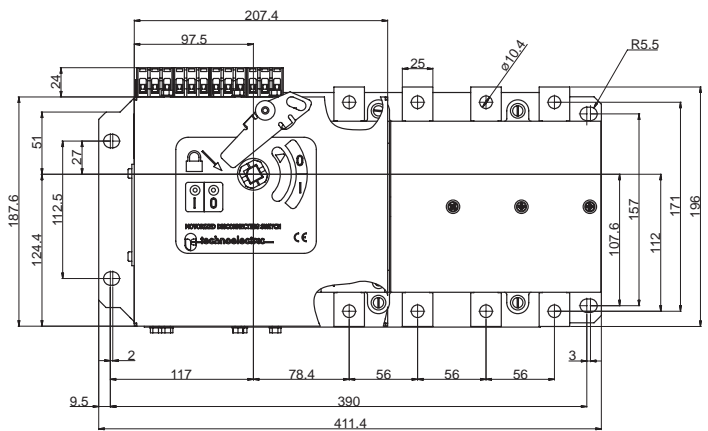
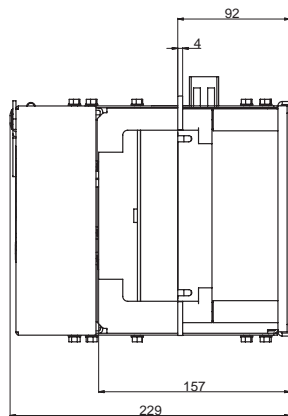
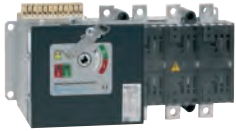


Dimensioni  
Dimensions

VC2P MS

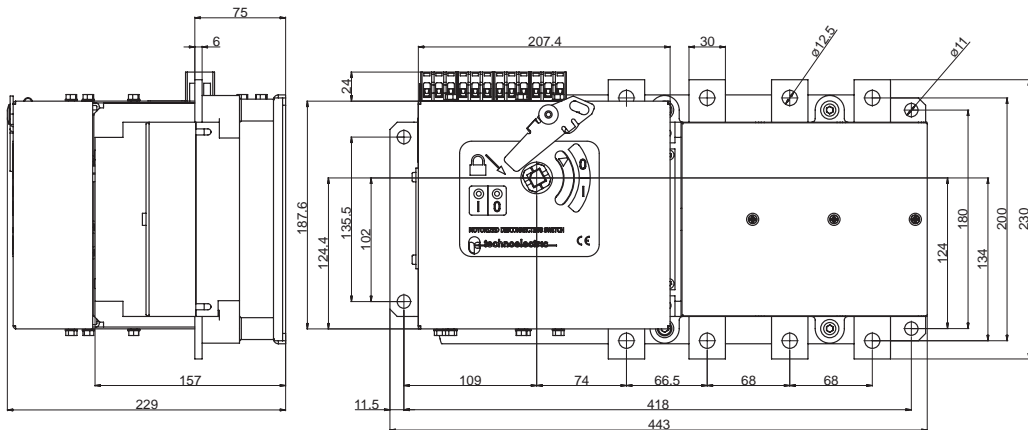


VC3P MS

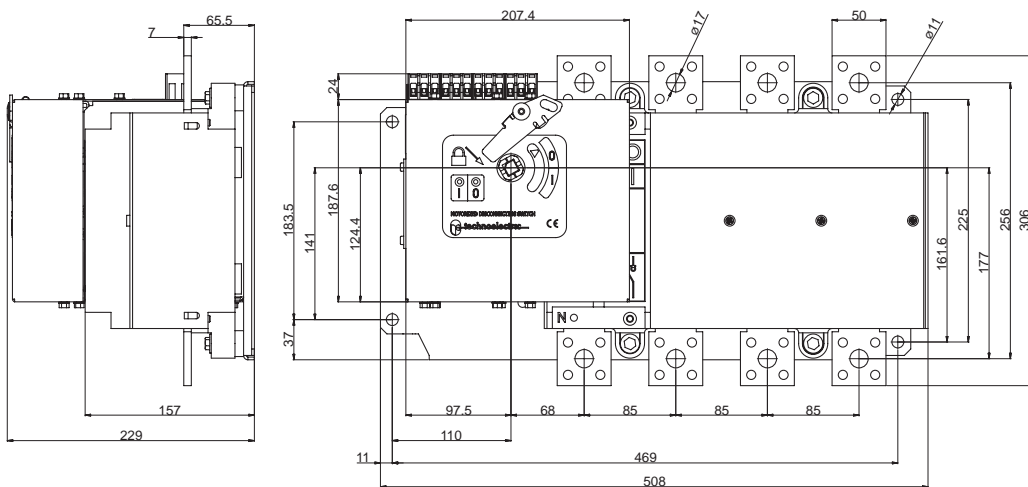


Dimensioni  
Dimensions

VC4P MS

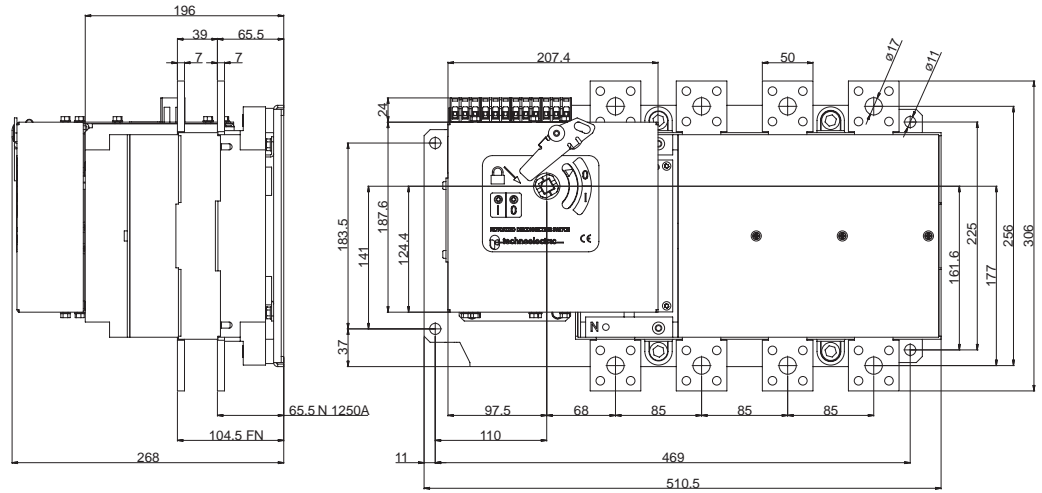


VC5P MS 1250 A

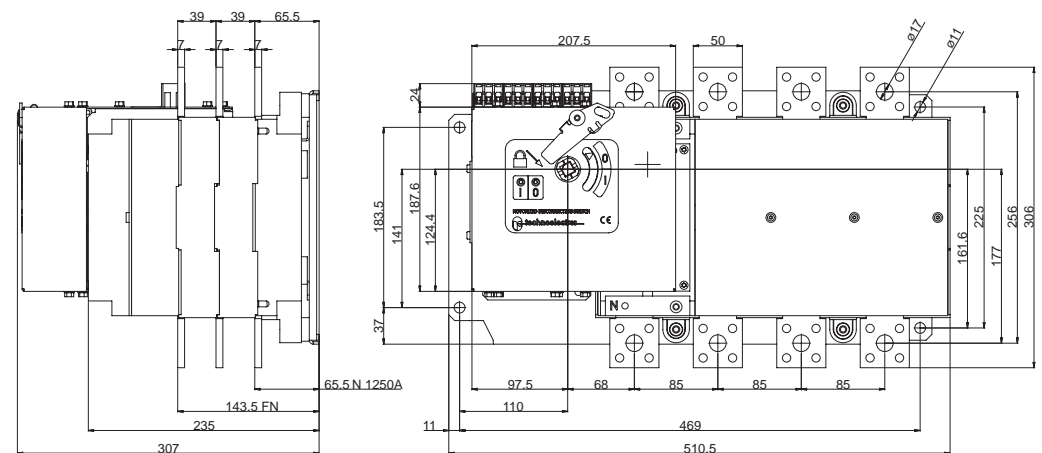


Dimensioni  
Dimensions

VC5P MS 2000 A

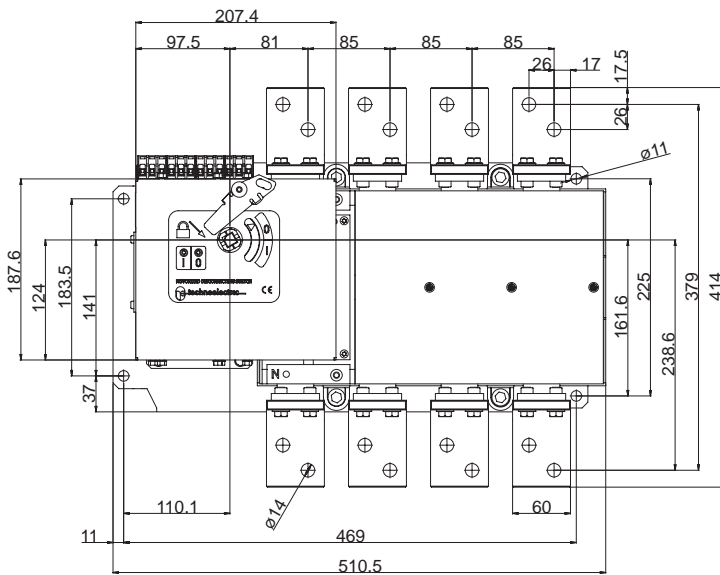
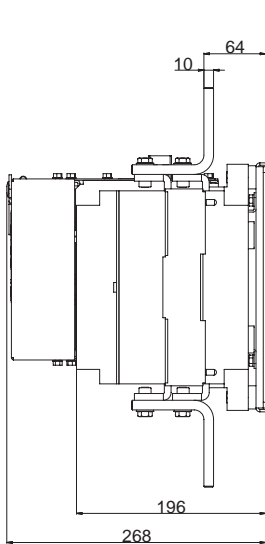


VC5P MS 2500 A

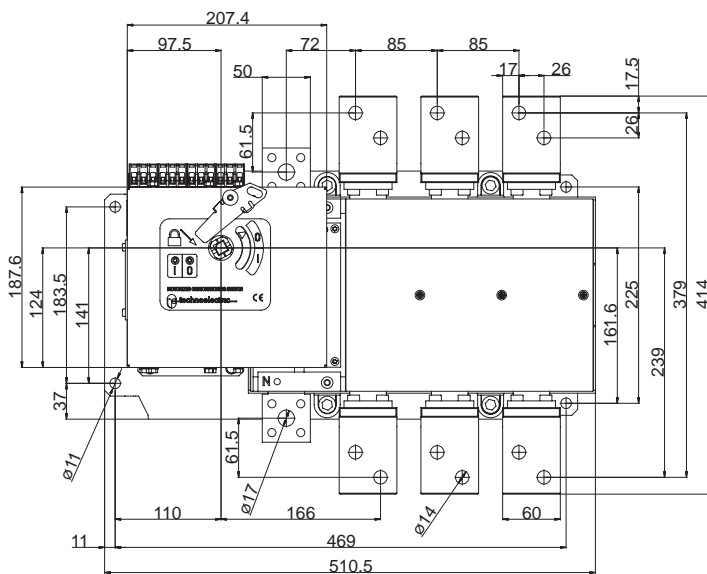
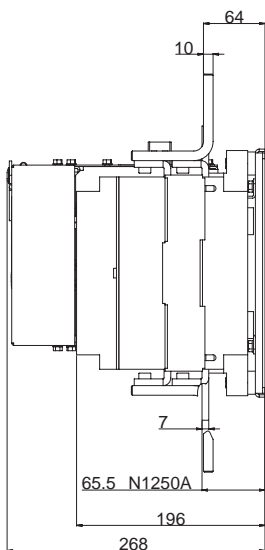


Dimensioni  
Dimensions

VC6P MS 1600 A FN

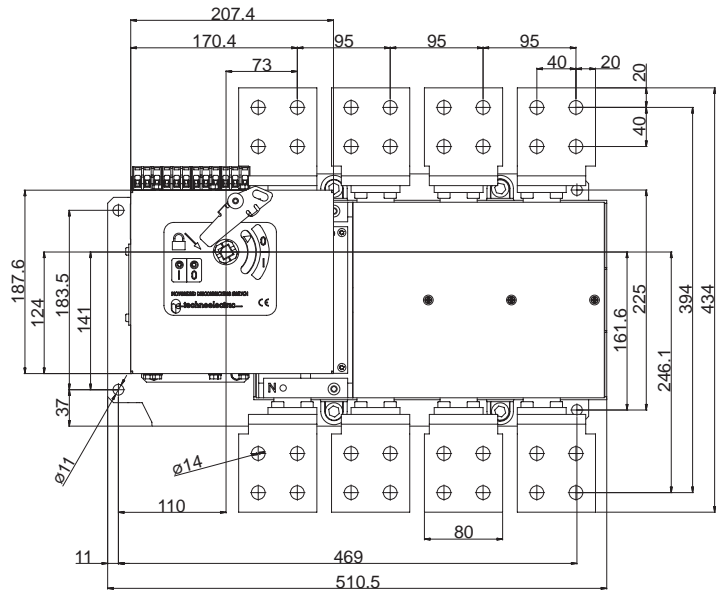
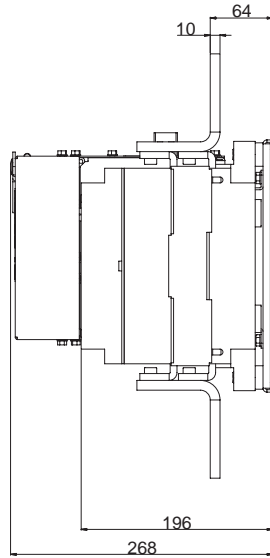


VC6P MS 1600 A N1250

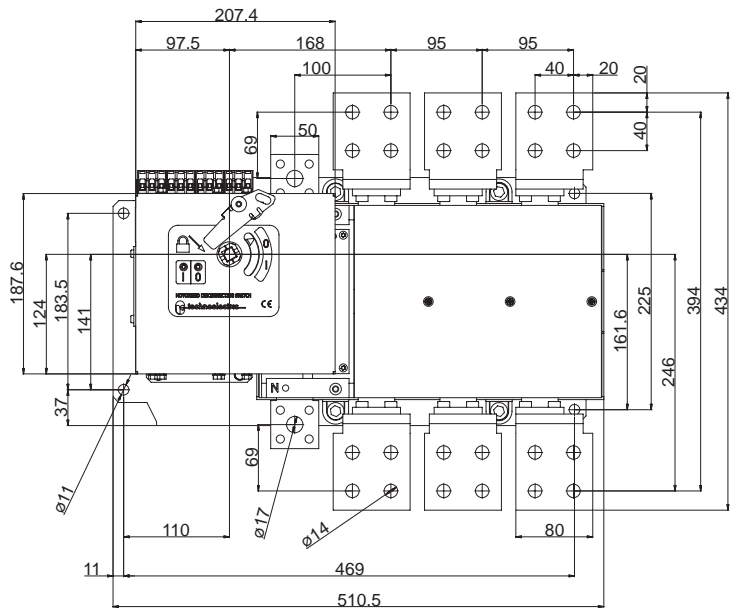
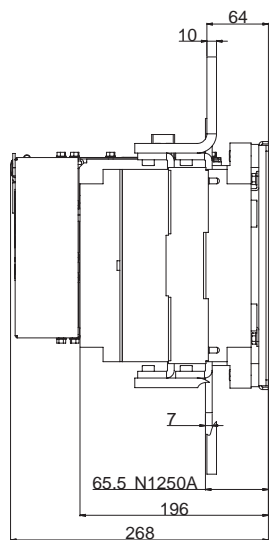


Dimensioni  
Dimensions

VC6P MS 2000 A FN

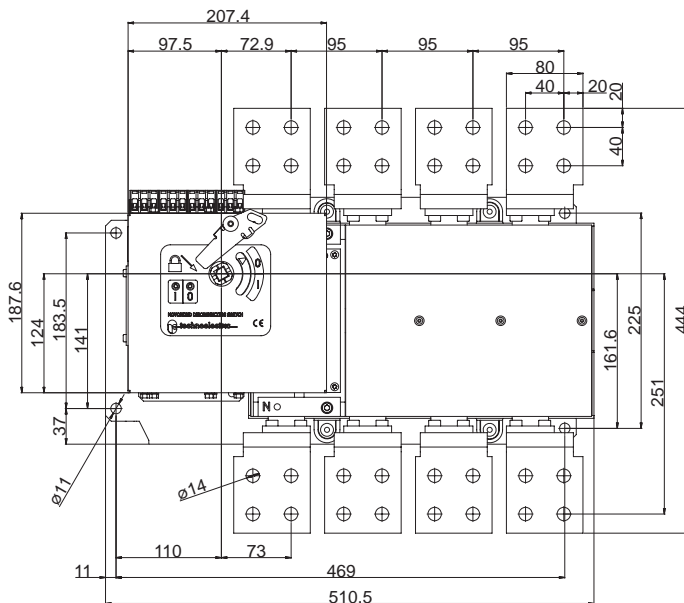
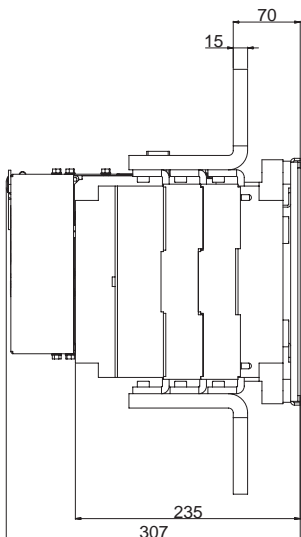


VC6P MS 2000 A N1250

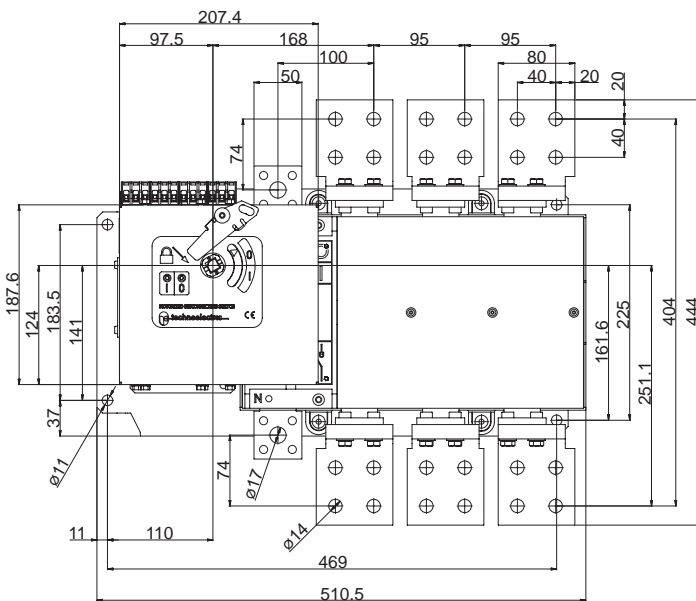
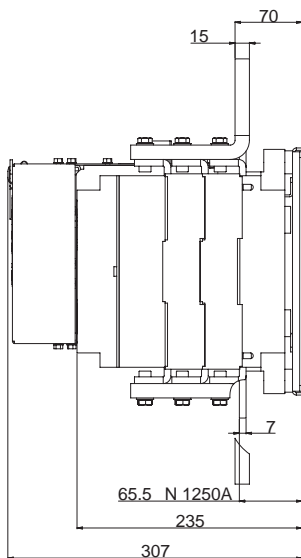


Dimensioni  
Dimensions

VC6P 2500 A FN

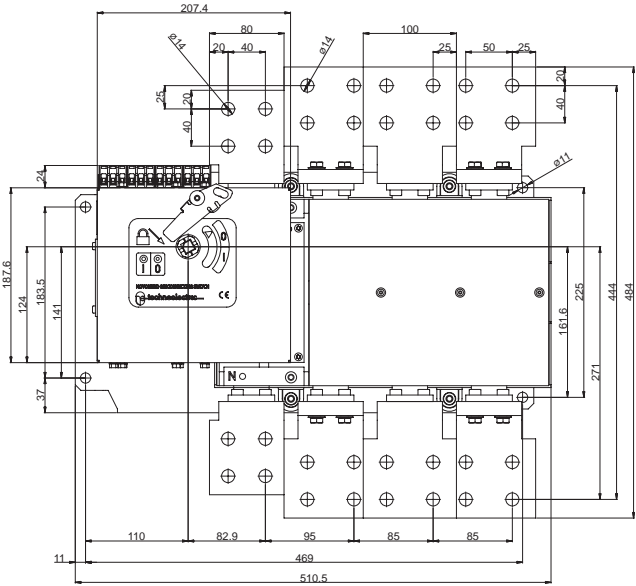
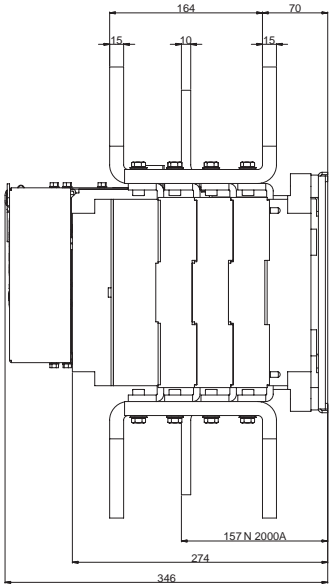


VC6P 2500 A



Dimensioni  
Dimensions

VC6P MS 3150 A



Accessori  
Accessories

Codici per  
l'ordinazione  
Order references

maniglia blocco porta / door interlock handle

| Tipo<br>Type   | VC1P  | VC2P  | VC3P  | VC4P  | VC5P        | VC5P 50 kA  | VC6P        |
|----------------|-------|-------|-------|-------|-------------|-------------|-------------|
| Codice<br>Code | 18001 | 18001 | 18003 | 18003 | 18005/18007 | 18830/18844 | 18830/18844 |

maniglia blocco porta di emergenza / red/yellow door interlock handle

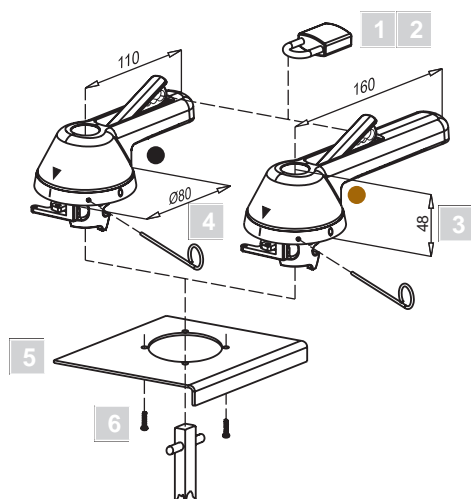
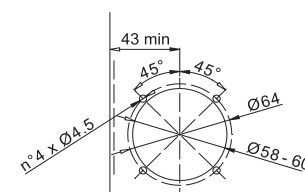
| Tipo<br>Type   | VC1P  | VC2P  | VC3P  | VC4P  | VC5P        | VC5P 50 kA  | VC6P        |
|----------------|-------|-------|-------|-------|-------------|-------------|-------------|
| Codice<br>Code | 18002 | 18002 | 18004 | 18004 | 18006/18008 | 18831/18847 | 18831/18847 |

maniglia blocco porta/emergenza con doppia funzione di sicurezza  
door interlock handle/emergency with double function of security handle

| VC1P    | VC2P    | VC3P    | VC4P    | VC5P 35kA |
|---------|---------|---------|---------|-----------|
| 18234 ● | 18234 ● | 18234 ● | 18236 ● | 18236 ●   |
| 18235 ● | 18235 ● | 18235 ● | 18237 ● | 18237 ●   |

Adatta per montaggio su portella con dispositivo di blocco porta in posizione On  
Grado di protezione IP 65  
Disponibile anche nella versione per emergenza (rosso/gialla)

For door mounting with Door interlocking in "On" position  
IP 65 degree of protection  
Available also for emergency operation (red/yellow)



- |   |   |   |
|---|---|---|
| 1 | Lucchettabile (max 3 lucchetti 1xØ8+2xØ6) in posizione Off.   | Padlockable in "Off" position (with max 3 padlocks of 1xØ8+2xØ6).   |
| 2 | Apertura della portella impedita quando la maniglia è lucchettata in posizione di Off.  | Door opening is prevented when the handle is padlocked in "Off" position.   |
| 3 | Ingombro inferiore a 50 mm in profondità per permettere l'utilizzo anche in quadri a doppia portella.   | Handle height less than 50 mm for suitability with two-doors type panels.   |
| 4 | Permette, a mezzo di un apposito attrezzo, fornito con la maniglia, l'esclusione del dispositivo di blocco porta e quindi l'apertura della portella anche a interruttore in posizione di ON. Il dispositivo bloccoporta si ripristina automaticamente al chiudersi della porta. | With the use of the special tool (supplied), the door interlocking mechanism can be bypassed maintaining the switch in the "On" position and the door can be opened. The door interlocking mechanism is automatically re-established on closing door. |
| 5 | Può essere montata su portelle di qualsiasi spessore.   | Can be mounted on doors of any thickness.   |
| 6 | Posizione della maniglia fissa quando la portella è aperta.   | Position of fixed handle when the door is open.   |



Accessori  
Accessories

Codici per  
l'ordinazione  
Order references



albero comando 200 mm / shaft 200 mm

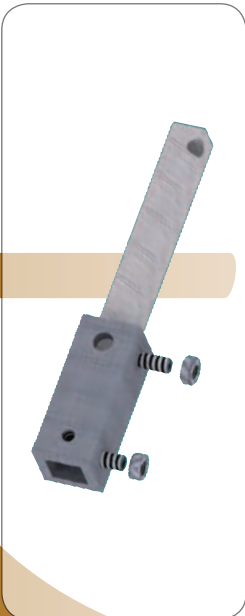
|               |       |       |       |       |       |            |       |
|---------------|-------|-------|-------|-------|-------|------------|-------|
| Tipo / Type   | VC1P  | VC2P  | VC3P  | VC4P  | VC5P  | VC5P 50 kA | VC6P  |
| Codice / Code | 18201 | 18201 | 18207 | 18207 | 18207 | 18207      | 18207 |

albero comando 300 mm / shaft 300 mm

|               |       |       |       |       |       |            |       |
|---------------|-------|-------|-------|-------|-------|------------|-------|
| Tipo / Type   | VC1P  | VC2P  | VC3P  | VC4P  | VC5P  | VC5P 50 kA | VC6P  |
| Codice / Code | 18202 | 18202 | 18208 | 18208 | 18208 | 18208      | 18208 |

albero comando 400 mm / shaft 400 mm

|               |       |       |       |       |       |            |       |
|---------------|-------|-------|-------|-------|-------|------------|-------|
| Tipo / Type   | VC1P  | VC2P  | VC3P  | VC4P  | VC5P  | VC5P 50 kA | VC6P  |
| Codice / Code | 18203 | 18203 | 18209 | 18209 | 18209 | 18209      | 18209 |



prolunga albero comando 100 mm / extension shaft 100 mm

|               |                  |                     |
|---------------|------------------|---------------------|
| Tipo / Type   | EO - ES - EC 1/2 | EO -ES - EC 3/4/5/6 |
| Codice / Code | 18030            | 18032               |

prolunga albero comando 200 mm / extension shaft 200 mm

|               |                  |                     |
|---------------|------------------|---------------------|
| Tipo / Type   | EO - ES - EC 1/2 | EO -ES - EC 3/4/5/6 |
| Codice / Code | 18033            | 18035               |

prolunga albero comando 300 mm / extension shaft 300 mm

|               |                  |                     |
|---------------|------------------|---------------------|
| Tipo / Type   | EO - ES - EC 1/2 | EO -ES - EC 3/4/5/6 |
| Codice / Code | 18036            | 18038               |

prolunga albero comando 400 mm / extension shaft 400 mm

|               |                  |                     |
|---------------|------------------|---------------------|
| Tipo / Type   | EO - ES - EC 1/2 | EO -ES - EC 3/4/5/6 |
| Codice / Code | 18037            | 18039               |

maniglia diretta / direct handle

Fornita completa di schermo protezione contatti principali  
Supplied with main contacts cover shield

|               |       |       |       |       |            |                                 |                                 |
|---------------|-------|-------|-------|-------|------------|---------------------------------|---------------------------------|
| Tipo / Type   | VC1P  | VC2P  | VC3P  | VC4P  | VC5P 35 kA | VC5P 50 kA                      | VC6P                            |
| Codice / Code | 18020 | 18021 | 18320 | 18022 | 18023      | 18840 (460 mm) / 18852 (230 mm) | 18840 (460 mm) / 18852 (230 mm) |



18020 - 18021



18320 - 18022 - 18023



18851 - 18852



18840

Accessori  
Accessories

Codici per  
l'ordinazione  
Order references



maniglia diretta / direct handle

| Tipo / Type   | EO1P  | EO2P  | EO3P  | EO4P  | EO5P  |
|---------------|-------|-------|-------|-------|-------|
| Codice / Code | 18588 | 18589 | 18590 | 18591 | 18853 |

Fornita completa di due schermi copricontatti principali per interruttori di tipo P  
Versione lucchettabile fornibile a richiesta

With two cover main contacts over shields.  
Patlockable version on request



blocco lucchetto per maniglia diretta / padlock for direct handle

| Tipo / Type   | VC1P  | VC2P  | VC3P  | VC4P  | VC5P  |
|---------------|-------|-------|-------|-------|-------|
| Codice / Code | 18240 | 18241 | 18242 | 18243 | 18244 |

| Tipo / Type   | VC5P 50 kA |       |       |       | VC6P  |       |       |       |
|---------------|------------|-------|-------|-------|-------|-------|-------|-------|
|               | 1600A      | 2000A | 2500A | 3150A | 1600A | 2000A | 2500A | 3150A |
| Codice / Code | 18245      | 18245 | 18246 | 18246 | 18245 | 18245 | 18246 | 18247 |

maniglia blocco porta con blocco chiave / door interlock handle with key lock

| Tipo / Type   | VC1P  | VC2P  | VC3P  | VC4P  | VC5P        | VC5P 50 kA  | VC6P        |
|---------------|-------|-------|-------|-------|-------------|-------------|-------------|
| Codice / Code | 18100 | 18100 | 18100 | 18100 | 18102/18104 | a richiesta | a richiesta |



maniglia blocco porta con dispositivo di sblocco con attrezzo speciale  
door interlock handle with defeater mechanism (special tool)

| Tipo / Type   | VC1P  | VC2P  | VC3P  | VC4P  | VC5P  | VC5P 50 kA  | VC6P        |
|---------------|-------|-------|-------|-------|-------|-------------|-------------|
| Codice / Code | 18220 | 18220 | 18222 | 18222 | 18224 | 18832/18850 | 18832/18850 |



maniglia blocco porta di emergenza con dispositivo di sblocco con attrezzo speciale  
red/yellow door interlock handle with defeater mechanism (special tool)

| Tipo / Type   | VC1P  | VC2P  | VC3P  | VC4P  | VC5P  | VC5P 50 kA  | VC6P        |
|---------------|-------|-------|-------|-------|-------|-------------|-------------|
| Codice / Code | 18221 | 18221 | 18223 | 18223 | 18225 | 18833/18858 | 18833/18858 |

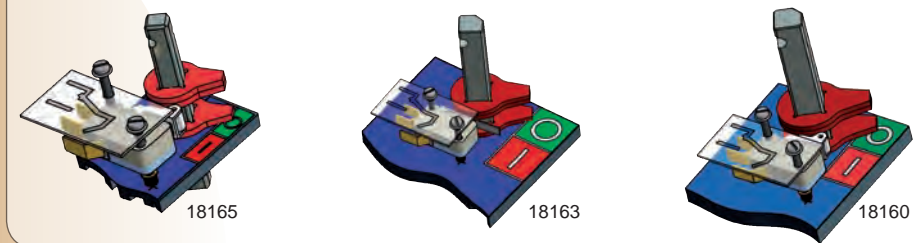


Accessori  
Accessories

Codici per  
l'ordinazione  
Order references

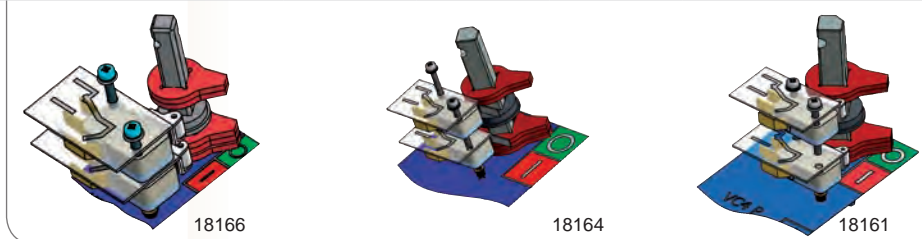
contatti ausiliari 1NA + 1NC con apertura anticipata  
*auxiliary contacts 1NO + 1NC break before main contacts*

| Tipo / Type   | VC1P  | VC2P  | VC3P  | VC4P  | VC5P  | VC6P  |
|---------------|-------|-------|-------|-------|-------|-------|
| Codice / Code | 18165 | 18165 | 18163 | 18160 | 18163 | 18163 |



contatti ausiliari 2NA + 2NC con apertura anticipata  
*auxiliary contacts 2NO + 2NC break before main contacts*

| Tipo / Type   | VC1P  | VC2P  | VC3P  | VC4P  | VC5P  | VC6P  |
|---------------|-------|-------|-------|-------|-------|-------|
| Codice / Code | 18166 | 18166 | 18164 | 18161 | 18164 | 18164 |



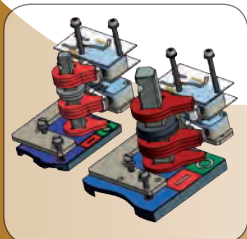
contatti ausiliari 1NA + 1NC con apertura posticipata  
*auxiliary contacts 1NO + 1NC break after main contacts*

| Tipo / Type   | VC1P  | VC2P  | VC3P  | VC4P  | VC5P  | VC6P  |
|---------------|-------|-------|-------|-------|-------|-------|
| Codice / Code | 18120 | 18120 | 18127 | 18127 | 18127 | 18127 |



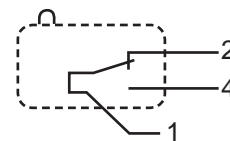
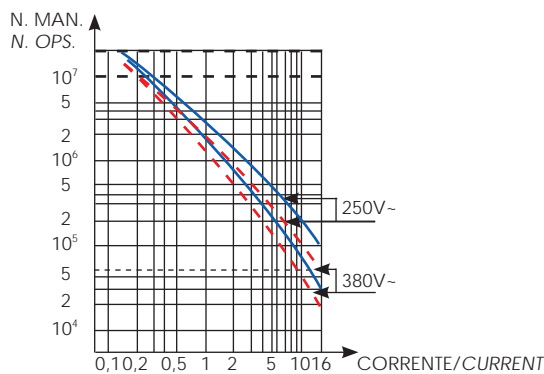
contatti ausiliari 2NA + 2NC con apertura posticipata  
*auxiliary contacts 2NO + 2NC break after main contacts*

| Tipo / Type   | VC1P  | VC2P  | VC3P  | VC4P  | VC5P  | VC6P  |
|---------------|-------|-------|-------|-------|-------|-------|
| Codice / Code | 18123 | 18123 | 18128 | 18128 | 18128 | 18128 |



Contatti ausiliari in scambio  
Apertura anticipata rispetto all'apertura dei  
contatti principali dell'interruttore  
Portata nominale 16A  
Portata termica 20A

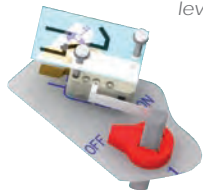
Change over auxiliary contact  
Break before main contacts switches  
Rated current 16A  
Thermal current 20A



Accessori  
Accessories

Codici per  
l'ordinazione per  
interruttori 6-8 poli  
Order references for  
switch 6-8 poles

paletta  
lever



contatti ausiliari 1NA+1NC / auxiliary contacts 1NO+1NC

|                |                         |     |     |     |
|----------------|-------------------------|-----|-----|-----|
| Tipo<br>Type   | EO1                     | EO2 | ES1 | ES2 |
| Codice<br>Code | 18566 (paletta / lever) |     |     |     |

rotella  
roller



contatti ausiliari 1NA+1NC / auxiliary contacts 1NO+1NC

|                |                          |                 |                             |
|----------------|--------------------------|-----------------|-----------------------------|
| Tipo<br>Type   | EO3 - EO4 - EO5          | ES3 - ES4 - ES5 | EC1 - EC2 - EC3 - EC4 - EC5 |
| Codice<br>Code | 18560 (rotella / roller) |                 |                             |

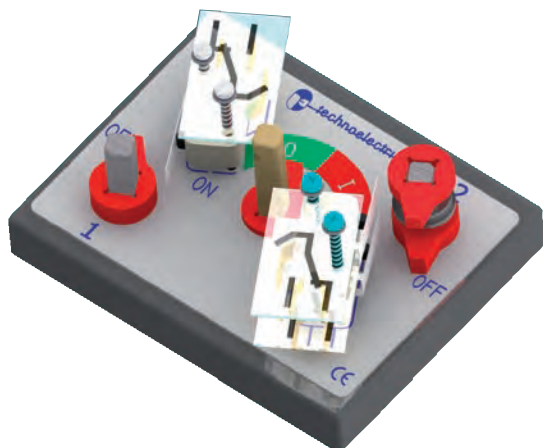
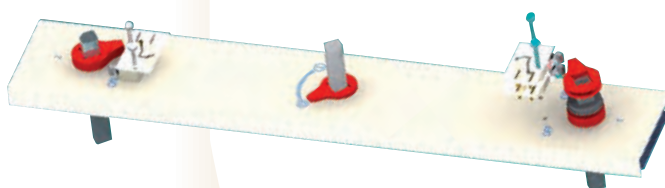
contatti ausiliari 2NA+2NC / auxiliary contacts 2NO+2NC

|                |       |     |     |     |
|----------------|-------|-----|-----|-----|
| Tipo<br>Type   | EO1   | EO2 | ES1 | ES2 |
| Codice<br>Code | 18568 |     |     |     |

contatti ausiliari 2NA+2NC / auxiliary contacts 2NO+2NC

|                |                 |                 |                             |
|----------------|-----------------|-----------------|-----------------------------|
| Tipo<br>Type   | EO3 - EO4 - EO5 | ES3 - ES4 - ES5 | EC1 - EC2 - EC3 - EC4 - EC5 |
| Codice<br>Code | 18567           |                 |                             |

Esempi di montaggio  
Mounting example



Accessori  
Accessories

Codici per  
l'ordinazione  
Order references



calotta protezione terminali superiori / upper terminal cover

| Tipo / Type   | VC1P  | VC2P  | VC3P  | VC4P  | VC5P  | VC5P 50 kA max 1600A |
|---------------|-------|-------|-------|-------|-------|----------------------|
| Codice / Code | 18050 | 18052 | 18350 | 18054 | 18056 | 18058                |



calotta protezione terminali inferiori / lower terminal cover

| Tipo / Type   | VC1P  | VC2P  | VC3P  | VC4P  | VC5P  | VC5P 50 kA max 1600A |
|---------------|-------|-------|-------|-------|-------|----------------------|
| Codice / Code | 18051 | 18053 | 18351 | 18055 | 18057 | 18059                |



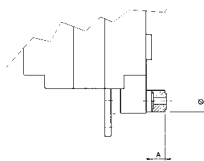
schermo protezione contatti principali / main contacts cover shield

| Tipo / Type   | VC1P  | VC2P  | VC3P  | VC4P  | VC5P  | VC5P 50 kA | VC6P  |
|---------------|-------|-------|-------|-------|-------|------------|-------|
| Codice / Code | 18060 | 18061 | 18360 | 18062 | 18063 | 18063      | 18063 |

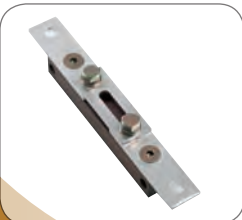


spessore rialzo / risers

| Tipo / Type   | VC1P  | VC2P  | VC3P  | VC4P  | VC5P  | VC5P 50 kA | VC6P  |
|---------------|-------|-------|-------|-------|-------|------------|-------|
| Codice / Code | 18290 | 18291 | 18292 | 18293 | 18293 | 18293      | 18293 |



| TIPO<br>TYPE | A  | Ø  |
|--------------|----|----|
| VC1          | 5  | 15 |
| VC2          | 5  | 18 |
| VC3          | 10 | 17 |
| VC4-5        | 15 | 24 |



neutro sbullonabile / fuse link

| Tipo / Type   | VC1P  | VC2P  | VC3P  | VC4P  | VC5P  | VC5P 50 kA | VC6P  |
|---------------|-------|-------|-------|-------|-------|------------|-------|
| Codice / Code | 18110 | 18111 | 18112 | 18113 | 18114 | 18114      | 18114 |



blocco manovra elettrico / electric interlock

| Tipo / Type   | VC2P    |          | VC3P    |          | VC4P    |          | VC5P   VC6P |          |
|---------------|---------|----------|---------|----------|---------|----------|-------------|----------|
|               | 24 V dc | 230 V ac | 24 V ac | 230 V ac | 24 V dc | 230 V ac | 24 V ac     | 230 V ac |
| Codice / Code | 18119B  | 18119B4  | 18117B  | 18117B4  | 18116B  | 18116B4  | 18115B      | 18115B4  |

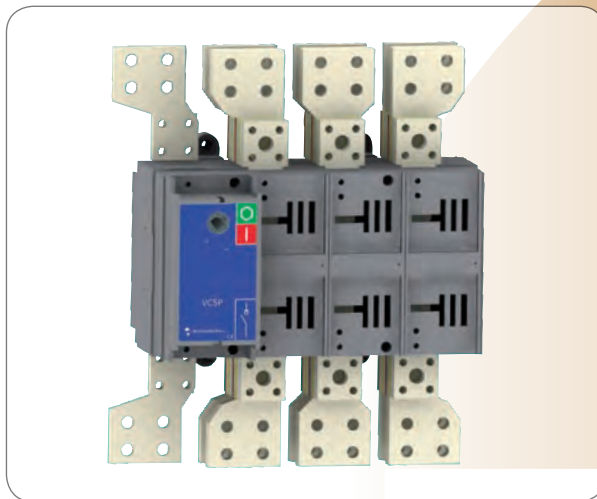
altre tensioni a richiesta / further versions upon request

Dispositivo di sicurezza adatto per il montaggio su interruttori di manovra sezionatori VC2-3-4-5-6P. Impedisce la manovra quando l'interruttore è in posizione Off. La manovra da Off a On è consentita solo alimentando la bobina. La bobina deve essere alimentata solo per il tempo necessario alla manovra. Disponibili nelle versioni con bobina 24 V dc oppure 220 V ac. A richiesta può essere fornito un dispositivo per blocco sia in posizione On che in posizione Off.

Safety device suitable for mounting on switch disconnectors VC2-3-4-5-6P. It prevents the switch to operate when it is in Off position. The operation from Off to On is possible when the coil is energised only. The coil can remain energised just for the time needed for the operation. Available with 24 V dc or 220 V ac coil. On request, a device for locking in both positions Off and On can be supplied.

Accessori  
Accessories

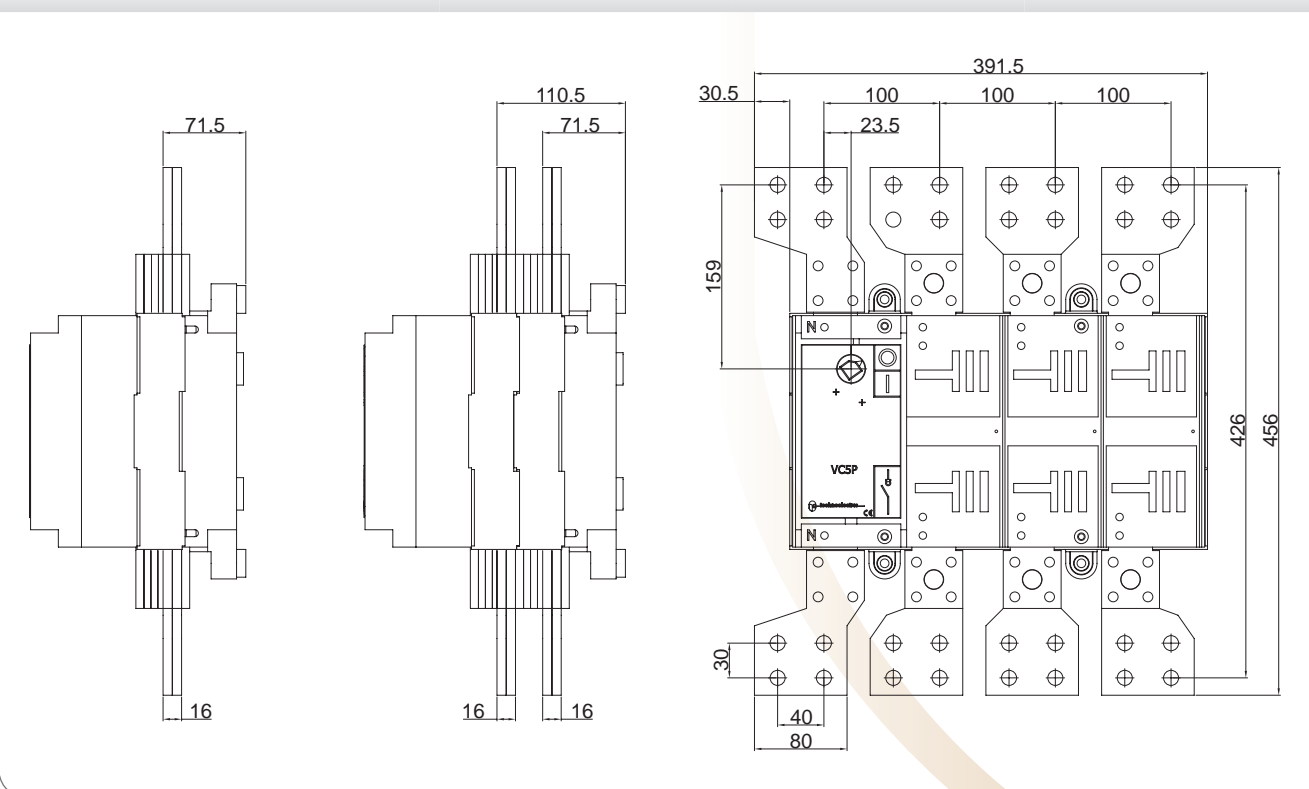
Codici per  
l'ordinazione  
Order references



attacchi a sbarre per VC5P 1600 ÷ 3150 A / large bar terminals for VC5P 1600 ÷ 3150 A

Tipo / Type    VC5P 3 x 1600 ÷ 2000 A    VC5P 3 x 2500 ÷ 3150 A    VC5P 4 x 1600 ÷ 2000 A    VC5P 4 x 2500 ÷ 3150 A

Codice / Code    18150    18151    18152    18153



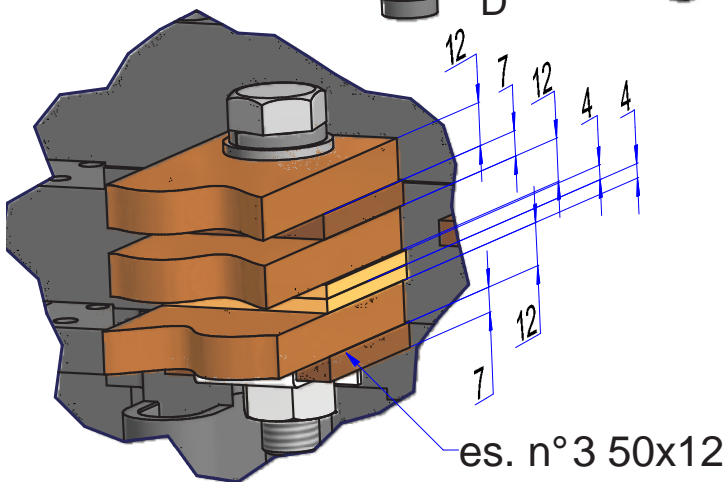
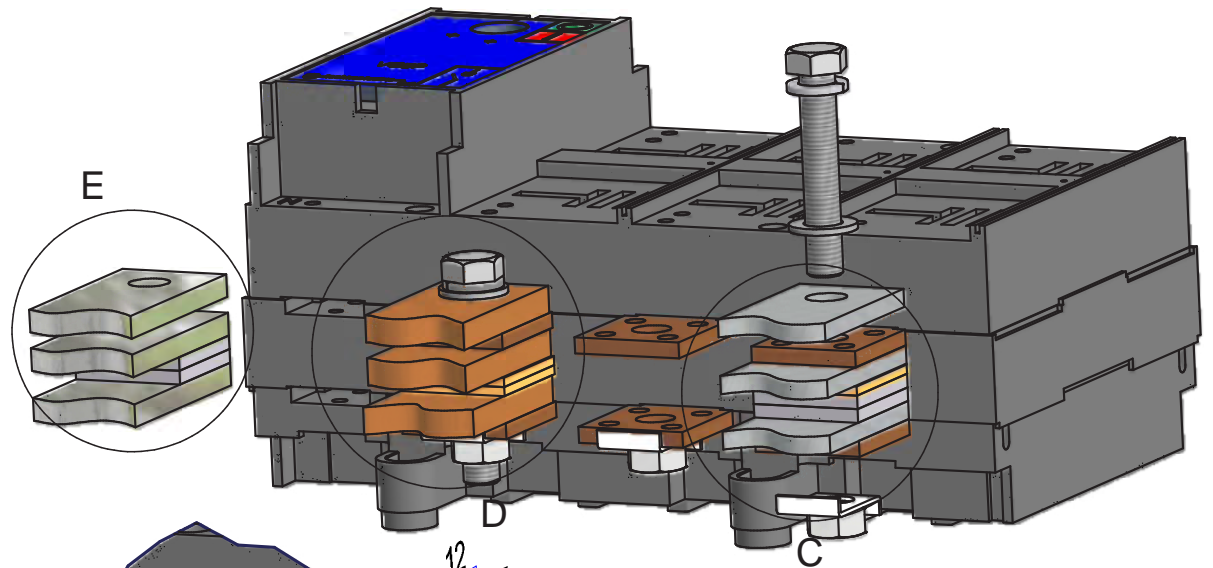


piatti per terminali sezionatori / terminal plates for switches

|               |           |           |
|---------------|-----------|-----------|
| Tipo / Type   | VC5P 4 mm | VC5P 6 mm |
| Codice / Code | 18138     | 18139     |

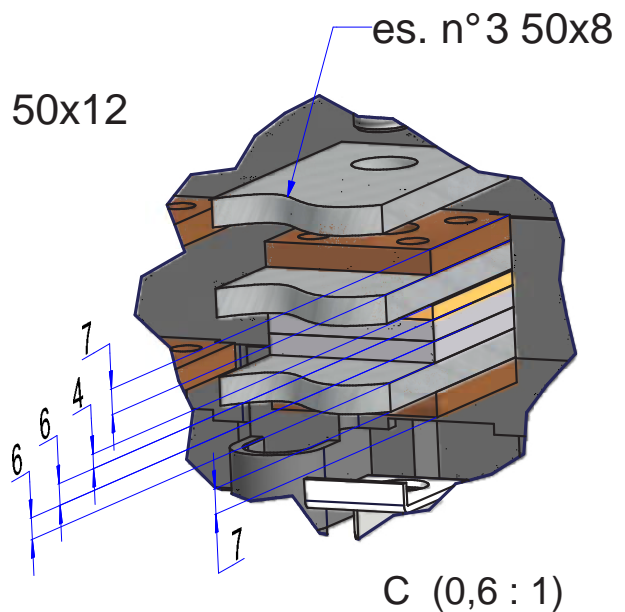
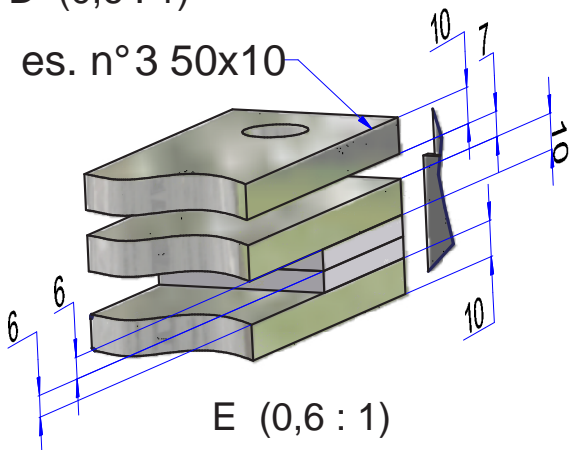
VC5P 1600 - 2000 A

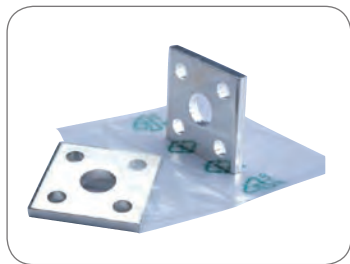
istruzioni per montaggio piatti per terminali / assembly instruction for terminal plates



D (0,6 : 1)

es. n°3 50x10



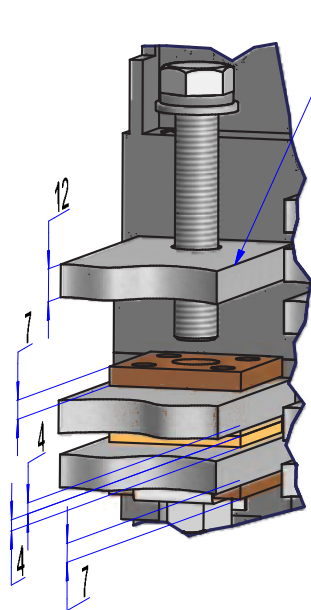
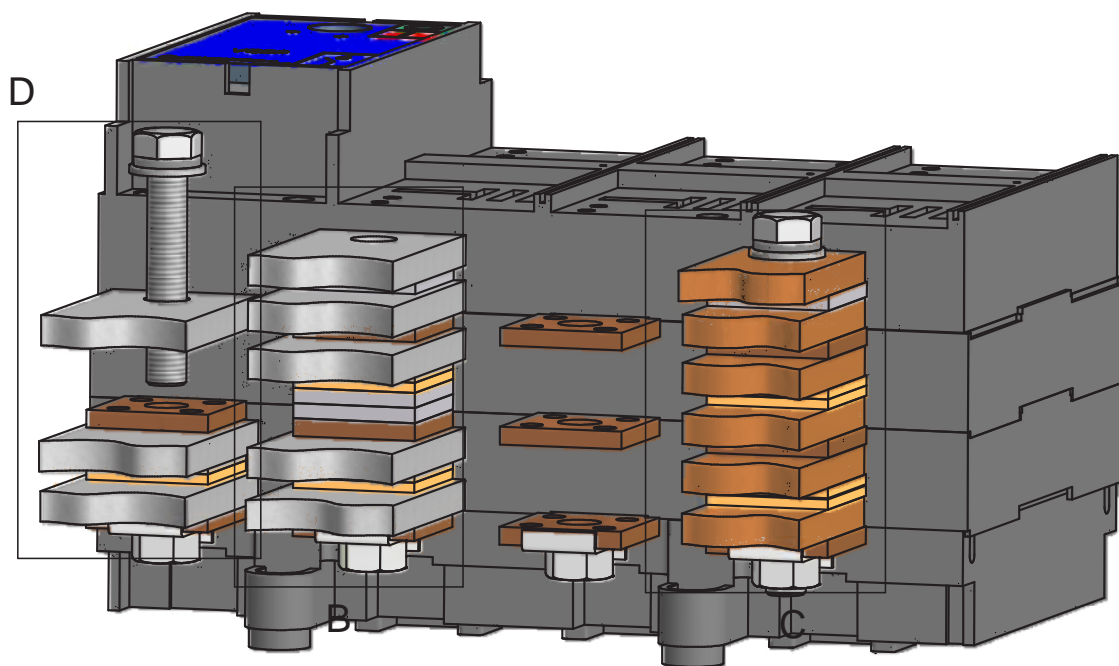


piatti per terminali sezionatori / terminal plates for switches

|               |           |           |
|---------------|-----------|-----------|
| Tipo / Type   | VC5P 4 mm | VC5P 6 mm |
| Codice / Code | 18138     | 18139     |

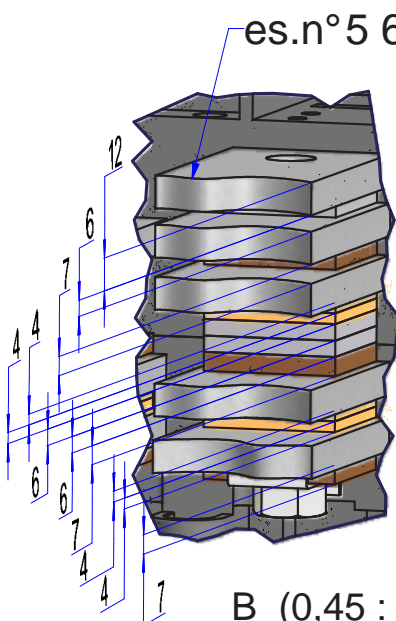
VC5P 2500 - 3150 A

istruzioni per montaggio piatti per terminali / assembly instruction for terminal plates



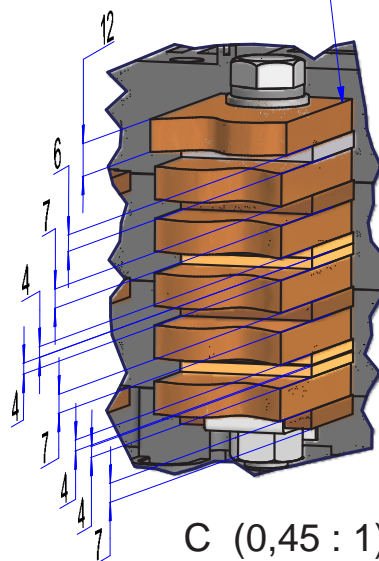
D (0,45 : 1)

neutro  
es.n°3 60x12



B (0,45 : 1)

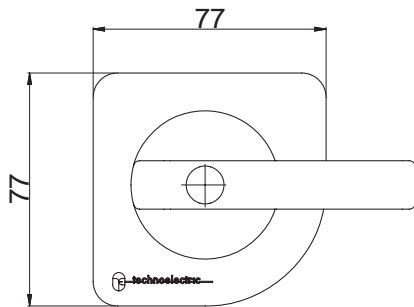
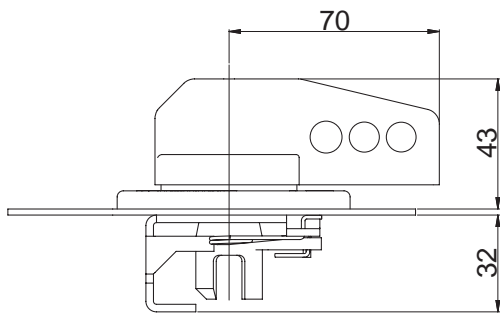
es.n°6 50x12



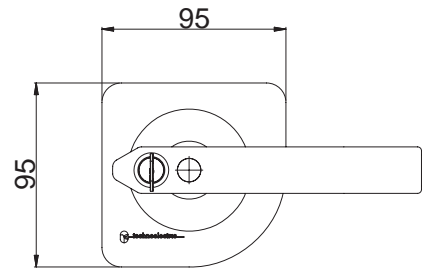
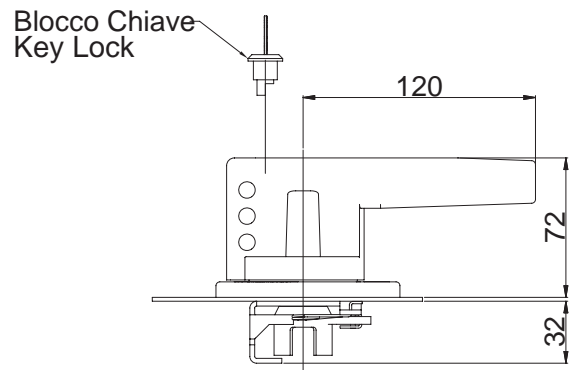
C (0,45 : 1)



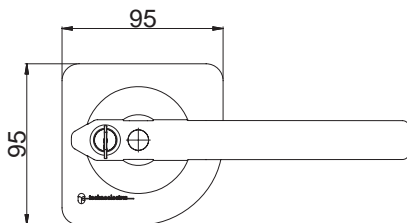
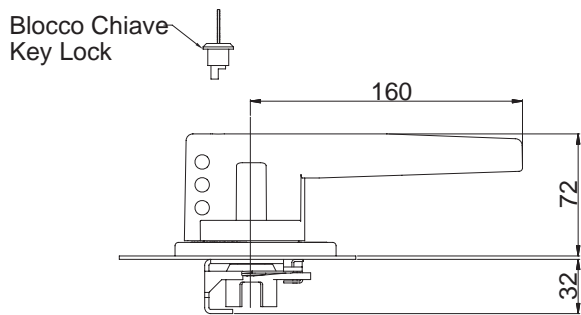
Dimensioni  
Dimensions



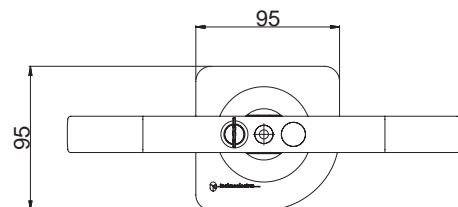
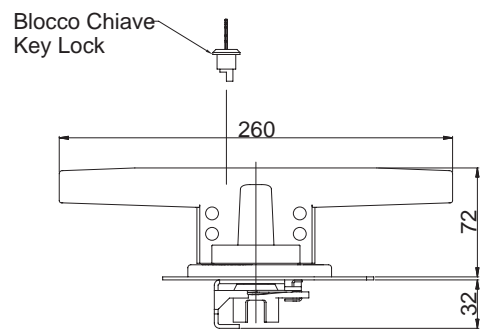
maniglia nera / black handle 18001 - 18220  
maniglia rossa / red handle 18002 - 18221



maniglia nera / black handle 18003 - 18100 - 18222  
maniglia rossa / red handle 18004 - 18223

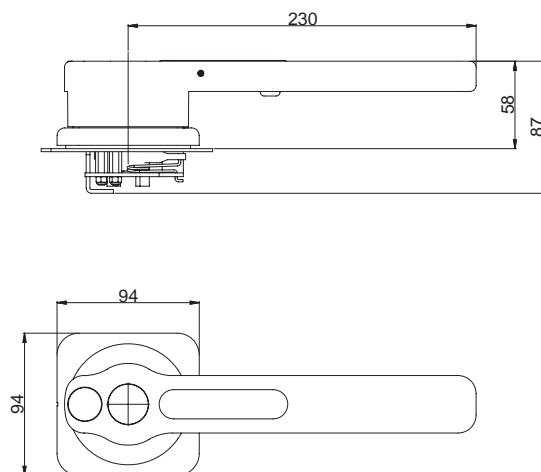
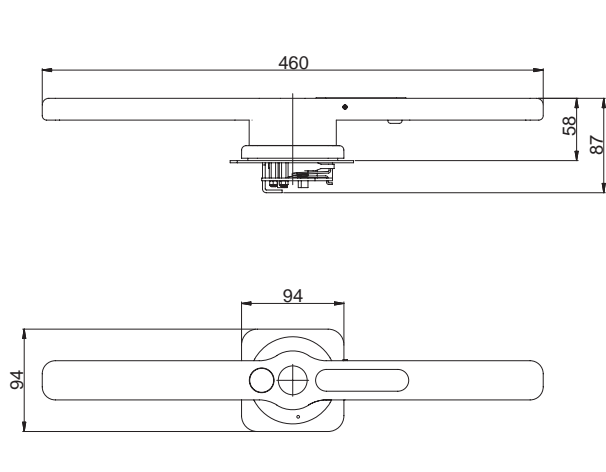


maniglia nera / black handle 18005 - 18102 - 18224  
maniglia rossa / red handle 18006 - 18225



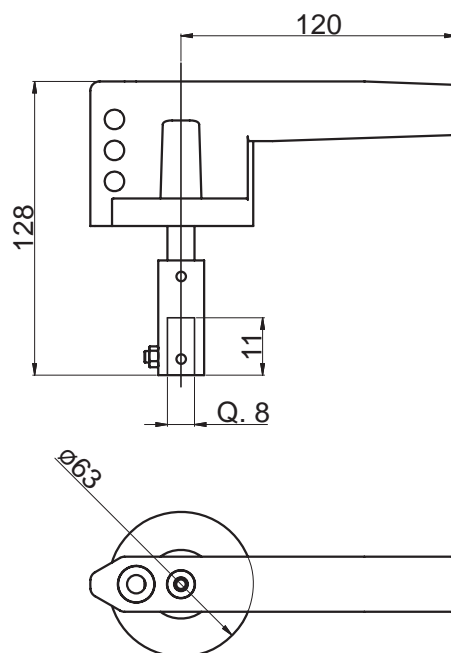
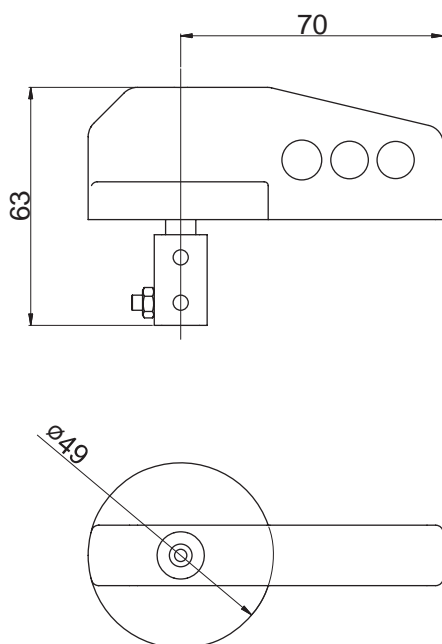
maniglia nera / black handle 18007 - 18104 - 18226  
maniglia rossa / red handle 18008 - 18227

Dimensioni  
Dimensions



maniglia nera / black handle 18830 - 18832  
maniglia rossa / red handle 18831 - 18833  
maniglia verde / green handle 18859

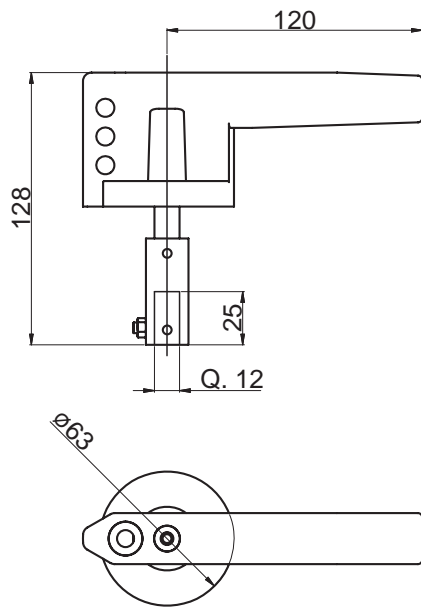
maniglia nera / black handle 18844 - 18850  
maniglia rossa / red handle 18847 - 18858  
maniglia verde / green handle 18866



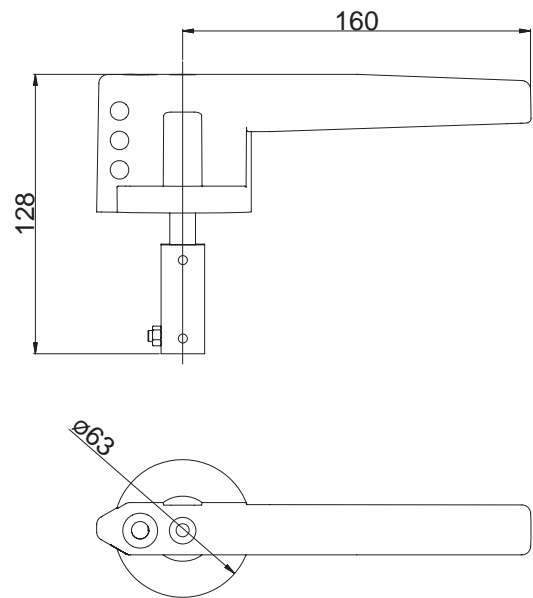
maniglia nera / black handle 18020 - 18021 - 18190 - 18191

maniglia nera / black handle 18187

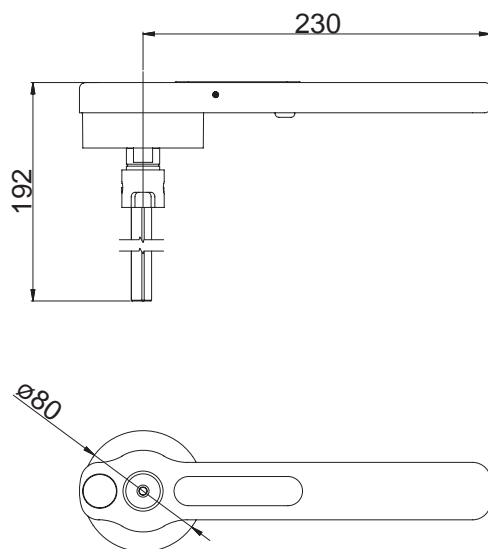
Dimensioni  
Dimensions



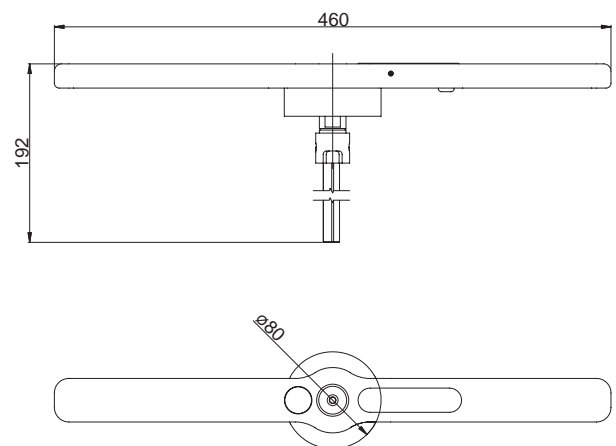
maniglia nera / black handle 18083 - 18193 - 18320 - 18390



maniglia nera / black handle 18023 - 18084 - 18194



maniglia nera / black handle 18844



maniglia nera / black handle 18840