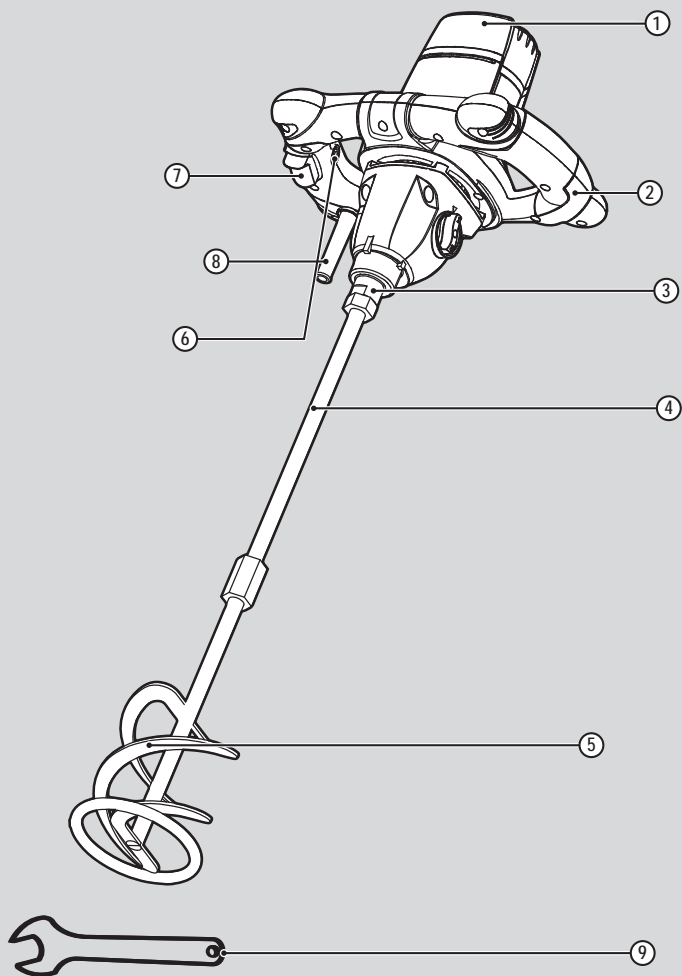


STANLEY

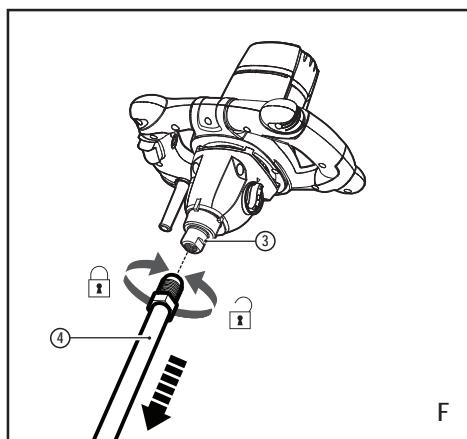
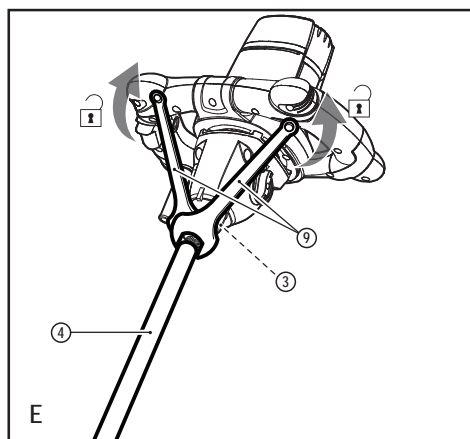
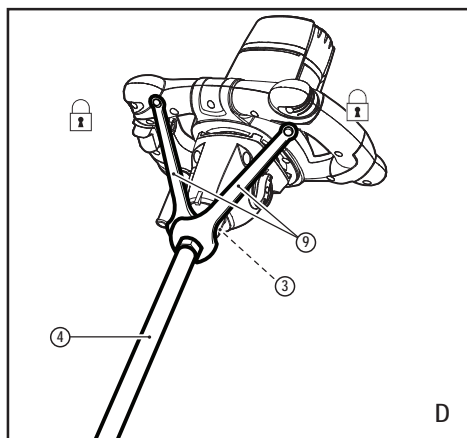
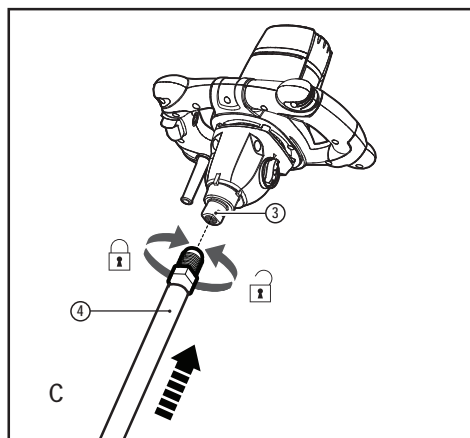
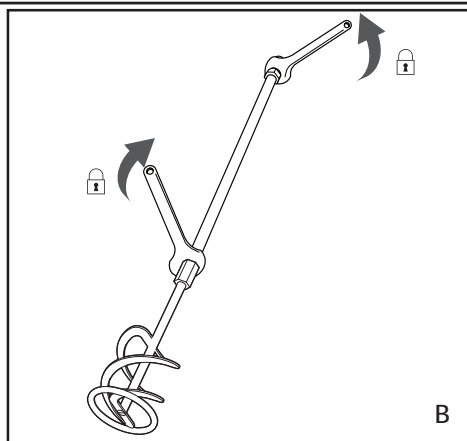
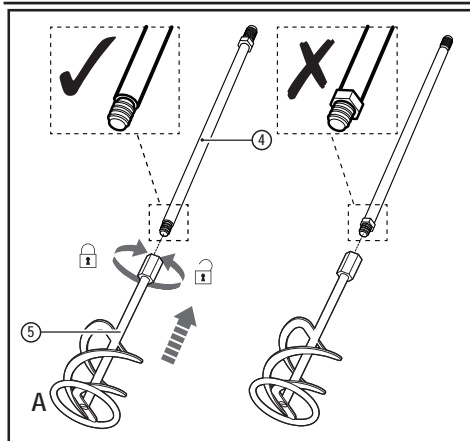


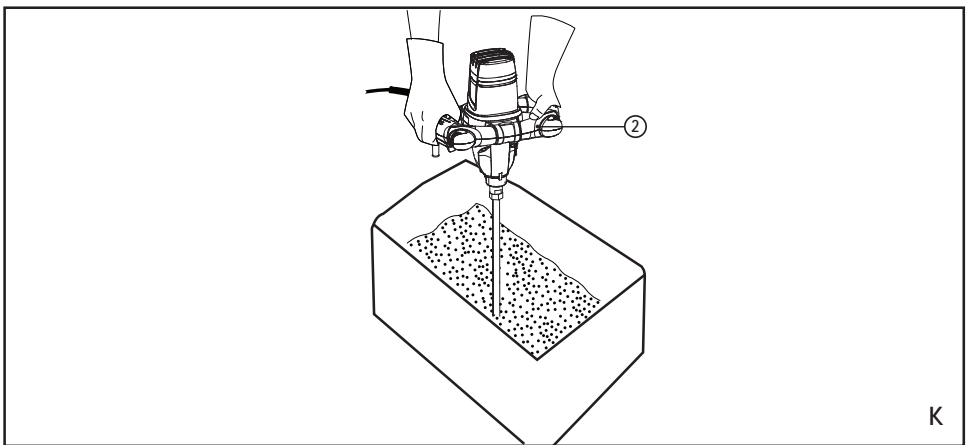
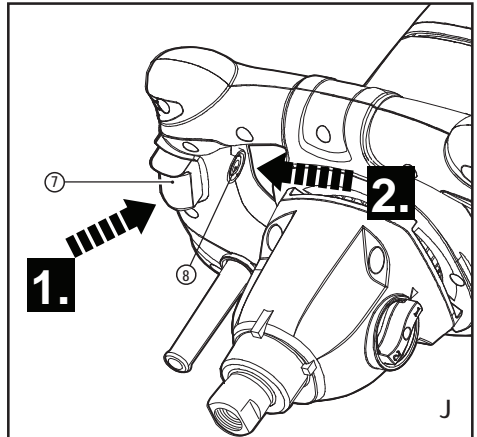
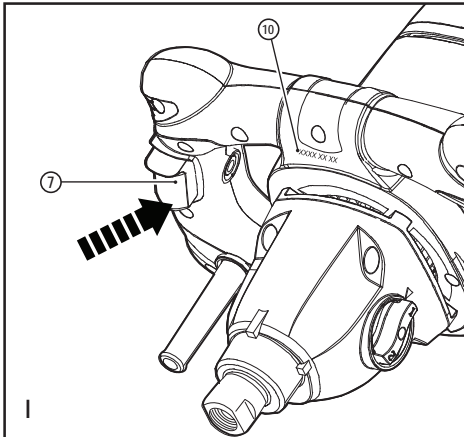
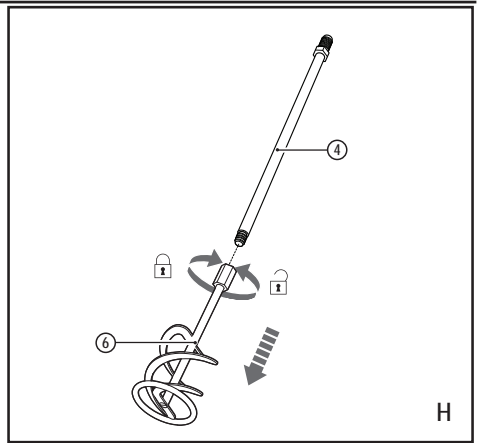
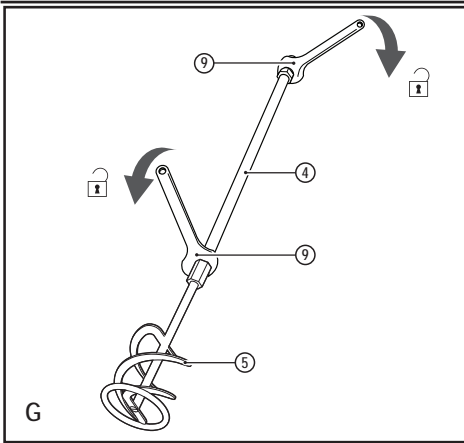
SDR1400

Скачано с сайта интернет магазина <https://axiomplus.com.ua/>

English	Page 4
Русский	Page 10
Українська	Page 20
Türkçe	Page 28

ENGLISH (Original instructions)





Intended use

Your Stanley SDR1400 Paddle Mixer has been designed for mixing liquid and powdery materials: paints, glue/adhesive, plaster, screed as well as mortar etc. This tool is intended for professional use.

Safety instructions

General power tool safety warnings



Warning! Read all safety warnings and all instructions. Failure to follow the warnings and instructions listed below may result in electric shock, fire and/or serious injury.

Save all warnings and instructions for future reference.

The term "power tool" in all of the warnings listed below refers to your mains operated (corded) power tool or battery operated (cordless) power tool.

1. Work area safety

- a. **Keep work area clean and well lit.** Cluttered or dark areas invite accidents.
- b. **Do not operate power tools in explosive atmospheres, such as in the presence of flammable liquids, gases or dust.** Power tools create sparks which may ignite the dust or fumes.
- c. **Keep children and bystanders away while operating a power tool.** Distractions can cause you to lose control.

2. Electrical safety

- a. **Power tool plugs must match the outlet. Never modify the plug in any way. Do not use any adapter plugs with earthed (grounded) power tools.** Unmodified plugs and matching outlets will reduce risk of electric shock.
- b. **Avoid body contact with earthed or grounded surfaces such as pipes, radiators, ranges and refrigerators.** There is an increased risk of electric shock if your body is earthed or grounded.
- c. **Do not expose power tools to rain or wet conditions.** Water entering a power tool will increase the risk of electric shock.
- d. **Do not abuse the cord. Never use the cord for carrying, pulling or unplugging the power tool. Keep cord away from heat, oil, sharp edges or moving parts.** Damaged or entangled cords increase the risk of electric shock.
- e. **When operating a power tool outdoors, use an extension cord suitable for outdoor use.** Use of a cord suitable for outdoor use reduces the risk of electric shock.

- f. **If operating a power tool in a damp location is unavoidable, use a residual current device (RCD) protected supply.**

Use of an RCD reduces the risk of electric shock.

3. Personal safety

- a. **Stay alert, watch what you are doing and use common sense when operating a power tool. Do not use a power tool while you are tired or under the influence of drugs, alcohol or medication.** A moment of inattention while operating power tools may result in serious personal injury.
 - b. **Use personal protective equipment. Always wear eye protection.** Protective equipment such as dust mask, non-skid safety shoes, hard hat, or hearing protection used for appropriate conditions will reduce personal injuries.
 - c. **Prevent unintentional starting. Ensure the switch is in the off-position before connecting to power source and/or battery pack, picking up or carrying the tool.** Carrying power tools with your finger on the switch or energising power tools that have the switch on invites accidents.
 - d. **Remove any adjusting key or wrench before turning the power tool on.** A wrench or a key left attached to a rotating part of the power tool may result in personal injury.
 - e. **Do not overreach. Keep proper footing and balance at all times.** This enables better control of the power tool in unexpected situations.
 - f. **Dress properly. Do not wear loose clothing or jewellery. Keep your hair, clothing and gloves away from moving parts.** Loose clothes, jewellery or long hair can be caught in moving parts.
 - g. **If devices are provided for the connection of dust extraction and collection facilities, ensure these are connected and properly used.** Use of dust collection can reduce dust-related hazards.
- #### 4. Power tool use and care
- a. **Do not force the power tool. Use the correct power tool for your application.** The correct power tool will do the job better and safer at the rate for which it was designed.
 - b. **Do not use the power tool if the switch does not turn it on and off.** Any power tool that cannot be controlled with the switch is dangerous and must be repaired.
 - c. **Disconnect the plug from the power source and/or the battery pack from the power tool before making any adjustments, changing accessories, or storing power tools.** Such preventive safety measures reduce the risk of starting the power tool accidentally.

- d. **Store idle power tools out of the reach of children and do not allow persons unfamiliar with the power tool or these instructions to operate the power tool.** Power tools are dangerous in the hands of untrained users.
- e. **Maintain power tools. Check for misalignment or binding of moving parts, breakage of parts and any other condition that may affect the power tools operation. If damaged, have the power tool repaired before use.** Many accidents are caused by poorly maintained power tools.
- f. **Keep cutting tools sharp and clean.** Properly maintained cutting tools with sharp cutting edges are less likely to bind and are easier to control.
- g. **Use the power tool, accessories and tool bits etc. In accordance with these instructions, taking into account the working conditions and the work to be performed.** Use of the power tool for operations different from those intended could result in a hazardous situation.
5. **Service**
- a. **Have your power tool serviced by a qualified repair person using only identical replacement parts.** This will ensure that the safety of the power tool is maintained.

Additional power tool safety warnings for paddle mixer.

- ◆ Never clamp the product into a vice or to a work bench to use as a stationary tool. This may cause serious injury.
- ◆ Switch the product off immediately if the tool attachment jams. Be prepared for high reaction torques, which could cause kickbacks. The tool attachment will jam if the product is overloaded or becomes twisted in the workpiece.
- ◆ Wear protective clothing, dust masks and protective gloves when using this product. While this product is being used, dust may be created or splashing may occur and material or liquids may be flung around. Many types of dust are deemed to be carcinogenic.
- ◆ Always operate the product with both hands on the handles. Keep a firm grip on the handles and ensure your footing is secure on a stable, level and dry ground. Loss of control over the product can cause personal injury.
- ◆ Do not use this product to process substance which is highly flammable or potentially explosive such as solvents. Using this product will create sparks which can ignite vapours.
- ◆ Use this product indoors only. Moisture and rain can damage the product or can lead to electrocution, from the power supply, if stirred material penetrates into the inside of the product or if the product falls into the

material being stirred. Have the product inspected by a professional electrician. Stirred material and moisture can damage the product or lead to electrocution, if they penetrate inside the product.

- ◆ Do not work with any substances which are harmful to health. Many materials are noxious when they are processed. Do not breathe in any unhealthy substances and avoid contact with your skin. Follow the manufacturers' instructions and wear suitable personal protective equipment.
- ◆ Wait until the product has come to a complete standstill, before removing it from the material being stirred and putting it down. The bucket can get jammed or stirred material can be flung around. This can lead to a loss of control over the product.

Residual risks.

Even with the application of the relevant safety regulations and the implementation of safety devices, certain residual risks can not be avoided. These include:

- ◆ Injuries caused by touching any rotating/moving parts.
- ◆ Impairment of hearing.
- ◆ Risk of injury when changing any parts, or accessories.
- ◆ Health hazards caused by breathing dust developed when sawing wood, especially oak, beech and MDF.
- ◆ Injuries caused by prolonged use of a tool. When using any tool for prolonged periods ensure you take regular breaks.

Safety of others

- ◆ This appliance is not intended for use by persons (including children) with reduced physical, sensory or mental capabilities, or lack of experience and knowledge, unless they have been given supervision or instruction concerning use of the appliance by a person responsible for their safety.
- ◆ Unpack all parts and lay them on a flat, stable surface
- ◆ Remove all packing materials and shipping devices, if

Labels on tool

The following pictograms along with the date code are shown on the tool:



Warning! To reduce the risk of injury, the user must read the instruction manual.



Wear safety glasses or goggles.



Wear ear protection.



Wear a dust mask.



Wear gloves when handling blades.

Position of data barcode (Fig.I)

The data barcode (10), including the year of manufacturing, is printed on tool housing.

E.g.:

2015 XX ZY
Year of manufacturing

Package Content

- 1 stirrer
- 2 wrenches
- 1 instruction manual

Electrical safety



This tool is double insulated; therefore no earth wire is required. Always check that the power supply corresponds to the voltage on the rating plate.

- ◆ Inspect tool cords periodically. If the supply cord is damaged, it must be replaced by the manufacturer or an authorised Stanley Fat Max Service Centre in order to avoid a hazard.

Voltage drops

Inrush currents cause short-time voltage drops. Under unfavourable power supply conditions, other equipment may be affected. If the system impedance of the power supply is lower than 0.34 Ω, disturbances are unlikely to occur.

Using an extension cable

- ◆ Always use an approved extension cable suitable for the power input of this tool (see technical data). Before use, inspect the extension cable for signs of damage, wear and ageing.
- ◆ Replace the extension cable if damaged or defective. When using a cable reel, always unwind the cable completely. Use of an extension cable not suitable for the power input of the tool or which is damaged or defective may result in a risk of fire and electric shock

Features

This tool includes some or all of the following features.

1. Air vents
2. Handle (left & right)
3. Socket
4. Shaft
5. Stirrer
6. lock-on button
7. Variable speed switch
8. Power cord with plug
9. Mounting spanner 22mm (x 2)

Assembly.

Unpacking.

- ◆ Unpack all parts and lay them on a flat, stable surface
- ◆ Remove all packing materials and shipping devices, if applicable.
- ◆ Make sure the delivery contents are complete and free of any damage. If you find that parts are missing or show damage do not use the product but contact your dealer. Using an incomplete or damaged product represents a hazard to people and property. Ensure that you have all the accessories and tools needed for assembly and operation. This also includes suitable personal protective equipment.

Warning! The product and the packaging are not children's toys! Children must not play with plastic bags, sheets and small parts! There is a danger of choking and suffocation!

Setup

Warning! The product must be fully assembled before operation! Do not use a product that is only partly assembled or assembled with damaged parts! Follow the assembly instructions step-by-step and use the pictures provided as a visual guide to easily assemble the product! Do not connect the product to power supply before it is completely assembled!

Stirrer

Warning! Stirrers are available in different types and with different shape and diameters. Always use the correct stirrer according to the intended use! Observe the technical requirements of this product (see section "Technical specifications") when purchasing and using stirrer! Stirrer becomes hot during use! Handle them carefully! Wear protective gloves when handling stirrer in order to avoid injuries like burns and cuts!

Attaching (Fig.A, Fig.B, Fig.

- ◆ Align the stirrer (5) with the shaft (4). Screw the stirrer (5) clockwise onto the lower end
- ◆ Lock the welded nut of the shaft (4) with one mounting spanner (9) and secure the stirrer (5) clockwise with the other (9) gripping the welded nut (Fig. B).

Note! Tighten the connection hand tight at first, before using the spanners.

- ◆ Align the shaft (4) with the socket (3). Screw the shaft end with welded nut clockwise into the socket (3) (Fig. C).
- ◆ Lock the socket (3) with one mounting spanner (9) and secure the shaft (4) clockwise with another mounting spanner (9) gripping the welded nut (Fig. D).

Note! Tighten the connection hand tight at first, before using the spanners.

Removing/Replacing (Fig.E, Fig.F)

- ◆ Lock the socket (3) with one mounting spanner (9) and loosen the shaft (4) anticlockwise with another

- ◆ mounting spanner (9) gripping the welded nut (Fig. E).
- ◆ Loosen the welded nut anticlockwise (Fig. F) and remove the shaft (4) from the socket (3) (Fig. F)

Stirrer (Fig.G, Fig.H)

- ◆ Lock the welded nut of the shaft (4) with one mounting spanner (9) and loosen the stirrer (5) anticlockwise with another mounting spanner (9) gripping the welded nut (Fig. G).
- ◆ Loosen the welded nut anticlockwise (Fig. H) and remove the stirrer (5) from the shaft (4) (Fig. H).
- ◆ Attach a new shaft/stirrer as required.

Use

Variable speed switch (Fig.I)

Operate the product either in instant or continuous mode.

Instant Mode

- ◆ Switch the product on by pressing the variable speed switch (7) (Fig. I).
- ◆ Switch the product off by releasing the variable speed switch (7).

Continuous mode

- ◆ Switch the product on by pressing the variable speed switch (7) and hold it in position (Fig. J, step 1).
- ◆ Press the lock-on button (6) and hold it in position to lock the variable speed switch (7) (Fig. I, step 2).
- ◆ Release the lock-on button (6) and variable speed switch (8). The variable speed switch is now locked on for continuous use.
- ◆ Depress and release the variable speed switch (7) to switch the product off.

General operation

- ◆ Check the product, its power cord and plug as well as accessories for damage before each use. Do not use the product if it is damaged or shows wear.
- ◆ Double check that the accessories and attachments are properly fixed.
- ◆ Always hold the product on its handles. Keep the handles dry to ensure safe support.
- ◆ Ensure that the air vents are always unobstructed and clear. Clean them if necessary with a soft brush. Blocked air vents may lead to overheating and damage the product.
- ◆ Switch the product off immediately if you are disturbed while working by other people entering the working area. Always let the product come to complete stop before putting it down.
- ◆ Do not overwork yourself. Take regular breaks to ensure you can concentrate on the work and have full control over the product.

Mixing (Fig.K)

Warning! During operation fine dust will be generated! Some dusts are highly inflammable and explosive! Do not smoke during operation, keep heat sources and open flames out of the working area! Always wear a dust mask to protect yourself against hazards resulting from fine dust! The stirrer will come to a stop during operation if the material is too firm! Switch the product off, lift the stirrer out of the material and inspect the material before using the product again! A blocked stirrer may cause overheating of the motor. Hold the product firmly during operation. Do not let the stirrer touch the bucket! This can cause damage to the stirrer and bucket!

- ◆ Hold the product with 2 hands on both handles (2) and insert the stirrer (5) into the material (Fig. M).
- ◆ Gently press variable speed trigger switch to start operation at a low speed.
- ◆ Move the stirrer through the material until it is evenly and completely mixed.
- ◆ Switch the product off. Let the stirrer come to a complete stop before lifting it out of the mixing material.

Warning: Switch the product off, let it come to a complete stop and disconnect it from the power supply if the stirrer gets stuck in the mixing material. Only then free the jammed attachment.

After use

Warning: Always switch the product off, disconnect the product from the power supply and let the product cool down before performing inspection, maintenance and cleaning work!

Cleaning

- ◆ Keep the product clean. Remove debris from it after each use and before storage.
- ◆ Regular and proper cleaning will help ensure safe use and prolong the life of the product.
- ◆ Inspect the product before each use for worn and damaged parts. Do not operate it if you find broken and worn parts.

Warning: Only perform repairs and maintenance work according to these instructions! All further works must be performed by a qualified specialist!

- ◆ Clean the product with a dry cloth. Use a brush for areas that are hard to reach.
- ◆ In particular clean the air vents (1) after every use with a cloth and brush.
- ◆ Remove stubborn dirt with high pressure air (max. 3 bar).

Note: Do not use chemical, alkaline, abrasive or other aggressive detergents or disinfectants to clean this product as they might be harmful to its surfaces.

- ◆ Check for worn or damaged parts. Replace worn parts as necessary or contact an authorised service centre for repair before using the product again.

Maintenance

- ◆ Before and after each use, check the product and accessories (or attachments) for wear and damage. If required, exchange them for new ones as described in this instruction manual. Observe the technical requirements.

Repair

This product does not contain any parts that can be repaired by the consumer. Contact an authorised service centre or a similarly qualified person to have it checked and repaired.

Storage

- ◆ Switch the product off and disconnect it from the power supply.
- ◆ Clean the product as described above.
- ◆ Store the product and its accessories in a dark, dry, frostfree, well-ventilated place. Always store the product in a place that is inaccessible to children. The ideal storage temperature is between 10°C and 30°C.
- ◆ We recommend using the original package for storage or covering the product with a suitable cloth or enclosure to protect it against dust.

Transportation

- ◆ Switch the product off and disconnect it from the power supply.
- ◆ Attach transportation guards, if applicable.
- ◆ Always carry the product by its handles (2).
- ◆ Protect the product from any heavy impact or strong vibrations which may occur during transportation in vehicles.
- ◆ Secure the product to prevent it from slipping or falling over.

Troubleshooting

Suspected malfunctions are often due to causes that the users can fix themselves. Therefore check the product using this section. In most cases the problem can be solved quickly.

Problem	Possible Cause	Solution
Product does not start	Not connected to power supply	Connect to power supply
	Power cord or plug is defective	Check by a specialist electrician
	Other electrical defect to the product	Check by a specialist electrician

Product does not reach full power	Extension cord not suitable for operation with this product	Use a proper extension cord
	Power source (e.g. generator) has too low voltage	Connect to another power source
	Air vents are blocked	Clean the air vents
Unsatisfactory result	Stirrer is worn	Replace with new one
	Stirrer not suitable for material to be mixed	Use proper stirrer

Maintenance

Your tool has been designed to operate over a long period of time with a minimum of maintenance. Continuous satisfactory operation depends upon proper tool care and regular cleaning.

Warning! Before performing any maintenance, switch off and unplug the tool.

- ◆ Regularly clean the ventilation slots in your tool using a soft brush or dry cloth.
- ◆ Regularly clean the motor housing using a damp cloth. Do not use any abrasive or solvent-based cleaner.

Protecting the environment



Separate collection. This product must not be disposed of with normal household waste.



Should you find one day that your Stanley product needs replacement, or if it is of no further use to you, do not dispose of it with household waste. Make this product available for separate collection.



Separate collection of used products and packaging allows materials to be recycled and used again. Re-use of recycled materials helps prevent environmental pollution and reduces the demand for raw materials.

Local regulations may provide for separate collection of electrical products from the household, at municipal waste sites or by the retailer when you purchase a new product

Remarks

- ◆ Stanley's policy is one of continuous improvement to our products and as such, we reserve the right to modify product specifications without prior notice.

- ◆ Standard equipment and accessories may vary by country.
- ◆ Product specifications may differ by country.
- ◆ Complete product range may not be available in all countries. Contact your local Stanley dealers for range availability.

EC declaration of conformity
MACHINERY DIRECTIVE



Technical Data

		SDR1400
Input power	W	1400
No-load speed	m in ⁻¹	0-480/0-800
Diameter of stirrer	mm	Ø 140
Coupling thread		M14
Variable speed		YES
Mixture volume		max. 120L
Weight	kg	3.5

Level of sound pressure according to EN 60745:

Sound pressure (LpA) 90.5 dB(A), uncertainty (K) 3 dB(A)
Sound power (LWA) 101.5 dB(A), uncertainty (K) 3 dB(A)

Vibration total values (triax vector sum) according to EN 60745:

$a_h < 2.5 \text{ m/s}^2$, uncertainty (K) 1.5 m/s^2

Vibration

The declared vibration emission values stated in the technical data and the declaration of conformity have been measured in accordance with a standard test method provided by EN 60745 and may be used for comparing one tool with another. The declared vibration emission value may also be used in a preliminary assessment of exposure.

Warning! The vibration emission value during actual use of the power tool can differ from the declared value depending on the ways in which the tool is used. The vibration level may increase above the level stated. When assessing vibration exposure to determine safety measures required by 2002/44/EC to protect persons regularly using power tools in employment, an estimation of vibration exposure should consider, the actual conditions of use and the way the tool is used, including taking account of all parts of the operating cycle such as the times when the tool is switched off and when it is running idle in addition to the trigger time.

Service Information

STANLEY offers a full network of company-owned and/or authorized service agents throughout your country. All STANLEY Service Centers are staffed with trained personnel to provide customers with efficient and reliable power tool service. Whether you need technical advice, repair, or genuine factory replacement parts, contact the STANLEY location nearest to you.

SDR1400 - Paddle mixer

Stanley Europe declares that these products described under "technical data" are in compliance with: 2006/42/EC, EN 60745-1:2009 + A11:2010,

These products also comply with Directive 2004/108/EC (until 19/04/2016) 2014/30/EU (from 20/04/2016) and 2011/65/EU. For more information, please contact Stanley Europe at the following address or refer to the back of the manual.

The undersigned is responsible for compilation of the technical file and makes this declaration on behalf of Stanley Europe.

Ray Laverick
Engineering Manager
Stanley Europe, Egide Walschaertsstraat14-18,
2800 Mechelen, Belgium
01.2016

ONE-YEAR WARRANTY

If your STANLEY product becomes defective due to faulty materials or workmanship within 12 months from the date of purchase, STANLEY guarantees to replace all defective parts free of charge or – at our discretion – replace the unit free of charge provided that:

- ◆ The product has not been misused and has been used in accordance with the instruction manual;
- ◆ The product has been subject to fair wear and tear;
- ◆ Repairs have not been attempted by unauthorized persons;
- ◆ Proof of purchase is produced;
- ◆ The STANLEY product is returned complete with all original components;
- ◆ The product hasn't been used for hire purposes.

If you wish to make a claim, contact your seller or check the location of your nearest authorised STANLEY repair agent in the STANLEY catalogue or contact your local STANLEY office at the address indicated in this manual. A list of authorised STANLEY repair agents and full details of our after sales service is available on the internet at: www.2helpU.com

Назначение

Ваш миксер SDR1400 Stanley предназначен для перемешивания жидкостей и порошкообразных материалов: красок, клея, штукатурки, бетонных смесей, строительных растворов и пр. Данный инструмент предназначен для профессионального использования.

Инструкции по технике безопасности

Общие правила безопасности при работе с электроинструментами



Внимание! Внимательно прочтите все инструкции по безопасности и руководство по эксплуатации. Несоблюдение всех перечисленных ниже правил безопасности и инструкций может привести к поражению электрическим током, возникновению пожара и/или получению тяжелой травмы.

Сохраните все инструкции по безопасности и руководство по эксплуатации для их дальнейшего использования. Термин «Электроинструмент» во всех приведенных ниже указаниях относится к Вашему сетевому (с кабелем) или аккумуляторному (беспроводному) электроинструменту.

1. Безопасность рабочего места

- a. **Содержите рабочее место в чистоте и обеспечьте хорошее освещение.** Плохое освещение или беспорядок на рабочем месте может привести к несчастному случаю.
- b. **Не используйте электроинструменты, если есть опасность возгорания или взрыва, например, вблизи легко воспламеняющихся жидкостей, газов или пыли.** В процессе работы электроинструмент создает искровые разряды, которые могут воспламенить пыль или горючие пары.
- c. **Во время работы с электроинструментом не подпускайте близко детей или посторонних лиц.** Отвлечение внимания может вызвать у Вас потерю контроля над рабочим процессом.

2. Электробезопасность

- a. **Вилка кабеля электроинструмента должна соответствовать штепсельной розетке. Ни в коем случае не видоизменяйте вилку электрического кабеля. Не используйте соединительные штепсели- переходники, если в силовом кабеле электроинструмента есть провод заземления.** Использование оригинальной вилки кабеля и соответствующей ей штепсельной розетки уменьшает риск поражения электрическим током.

- b. **Во время работы с электроинструментом избегайте физического контакта с заземленными объектами, такими как трубопроводы, радиаторы отопления, электроплиты и холодильники.** Риск поражения электрическим током увеличивается, если Ваше тело заземлено.
 - c. **Не используйте электроинструмент под дождем или во влажной среде.** Попадание воды в электроинструмент увеличивает риск поражения электрическим током.
 - d. **Бережно обращайтесь с электрическим кабелем. Ни в коем случае не используйте кабель для переноски электроинструмента или для вытягивания его вилки из штепсельной розетки. Не подвергайте электрический кабель воздействию высоких температур и смазочных веществ; держите его в стороне от острых кромок и движущихся частей инструмента.** Поврежденный или запутанный кабель увеличивает риск поражения электрическим током.
 - e. **При работе с электроинструментом на открытом воздухе используйте удлинительный кабель, предназначенный для наружных работ.** Использование кабеля, пригодного для работы на открытом воздухе, снижает риск поражения электрическим током.
 - f. **При необходимости работы с электроинструментом во влажной среде используйте источник питания, оборудованный устройством защитного отключения (УЗО).** Использование УЗО снижает риск поражения электрическим током.
- #### 3. Личная безопасность
- a. **При работе с электроинструментами будьте внимательны, следите за тем, что Вы делаете, и руководствуйтесь здравым смыслом. Не используйте электроинструмент, если Вы устали, а также находясь под действием алкоголя или понижающих реакцию лекарственных препаратов и других средств.** Малейшая неосторожность при работе с электроинструментами может привести к серьезной травме.
 - b. **При работе используйте средства индивидуальной защиты. Всегда надевайте защитные очки.** Своевременное использование защитного снаряжения, а именно: пылезащитной маски, ботинок на нескользящей подошве, защитного шлема или противосуммовых наушников, значительно снижает риск получения травмы.
 - c. **Не допускайте непреднамеренного запуска. Перед тем, как подключить электроинструмент к сети и/или аккумулятору, поднять или**

- перенести его, убедитесь, что выключатель находится в положении «выключено». Не переносите электроинструмент с нажатой кнопкой выключателя и не подключайте к сетевой розетке электроинструмент, выключатель которого установлен в положение «включено», это может привести к несчастному случаю.
- d. **Перед включением электроинструмента снимите с него все регулировочные или гаечные ключи.** Регулировочный или гаечный ключ, оставленный закрепленным на вращающейся части электроинструмента, может стать причиной тяжелой травмы.
- e. **Работайте в устойчивой позе. Всегда сохраняйте равновесие и устойчивую позу.** Это позволит Вам не потерять контроль при работе с электроинструментом в непредвиденной ситуации.
- f. **Одевайтесь соответствующим образом. Во время работы не надевайте свободную одежду или украшения.** Следите за тем, чтобы Ваши волосы, одежда или перчатки находились в постоянном отдалении от движущихся частей инструмента. Свободная одежда, украшения или длинные волосы могут попасть в движущиеся части инструмента.
- g. **Если электроинструмент снабжен устройством сбора и удаления пыли, убедитесь, что данное устройство подключено и используется надлежащим образом.** Использование устройства пылеудаления значительно снижает риск возникновения несчастного случая, связанного с запыленностью рабочего пространства.
4. **Использование электроинструментов и технический уход**
- a. **Не перегружайте электроинструмент. Используйте Ваш инструмент по назначению.** Электроинструмент работает надежно и безопасно только при соблюдении параметров, указанных в его технических характеристиках.
- b. **Не используйте электроинструмент, если его выключатель не устанавливается в положение включения или выключения.** Электроинструмент с неисправным выключателем представляет опасность и подлежит ремонту.
- c. **Отключайте электроинструмент от сетевой розетки и/или извлекайте аккумулятор перед регулированием, заменой принадлежностей или при хранении электроинструмента.** Такие меры предосторожности снижают риск случайного включения электроинструмента.
- d. **Храните неиспользуемые электроинструменты в недоступном для детей месте и не позволяйте лицам, не знакомым с электроинструментом или данными инструкциями, работать с электроинструментом.** Электроинструменты представляют опасность в руках неопытных пользователей.
- e. **Регулярно проверяйте исправность электроинструмента. Проверяйте точность совмещения и легкость перемещения подвижных частей, целостность деталей и любых других элементов электроинструмента, воздействующих на его работу. Не используйте неисправный электроинструмент, пока он не будет полностью отремонтирован.** Большинство несчастных случаев являются следствием недостаточного технического ухода за электроинструментом.
- f. **Следите за остротой заточки и чистой режущей принадлежностью.** Принадлежности с острыми кромками позволяют избежать заклинивания и делают работу менее утомительной.
- g. **Используйте электроинструмент, аксессуары и насадки в соответствии с данным Руководством и с учетом рабочих условий и характера будущей работы.** Использование электроинструмента не по назначению может создать опасную ситуацию.
5. **Техническое обслуживание**
- a. **Ремонт Вашего электроинструмента должен производиться только квалифицированными специалистами с использованием идентичных запасных частей.** Это обеспечит безопасность Вашего электроинструмента в дальнейшей эксплуатации.

Дополнительные меры безопасности при работе миксерами

- ◆ **Никогда не закрепляйте инструмент в тисках или на верстаке в целях его использования в качестве стационарного инструмента.** Это может привести к получению тяжелой травмы.
- ◆ **При заклинивании насадки немедленно выключайте инструмент.** Будьте готовы к высоким реакционным моментам, которые ведут к обратному удару. Перегрузку инструмента или перекашивание обрабатываемой заготовки приводят к заклиниванию насадки.
- ◆ **При использовании данного инструмента надевайте защитную одежду, респиратор и защитные перчатки.** При использовании инструмента может образовываться пыль и брызги.
- ◆ **При работе всегда держите инструмент обеими руками за рукоятки.** Крепко удерживайте рукоятки и сохраняйте устойчивую позу, стоя на твердой, ровной и сухой поверхности. Потеря контроля над инструментом может привести к получению

тяжёлой травмы.

- ◆ Не используйте данный инструмент для перемешивания легко воспламеняющихся и взрывоопасных материалов, например, растворителей. В процессе работы данный инструмент способен создавать искровые разряды, которые могут воспалить возникающие пары.
- ◆ Используйте данный инструмент только внутри помещений. Влага и дождь, а также падение инструмента в перемешиваемую массу или проникновение перемешиваемой массы внутрь инструмента могут привести к повреждениям инструмента и поражению электрическим током. Инструмент должен осматриваться только профессиональным электриком. Проникновение перемешиваемой массы и влаги внутрь инструмента может привести к повреждению инструмента или поражению электрическим током.
- ◆ Не работайте с любыми веществами, способными нанести вред здоровью. Многие материалы становятся ядовитыми именно во время их обработки.
- ◆ Не вдыхайте пары любых вредных веществ и избегайте их попадания на кожу. Следуйте инструкциям производителей веществ и используйте соответствующие средства индивидуальной защиты.
- ◆ Перед тем как извлечь насадку из перемешиваемого материала и положить инструмент, всегда дожидайтесь полной остановки насадки. В противном случае может заклинить насадка или расплескаться перемешиваемая масса. Это может привести к потере контроля над инструментом.

Остаточные риски

Несмотря на соблюдение соответствующих инструкций по технике безопасности и использование предохранительных устройств, некоторые остаточные риски невозможно полностью исключить. К ним относятся:

- ◆ Травмы в результате касания вращающихся/двигающихся частей инструмента.
- ◆ Ухудшение слуха.
- ◆ Риск получения травмы во время смены деталей инструмента или насадок.
- ◆ Ущерб здоровью в результате вдыхания пыли в процессе работы с инструментом при обработке древесины, в особенности, дуба, бука и ДВП.
- ◆ Риск получения травмы, связанный с продолжительным использованием инструмента. При использовании инструмента в течение продолжительного периода времени делайте регулярные перерывы в работе.

Безопасность посторонних лиц

Данное изделие не может использоваться людьми (включая детей) со сниженными физическими, сенсорными и умственными способностями или при отсутствии необходимого опыта или навыка, за исключением, если они выполняют работу под присмотром лица, отвечающего за их безопасность.

Не позволяйте детям играть с электроинструментом.

Маркировка инструмента

Наравне с кодом даты на инструменте могут находиться следующие знаки:



Внимание! Полное ознакомление с руководством по эксплуатации снизит риск получения травмы.



Всегда работайте в защитных очках



Всегда используйте средства защиты слуха.



Надевайте защитную маску или респиратор.



Надевайте защитные перчатки.

Положение даты штрих-кода

Дата кода (10), который также включает год изготовления, печатается на корпусе.

Пример:

2015 XX ZY

Год изготовления

Электробезопасность



Данный инструмент защищен двойной изоляцией, что исключает потребность в заземляющем проводе. Следите за напряжением электрической сети, оно должно соответствовать величине, обозначенной на информационной табличке электроинструмента.

- ◆ Во избежание несчастного случая, замена поврежденного кабеля питания должна производиться только на заводе-изготовителе или в авторизованном сервисном центре STANLEY.

Перепады напряжения

При бросках тока возникают кратковременные перепады напряжения. Недостаточные параметры электропитания могут привести к сбоям в работе другого оборудования. Если полное электрическое сопротивление системы ниже 0,34 Ω , вероятность возникновения помех крайне мала.

Использование удлинительного кабеля

- ♦ Всегда используйте удлинительные кабели установленного образца, соответствующие входной мощности данного электроинструмента (см. раздел «Технические характеристики»). Перед использованием проверьте удлинительный кабель на наличие признаков повреждения, старения и износа. В случае обнаружения повреждений удлинительный кабель подлежит замене. При использовании кабельного барабана, всегда полностью разматывайте кабель. Использование не соответствующего входному напряжению инструмента и повреждённого или неисправного удлинительного кабеля может привести к возгоранию и поражению электрическим током.

Составные части

Ваш инструмент может содержать все или некоторые из перечисленных ниже составных частей:

1. Вентиляционные прорези
2. Рукоятки (левая и правая)
3. Соединительная муфта
4. Штанга
5. Смесительная насадка
6. Кнопка блокировки пускового выключателя
7. Клавиша пускового выключателя с регулировкой скорости
8. Электрический кабель с вилкой
9. Монтажный ключ 22 мм (2 шт.)

Сборка

Распаковка

- ♦ Распакуйте все части инструмента и разложите их на плоской устойчивой поверхности
- ♦ Удалите все упаковочные материалы и приспособления для перевозки, если таковые имеются.
- ♦ Убедитесь в полной комплектации поставки и отсутствии каких-либо повреждений. При обнаружении повреждённых или отсутствующих деталей не используйте инструмент и обратитесь к Вашему продавцу. Использование инструмента с недостающими или повреждёнными деталями представляет опасность для людей и имущества.
- ♦ Убедитесь, что у Вас имеются все принадлежности и ручные инструменты, необходимые для сборки и эксплуатации инструмента. Данное требование также относится к средствам индивидуальной защиты.

Внимание! Инструмент и его упаковка не являются игрушками для детей. Не позволяйте детям играть с пластиковыми пакетами, упаковочной бумагой и мелкими деталями. Существует опасность удушья.

Сборка

Внимание! Перед использованием инструмент должен быть полностью собран. Не используйте инструмент в частично собранном виде, а также, если при сборке обнаружены повреждённые части. Для быстрой и лёгкой сборки инструмента следуйте пошаговым инструкциям по сборке и иллюстрациям. Не подключайте к источнику питания инструмент, пока он не будет полностью собран.

Смесительная насадка

Внимание! В продаже имеются смесительные насадки различных типов, форм и диаметров. Всегда используйте правильный тип смесительной насадки в соответствии с выполняемой операцией. Перед покупкой и использованием смесительной насадки ознакомьтесь с техническими требованиями данного продукта (см. раздел «Технические характеристики»). Смесительная насадка во время работы сильно нагревается. Прикасаясь к ней с осторожностью. Во избежание получения таких травм, как ожоги или порезы, при работе со смесительными насадками надевайте защитные перчатки.

Установка (Рис. А, В, С, D)

- ♦ Соедините смесительную насадку (5) со штангой (4). Накрутите по часовой стрелке смесительную насадку (5) на нижний конец штанги (4) (Рис. А).
- ♦ Придерживая приварную гайку на штифте (4) одним монтажным ключом (9), затяните смесительную насадку (5) по часовой стрелке другим монтажным ключом (9), поместив его на приварную гайку (Рис. В).

Примечание! Прежде чем использовать ключи, сначала затяните соединение вручную.

- ♦ Соедините штангу (4) с соединительной муфтой (3). Винтите по часовой стрелке конец штанги с приварной гайкой в соединительную муфту (3) (Рис. С).
- ♦ Придерживая соединительную муфту (3) одним монтажным ключом (9), затяните штангу (4) по часовой стрелке другим монтажным ключом (9), поместив его на приварную гайку (Рис. D).

Примечание! Прежде чем использовать ключи, сначала затяните соединение вручную.

Снятие/замена (Рис. Е, F)

- ♦ Придерживая соединительную муфту (3) одним монтажным ключом (9), ослабьте штангу (4) против часовой стрелки другим монтажным ключом (9), поместив его на приварную гайку (Рис. Е).
- ♦ Ослабьте приварную гайку против часовой стрелки (Рис. F) и извлеките штангу (4) из соединительной муфты (3) (Рис. F).

Смесительная насадка (Рис. G, H)

- ◆ Придерживая приварную гайку на штифте (4) одним монтажным ключом (9), ослабьте смесительную насадку (5) против часовой стрелки другим монтажным ключом (9), поместив его на приварную гайку (Рис. G).
- ◆ Ослабьте приварную гайку против часовой стрелки (Рис. H) и извлеките смесительную насадку (5) из штанги (4) (Рис. H).
- ◆ При необходимости установите новую штангу/ смесительную насадку.

Эксплуатация

Клавиша пускового выключателя с регулировкой скорости (Рис. I)

Данный инструмент может работать в обычном и продолжительном режиме.

Обычный режим работы

- ◆ Включите инструмент, нажав на клавишу пускового выключателя с регулировкой скорости (7) (Рис. I).
- ◆ Чтобы выключить инструмент, отпустите клавишу пускового выключателя с регулировкой скорости (7).

Продолжительный режим работы

- ◆ Включите инструмент, нажав и удерживая нажатой клавишу пускового выключателя с регулировкой скорости (7) (Рис. J, шаг 1).
- ◆ Для блокировки клавиши пускового выключателя с регулировкой скорости (7) нажмите и удерживайте нажатой кнопку блокировки (6) (Рис. J, шаг 2).
- ◆ Отпустите кнопку блокировки (6), затем клавишу пускового выключателя (7). Теперь клавиша пускового выключателя заблокирована для работы в продолжительном режиме.
- ◆ Чтобы выключить инструмент, нажмите и отпустите клавишу пускового выключателя регулировкой скорости (7).

Эксплуатация

- ◆ Перед каждым использованием проверяйте инструмент, электрический кабель, вилку и все дополнительные принадлежности на наличие повреждений. Не используйте инструмент, если он поврежден или выглядит изношенным.
- ◆ Дважды проверьте правильность и надёжность крепления насадок и принадлежностей.
- ◆ Всегда держите инструмент за рукоятки. Для обеспечения безопасного удержания следите, чтобы рукоятки были сухими.
- ◆ Убедитесь, что вентиляционные прорези чистые и ничем не заблокированы. При необходимости прочистите их мягкой щёткой. Заблокированные вентиляционные прорези могут стать причиной

перегрева и повреждения инструмента.

- ◆ Незамедлительно выключайте инструмент, если во время работы Вас беспокоят посторонние люди, входящие в рабочую зону. Прежде чем положить инструмент, дождитесь его полной остановки.
- ◆ Не переутомляйтесь. Делайте регулярные перерывы, чтобы убедиться, что Вы можете сосредоточиться на работе и иметь полный контроль над инструментом.

Смешивание (Рис. K)

Внимание! Во время работы будет выделяться мелкая пыль. Некоторые виды пыли являются легковоспламеняющимися и взрывоопасными. Не курите во время работы. Следите, чтобы в рабочей зоне не было источников тепла и открытого огня. В целях защиты от вредной мелкой пыли при работе всегда надевайте респиратор. При перемешивании слишком вязкого материала смесительная насадка может остановиться. Выключите инструмент, поднимите смесительную насадку из материала и осмотрите материал, прежде чем использовать инструмент снова. Блокировка смесительной насадки может стать причиной перегрева двигателя. Крепко удерживайте инструмент во время использования. Следите, чтобы смесительная насадка не прикасалась к стенкам ведра. Это может привести к повреждению как смесительной насадки, так и ведра.

- ◆ Удерживая инструмент двумя руками за обе рукоятки (2), введите смесительную насадку (5) в материал (Рис. M).
- ◆ Мягко нажмите на пусковой выключатель с регулировкой скорости, начиная операцию на самой низкой скорости.
- ◆ Двигайте смесительную насадку в материале, пока он равномерно и полностью не перемешается.
- ◆ Выключите инструмент. Прежде чем поднять смесительную насадку из перемешиваемой смеси дождитесь её полной остановки.

Внимание: При увязании насадки в смешиваемой смеси выключите инструмент, дождитесь полной остановки насадки и отсоедините инструмент от источника питания. Только после этого освободите увязшую насадку.

После использования

Внимание: Перед проведением осмотра, технического обслуживания и чистки всегда выключайте инструмент, отсоединяйте его от источника питания и дождитесь его полного охлаждения.

Чистка

- ◆ Содержите инструмент в чистоте. Удаляйте с него грязь после каждого использования и перед тем как убрать его на хранение.

- ◆ Регулярная и тщательная чистка поможет обеспечить безопасность при использовании инструмента и продлит срок его службы.
- ◆ Перед каждым использованием проверяйте инструмент на наличие изношенных и повреждённых частей. Не используйте инструмент при обнаружении поломанных и изношенных частей.

Внимание: Ремонт и техническое обслуживание инструмента должно производиться только в соответствии с данными инструкциями! Все последующие работы должны проводиться квалифицированными специалистами.

- ◆ Очищайте инструмент сухой тканью. Для чистки труднодоступных участков используйте щётку.
- ◆ В частности, очищайте вентиляционные прорези (1) тканью или щёткой после каждого использования инструмента.
- ◆ Стойкую грязь удаляйте сухим сжатым воздухом (макс. 3 Бар).

Примечание: Не используйте химические, щелочные, абразивные или другие агрессивные моющие или дезинфицирующие средства для очистки данного инструмента, поскольку они могут повредить его поверхности.

- ◆ Проверяйте исправность деталей инструмента. При необходимости замените изношенные детали или отнесите инструмент в авторизованный сервисный центр для проведения ремонта, прежде чем снова использовать инструмент.

Ремонт

Данный продукт не содержит каких-либо частей и деталей, которые могут быть отремонтированы пользователем. Для осмотра и ремонта инструмента обратитесь в авторизованный сервисный центр или к авторизованному квалифицированному специалисту.

Хранение

- ◆ Выключите инструмент и отключите его от источника питания.
- ◆ Очистите инструмент, как было описано выше.
- ◆ Храните инструмент и насадки в тёмном, сухом, безморозном и хорошо вентилируемом месте.
- ◆ Всегда убирайте инструмент на хранение в места, недоступные для детей. Оптимальная температура при хранении от +10°C до +30°C.
- ◆ В целях защиты инструмента от пыли во время хранения рекомендуется использовать оригинальную упаковку, или укрывать инструмент тканью, или убирать его в шкаф.

Транспортировка

- ◆ Выключите инструмент и отключите его от источника питания.

- ◆ При необходимости используйте специальные средства для транспортировки.
- ◆ Всегда держите инструмент за рукоятки (2).
- ◆ Защитите инструмент от ударов или сильных вибраций, которые могут возникнуть во время перевозки в транспортных средствах.
- ◆ Закрепляйте инструмент, чтобы предотвратить его скольжение или падение.

Возможные неисправности и способы их устранения

Некоторые из неисправностей возникают по причинам, которые пользователи могут исправить самостоятельно. Вы можете проверить свой инструмент, используя данный раздел. В большинстве случаев проблема может быть решена легко и быстро.

Проблема	Возможная причина	Решение
Инструмент не включается	Инструмент не подключён к источнику питания	Подключите инструмент к источнику питания
	Силовой кабель или вилка неисправны	Обратитесь к профессиональному электрику
	Наличие другого электрического повреждения в инструменте	Обратитесь к профессиональному электрику
Инструмент не набирает полную мощность	Удлинительный кабель не подходит для использования с данным инструментом	Используйте правильный тип удлинительного кабеля
	Источник питания (например, генератор) вырабатывает слишком низкое напряжение	Подключите инструмент к другому источнику питания
	Заблокированы вентиляционные прорези	Прочистите вентиляционные прорези
Неудовлетворительный результат	Смесительная насадка изношена	Замените смесительную насадку
	Смесительная насадка не подходит для типа перемешиваемого материала	Используйте правильный тип смесительных насадок

Техническое обслуживание

Ваш электроинструмент рассчитан на работу в течение продолжительного времени при минимальном техническом обслуживании. Срок службы и надежность инструмента увеличивается при правильном уходе и регулярной чистке.

Внимание! Перед выполнением любой из следующих операций убедитесь, что электроинструмент выключен и отсоединен от электросети, и что пила остановилась.

Регулярно очищайте вентиляционные прорези Вашего электроинструмента и зарядного устройства мягкой щеткой или сухой салфеткой.

Регулярно очищайте корпус двигателя влажной салфеткой. Не пользуйтесь абразивными чистящими средствами или растворителями. Не допускайте попадания жидкости внутрь электроинструмента и ни в коем случае не погружайте какую-либо часть электроинструмента в жидкость.

Защита окружающей среды



Раздельный сбор. Данное изделие нельзя утилизировать вместе с обычными бытовыми отходами.

Если однажды Вы захотите заменить Ваш электроинструмент STANLEY, или Вы больше в нем не нуждаетесь, не выбрасывайте его вместе с бытовыми отходами. Отнесите изделие в специальный приемный пункт.



Раздельный сбор изделий с истекшим сроком службы и их упаковок позволяет пускать их в переработку и повторно использовать. Использование переработанных материалов помогает защищать окружающую среду от загрязнения и снижает расход сырьевых материалов.

Местное законодательство может обеспечить сбор старых электроинструментов отдельно от бытового мусора на муниципальных свалках отходов, или Вы можете сдавать их в торговом предприятии при покупке нового изделия.

Фирма STANLEY обеспечивает прием и переработку отслуживших свой срок изделий STANLEY. Чтобы воспользоваться этой услугой, Вы можете сдать Ваше изделие в любой авторизованный сервисный центр, который собирает их по нашему поручению. Вы можете узнать место нахождения Вашего

ближайшего авторизованного сервисного центра, обратившись в Ваш местный офис Black & Decker по адресу, указанному в данном руководстве по

эксплуатации. Кроме того, список авторизованных сервисных центров STANLEY и полную информацию о нашем послепродажном обслуживании и контактах Вы можете найти в интернете по адресу: www.2helpU.com.

Примечания

Политика Stanley нацелена на постоянное усовершенствование нашей продукции, поэтому фирма оставляет за собой право изменять технические характеристики изделий без предварительного уведомления.

- ◆ Стандартное оборудование и дополнительные принадлежности могут меняться в зависимости от страны продаж.
- ◆ Технические характеристики продуктов могут различаться в зависимости от страны продаж.
- ◆ Полная линия продуктов присутствует на рынках не всех стран. Для получения информации касательно линии продуктов в Вашей стране обратитесь в ближайший сервисный центр Stanley.

Технические характеристики

SDR1400		
Напряжение питания	Вперем. тока	220-240
Потребляемая мощность	Вт	1400
Частота тока	Гц	50/60
Число оборотов без нагрузки	об/мин	0-480/0-800
Диаметр смесительной насадки	мм	Ø 140
Соединительная муфта	мм	M14
Регулировка скорости		ЕСТЬ
Макс. объём смеси	л	120
Вес	кг	3,5

Информация по техническому обслуживанию

STANLEY имеет обширную сеть принадлежащих компании и авторизованных сервисных центров. В целях предоставления клиентам эффективного и надёжного технического обслуживания электроинструментов во всех сервисных центрах STANLEY работает обученный персонал. За дополнительной информацией о наших авторизованных сервисных центрах, а также, если Вы нуждаетесь в технической консультации, ремонте или покупке оригинальных запасных частей, обратитесь в ближайший к Вам сервисный центр STANLEY.

STANLEY

Гарантийные условия

Уважаемый покупатель!

1. Поздравляем Вас с покупкой высококачественного изделия STANLEY и выражаем признательность за Ваш выбор.
2. При покупке изделия требуйте проверки его комплектности и исправности в Вашем присутствии, инструкцию по эксплуатации и заполненный гарантийный талон на русском языке.
В гарантийном талоне должны быть внесены: модель, дата продажи, серийный номер, дата производства инструмента; название, печать и подпись торговой организации. При отсутствии у Вас правильно заполненного гарантийного талона, а также несоответствия указанных в нем данных мы будем вынуждены отклонить Ваши претензии по качеству данного изделия.
3. Во избежание недоразумений убедительно просим Вас перед началом работы с изделием внимательно ознакомиться с инструкцией по его эксплуатации. Правовой основой настоящих гарантийных условий является действующее Законодательство. Гарантийный срок на данное изделие составляет 24 месяца и исчисляется со дня продажи. В случае устранения недостатков изделия, гарантийный срок продлевается на период его нахождения в ремонте. Срок службы изделия составляет 5 лет со дня продажи.
4. В случае возникновения каких-либо проблем в процессе эксплуатации изделия рекомендуем Вам обратиться только в уполномоченные сервисные центры STANLEY, адреса и телефоны которых Вы сможете найти в гарантийном талоне, на сайте www.2helpU.com или узнать в магазине. Наши сервисные станции - это не только квалифицированный ремонт, но и широкий ассортимент запчастей и принадлежностей.
5. Производитель рекомендует проводить периодическую проверку и техническое обслуживание изделия в уполномоченных сервисных центрах.



Изготовитель

Блэк энд Деккер Холдингс ГмБХ
Германия, 65510, Идштайн,
ул. Блэк энд Деккер, 40

6. Наши гарантийные обязательства распространяются только на неисправности, выявленные в течение гарантийного срока и вызванные дефектами производства и/или материалов.
7. **Гарантийные условия не распространяются на неисправности изделия, возникшие в результате:**
 - 7.1. Несоблюдения пользователем предписаний инструкции по эксплуатации изделия, применения изделия не по назначению, неправильном хранении, использовании принадлежностей, расходных материалов и запчастей, не предусмотренных производителем.
 - 7.2. Механического повреждения (сколы, трещины и разрушения) внутренних и внешних деталей изделия, основных и вспомогательных рукояток, сетевого электрического кабеля, вызванного внешним ударным или любым иным воздействием
 - 7.3. Попадания в вентиляционные отверстия и проникновение внутрь изделия посторонних предметов, материалов или веществ, не являющихся отходами, сопровождающими применение изделия по назначению, такими как: стружка, опилки, песок, и пр.
 - 7.4. Воздействия на изделие неблагоприятных атмосферных или иных внешних факторов, таких как дождь, снег, повышенная влажность, нагрев, агрессивные среды, несоответствие параметров питающей электросети, указанных на инструменте.
 - 7.5. Стихийного бедствия. Повреждение или утрата изделия, связанное с непредвиденными бедствиями, стихийными явлениями, в том числе вследствие действия непреодолимой силы (пожар, молния, потоп и другие природные явления), а так же вследствие перепадов напряжения в электросети и другими причинами, которые находятся вне контроля производителя.
8. **Гарантийные условия не распространяются:**
 - 8.1. На инструменты, подвергавшиеся вскрытию, ремонту или модификации вне уполномоченного сервисного центра.
 - 8.2. На детали и узлы, имеющие следы естественного износа, такие как: приводные ремни и колеса, угольные щетки, смазка, подшипники, зубчатое зацепление редукторов, резиновые уплотнения, сальники, направляющие ролики, муфты, выключатели, бойки, толкатели, стволы, и т.п.
 - 8.3. На сменные части: патроны, цанги, зажимные гайки и фланцы, фильтры, аккумуляторные батареи, ножи, шлифовальные подошвы, цепи, звездочки, пыльные шины, защитные кожухи, пилки, абразивы, пыльные и абразивные диски, фрезы, сверла, буры и т.п.
 - 8.4. На неисправности, возникшие в результате перегрузки инструмента (как механической, так и электрической), повлекшей выход из строя одновременно двух и более деталей и узлов, таких как: ротора и статора, обеих обмоток статора, ведомой и ведущей шестерни редуктора или других узлов и деталей. К безусловным признакам перегрузки изделия относятся, помимо прочего: появление цветов побежалости, деформация или оплавление деталей и узлов изделия, потемнение или облупление изоляции проводов электродвигателя под воздействием высокой температуры.

Область застосування

Ваш змішувач Stanley SDR1400 призначений для перемішування рідких та порошкоподібних матеріалів: фарб, клеїв, штукатурки, бетонних сумішей, будівельних розчинів і ін. Інструмент призначений для професійного використання.

Інструкції з техніки безпеки

Загальні правила безпеки для електричного інструменту



Попередження! Прочитайте всі попередження та всі інструкції. Невиконання всіх інструкцій, що наведені нижче, може призвести до ураження електричним струмом, пожежі та/або серйозних травм.

Зберігайте це керівництво для отримання інформації в подальшому.

Термін "електричний інструмент" в усіх попередженнях, перерахованих нижче, стосується використовуваних Вами інструментів, що працюють від мережі енергоспоживання або акумуляторів.

1. Безпека робочої зони

- a. **Тримайте робочу зону чистою та добре освітленою.** Неупорядкована та темна робоча зона збільшують імовірність нещасного випадку.
- b. **Не використовуйте електричні інструменти у вибухонебезпечній атмосфері, наприклад, в присутності вогнєнебезпечних рідин, газів та пилу.** Електричні інструменти створюють іскри, що можуть запалити пил або випаровування.
- c. **Тримайте дітей та сторонніх подалі під час використання електричного інструменту.** Відвернення уваги може призвести до втрати контролю.

2. Електрична безпека

- a. **Вилка електричного інструменту має відповідати розетці. Ніколи ніяким чином не змінюйте розетку. Не використовуйте адаптерів із заземленими електричними інструментами.** Немодифіковані вилки та розетки, що підходять до них, зменшують ризик ураження електричним струмом.
- b. **Уникайте контакту тіла з заземленими поверхнями, такими як труби, радіатори, плити та холодильники.** Якщо Ваше тіло заземлене, ризик ураження електричним струмом збільшується.
- c. **Не залишайте електричні інструменти під дощем або в умовах підвищеної вологості.** Вода, що потрапляє в електричний інструмент, підвищує ризик ураження електричним струмом.

- d. **Не використовуйте шнур не за призначенням. Ніколи не використовуйте шнур для переносу, витягнення або відключення електричного інструменту. Тримайте шнур подалі від високих температур, мастила, гострих предметів та рухомих деталей.** Ушкоджений або заплутаний шнур підвищує ризик ураження електричним струмом.
- e. **При використанні електричного інструменту на вулиці, використовуйте подовжуючий шнур, що підходить для використання на вулиці.** Використання шнура, що підходить для вулиці, знижує ризик ураження електричним струмом.
- f. **Якщо неможливо уникнути використання електричного інструменту в умовах підвищеної вологості, використовуйте живлення, захищене пристроєм залишкового струму (RCD).** Використання RCD знижує ризик ураження електричним струмом.

3. Особиста безпека

- a. **Будьте в стані готовності, дивіться, що ви робите, та використовуйте загальний глузд, коли ви працюєте з електричним інструментом.** Не використовуйте електричний інструмент, коли ви втомлені або знаходитесь від впливом наркотичних речовин, алкоголю або лікарських засобів. Втрата уваги при роботі з електричними інструментами може призвести до серйозних травм.
- b. **Використовуйте особисті засоби безпеки.** Засоби безпеки, такі як протипилова маска, неслизькі безпечні чоботи, твердий капелюх та засоби захисту слухового апарату, які використані для відповідних умов, зменшують імовірність особистих травм.
- c. **Уникнення випадкового запуску. Переконайтесь, що вимикач знаходиться в позиції Вилк. перед підключенням до джерела живлення та/або акумулятора, переміщенням або перенесенням пристрою.** Перенесення інструменту, тримаючи палець на вимикачі, або підключення живлення з перемикачем в позиції Вкл. може призвести до нещасного випадку.
- d. **Зніміть всі налаштувальні ключі або гайкові ключі перед тим, як вмикати електричний інструмент.** Гайковий ключ, що залишився прикріпленим до якоїсь деталі, що обертається, може призвести до травм.
- e. **Не перенапружуйтеся. Завжди підтримуйте правильну постановку ніг та рівновагу.** Це дозволяє тримати електричний інструмент під кращим контролем у несподіваних ситуаціях.
- f. **Вдягайтеся відповідним чином. Не вдягайте вільний одяг чи прикраси. Тримайте ваше волосся, одяг та рукавички подалі від рухомих деталей. Вільний одяг, прикраси або довге волосся може зачепитися за рухомі деталі.**

g. Якщо передбачені пристрої для підключення до засобів виділення та збирання пилу, переконайтеся, що вони правильно підключені та використовуються. Використання таких пристроїв зменшує ризик виникнення небезпечних ситуацій, що пов'язані з потраплянням пилу.

4. Використання та догляд за електричним інструментом

a. Не використовуйте надмірні зусилля при роботі з електричним інструментом. Використовуйте відповідний електричний інструмент для вашої задачі. Правильно обраний електричний інструмент виконає завдання краще та безпечніше за умов, для яких він був розроблений.

b. Не використовуйте інструмент, вмикач якого не вмикає та не вимикає його. Будь-який електричний інструмент, який не може управлятися вмикачем, є небезпечним і має бути відремонтований.

c. Відключіть вилку від джерела живлення перед тим, як робити будь-які налаштування, зміну додаткового обладнання та перед зберіганням інструменту. Такі заходи безпеки знижують.

d. Бережіть вимкнені електричні інструменти від дітей та не дозволяйте особам, що не знайомі з електричним інструментом або цими інструкціями, використовувати електричний інструмент. Електричні інструменти є небезпечними, якщо вони використовуються некваліфікованими користувачами.

e. Технічне обслуговування електричних інструментів. Перевіряйте на відсутність вирівнювання або заїдання рухомих деталей, ушкоджених частин та інших умов, що можуть впливати на роботу електричного інструменту. Якщо є ушкодження, відремонтуйте інструмент перед використанням. Багато нещасних випадків є результатом того, що інструмент не пройшов відповідного технічного обслуговування.

f. Тримайте ріжучі інструменти гострими та чистими. Правильно доглянуті ріжучі інструменти з гострими ріжучими кромокками мають меншу ймовірність заїдання, та ними легше керувати.

g. Використовуйте електричний інструмент, додаткові інструменти та деталі інструменту тощо у відповідності до цих інструкцій та відповідно до даного типу механізованих інструментів, зважаючи на умови використання та роботу, яка має бути виконана. Використання електричних інструментів не за призначенням може призвести до виникнення небезпечних ситуацій.

5. Обслуговування

a. Надавайте Ваш електричний інструмент для обслуговування кваліфікованим спеціалістом з ремонту та використовуйте тільки ідентичні замініні деталі. Це забезпечить безпеку електричного пристрою, що обслуговується.

Особливі правила безпеки під час роботи з електричним змішувачем

- ◆ Не намагайтеся закріпити змішувач в лещатах або зафіксувати його на робочому столі, щоб використовувати як стаціонарний інструмент. Це може призвести до отримання серйозних травм.
- ◆ Якщо насадку, що її використовують разом із інструментом, "клинить", терміново відключіть інструмент від джерела живлення. "Клинення" може виникати, якщо інструмент переважано або якщо насадка почала деформуватись в середовищі, яке перемішують.
- ◆ Під час роботи з цим інструментом слід одягати захисний одяг, маску для захисту від пилу та захисні рукавички. Використання інструменту може супроводжуватись утворенням пилу або розбризкуванням матеріалу.
- ◆ Управляти інструментом завжди слід тримаючи його обома руками за рукоятки. Тримайте рукоятки міцно, впевніться в тому, що Ваші ноги безпечно розташовані та надійні, рівні та сухі поверхні. Втрата керування інструментом може призвести до травмування оператора.
- ◆ Не використовуйте інструмент для перемішування легкозаймистих речовин, або речовин, що можуть вибухнути (напр., розчинники). Робота інструменту може супроводжуватись утворенням іскор, які здатні підпалити легкозаймисті випари.
- ◆ Цей інструмент слід використовувати тільки всередині приміщення. Дія вологи та дощу може пошкодити інструмент або призвести до ураження оператора електричним струмом, якщо матеріал, що його перемішують, потрапить всередину інструменту, або якщо інструмент паде в цей матеріал. Використовуйте інструмент після його перевірки професійним електриком. Якщо матеріал, який перемішують, або волога потраплять всередину інструменту, вони можуть пошкодити інструмент або спричинити ураження оператора електричним струмом.
- ◆ Не працюйте з речовинами, які небезпечні для здоров'я. Небезпечною може виявитись робота з досить багатьма матеріалами.
- ◆ Намагайтеся не вдихати речовини, які є небезпечними для здоров'я, та уникайте контакту таких речовин зі шкірою. Виконуйте інструкції, що їх надають виробники цих речовин, а також використовуйте засоби індивідуального захисту.

- ◆ Перед тим, як вийняти інструмент з матеріалу, який перемішували, та опустити інструмент, дочекайтеся його повної зупинки. В іншому випадку лопатка може в чомусь застрягти або перемішуваний матеріал може розлітатися в усі боки. Це може призвести до втрати керування інструментом.

Залишкові ризики.

Незважаючи на виконання всіх відповідних правил техніки безпеки та використання пристроїв безпеки, неможливо уникнути деяких залишкових ризиків. Сюди належать:

- ◆ Травми через контакт з деталями, що рухаються/обертаються.
- ◆ Порушення слуху.
- ◆ Ризик отримання травми під час заміни певних частин інструменту, або насадок.
- ◆ Загроза для здоров'я, яка виникає під час вдихання деревної тирси, особливо тирси дуба, бука або ДВП.
- ◆ Ризик отримання травм, пов'язаний з довготривалим використанням інструменту. Якщо Ви використовуєте будь-які інструменти досить довго, робіть періодичні перерви.

Безпека інших осіб

Використання цього інструменту особами, які мають фізичні, сенсорні або розумові обмеження, а також недостатній рівень досвіду та знань (в тому числі використання інструменту дітьми) не допускається, окрім випадків, коли такі особи працюють під наглядом особи, яка є відповідальною за їх безпеку, або коли ця відповідальна особа проінструктувала їх щодо особливостей використання інструменту.

Не слід дозволяти дітям гратися з інструментом.

Позначки на корпусі інструменту

Окрім коду, що позначає дату випуску, на корпусі інструменту можуть знаходитись наступні позначки:



Попередження! Щоб зменшити ризик травм, користувач повинен прочитати керівництво з експлуатації.



Використання для захисту очей



Використання захисту слуху



Використовуйте захисну маску



Під час виконання маніпуляцій з лопатями одягайте захисні рукавички.

друкується на корпусі.

Дата коду (10), який також включає рік виготовлення, друкується на корпусі.

Приклад:

2015 XX ZY

Рік виготовлення

Електрична безпека



Цей інструмент має подвійну ізоляцію; тому заземлення не є необхідним. Завжди перевіряйте, що джерело живлення відповідає напрузі, яка вказана на табличці з паспортними даними.

- ◆ Якщо шнур живлення пошкоджений, його необхідно замінити у виробника або в офіційному сервісному центрі STANLEY для уникнення небезпеки.

Падіння напруги

“Викиди струму” під час включення виробу призводять до короткочасних падінь напруги. За певних характеристик системи живлення це може впливати на інше обладнання. Виникнення пошкоджень малоімовірно, якщо повний опір системи живлення менший за 0,34 ом.

Використання кабелю-подовжувача

- ◆ Завжди використовуйте кабель-подовжувач дозволеного типу, який підходить до силового входу цього інструмента (див. технічні характеристики виробу). Перед тим, як використовувати подовжувач, огляньте його та впевніться в тому, що пошкодження, ознаки зношування та того, що подовжувач використовується упродовж довгого терміну, відсутні. Пошкоджений або дефектний кабель-подовжувач слід замінити. Якщо використовуєте кабель на барабані, завжди розмотуйте його повністю. Використання кабелів-подовжувачів, які не підходять під силовий вхід інструменту, або які є пошкодженими чи дефектними, може призвести до виникнення пожежі або ураження оператора електричним струмом.

Основні елементи виробу

Інструмент має наступні елементи (всі перераховані або їх частину):

1. Вентиляційні отвори
2. Рукоятка (ліва та права)
3. Патрон
4. Шпindelь
5. Мішалка
6. Кнопка фіксації
7. Вмикач/регулятор швидкості
8. Кабель живлення, оснащений штепселем
9. Ключ для монтажу на 22 мм (x 2)

Збирання інструменту

Розпакування

- ◆ Розпакуйте всі частини виробу та покладіть їх на стійку горизонтальну поверхню.
- ◆ Видаліть з робочого місця всі пакувальні матеріали та пристрої, що їх використовували під час перевезення (якщо такі є).
- ◆ Впевніться в тому, що Ви отримали всі частини виробу, і що ці частини не пошкоджені. Якщо Ви побачили, що деякі частини відсутні, або мають пошкодження, не використовуйте виріб, поки не зв'яжетеся з його продавцем. Використання некомплектного або пошкодженого інструменту може бути небезпечним як для оператора, так і для самого виробу.
- ◆ Впевніться в тому, що у Вас є всі приладдя та інструменти, необхідні для збирання виробу та його експлуатації. Ця вимога поширюється і на засоби індивідуального захисту.

Попередження! Під час розроблення конструкцій інструменту та елементів його упаковки можливість їх потраплення до рук дітей не розглядалася! Діти не повинні гратися з платиковими пакетами, листами та деталями малих розмірів! Існує небезпека того, що ці предмети можуть перекрити шляхи дихання та спричинити асфікцію!

Монтаж

Попередження! Перед початком експлуатації інструмент має бути зібраний повністю! Якщо інструмент зібрано не повністю, або укомплектовано пошкодженими частинами, не використовуйте його! Виконуйте покроково інструкцію по збиранню інструмента, для того, щоб полегшити цю роботу, звертайтеся до рисунків, які надають візуальну інформацію щодо процесу збирання! Не приєднуйте виріб до джерела живлення, поки його не зібрано повністю!

Мішалка

Попередження! Існують мішалки різних типів, різної геометрії та діаметру. Завжди використовуйте мішалку, яка відповідає поставленій задачі! Під час придбання та використання мішалки звертайте увагу на технічні характеристики інструменту (див. розділ "Технічні характеристики")! Під час використання інструмент нагрівається! Поводьтесь із ним з обережністю! Для того, щоб уникнути таких травм, як опіки та порізи, під час роботи з інструментом використовуйте захисні рукавиці.

Приєднання елементів виробу (рис. А, рис. В, рис. С, рис. D)

- ◆ З'єднайте мішалку (5) зі шпинделем (4), для чого прикрутіть мішалку (5) до нижнього кінця шпинделя (4), повертаючи її за годинниковою стрілкою (рис. А).
- ◆ За допомогою одного з ключів (9) зафіксуйте приварну гайку шпинделя (4) і прикрутіть, обертаючи за годинниковою стрілкою, мішалку (5); для забезпечення надійності з'єднання скористайтесь другим ключем (9), захопивши ним приварну гайку (рис. В).
- ◆ Примітка! Перед тим, як використовувати ключі, спочатку затягніть з'єднання вручну.
- ◆ З'єднайте шпиндель (4) з патроном (3), для чого вкрутіть кінець шпинделя з приварною гайкою за годинниковою стрілкою в патрон (рис. С).
- ◆ За допомогою одного з ключів (9) зафіксуйте приварну гайку патрона (3) і прикрутіть, обертаючи за годинниковою стрілкою, шпиндель (5); для забезпечення надійності з'єднання скористайтесь другим ключем (9), захопивши ним приварну гайку (рис. D).

Примітка! Перед тим, як використовувати ключі, спочатку затягніть з'єднання вручну.

Від'єднання та заміна елементів виробу (рис. Е, рис. F)

- ◆ За допомогою одного з ключів (9) зафіксуйте патрон (3) і, захопивши приварну гайку іншим ключем (9), послабте з'єднання патрона з шпинделем (4); повертайте шпиндель проти годинникової стрілки (рис. Е).
- ◆ Повертайте приварну гайку проти годинникової стрілки (рис. F), після чого від'єднайте шпиндель (4) від патрона (3) (рис. F).

Мішалка (рис. G, рис. H)

- ◆ За допомогою одного з ключів (9) зафіксуйте шпиндель (3) і, захопивши приварну гайку іншим ключем (9), послабте з'єднання шпинделя з мішалкою (5); повертайте мішалку проти годинникової стрілки (рис. G).
- ◆ Повертайте приварну гайку проти годинникової стрілки (рис. H), після чого від'єднайте мішалку (5) від шпинделя (4) (рис. H).
- ◆ Якщо це потрібно, приєднайте нові шпиндель/мішалку.

Використання

Вмикач/регулятор швидкості (рис. I)

Інструмент може працювати в "тимчасовому" і "постійному" режимах.

“Тимчасовий” режим

- ◆ Для того, щоб увімкнути інструмент, натисніть на вмикач/регулятор швидкості (7) (рис. І).
- ◆ Для того, щоб вимкнути інструмент, відпустіть вмикач/перемикач режиму роботи (7) (рис. І).

“Постійний” режим

- ◆ Для того, щоб увімкнути інструмент, натисніть на вмикач/регулятор швидкості (7) (рис. І, крок 1); утримуйте його в такому положенні.
- ◆ Натисніть кнопку фіксації (6) і зафіксуйте з її допомогою перемикач режиму роботи (7) (рис. І, крок 2).
- ◆ Відпустіть кнопку фіксації (6) та вмикач (7). Тепер вмикач (7) зафіксовано в положенні, яке забезпечує безперервну роботу інструменту.
- ◆ Для того, щоб вимкнути інструмент, натисніть вмикач/регулятор швидкості (7) і відпустіть його.

Загальні правила експлуатації інструменту

- ◆ Кожний раз перед використанням інструменту перевіряйте, чи не пошкоджено сам інструмент, кабель живлення та насадки. Не використовуйте інструмент, якщо його пошкоджено, або якщо він має виразні ознаки зношування.
- ◆ Зайвий раз перевірте, чи надійно закріплено насадки.
- ◆ Під час роботи тримайте інструмент обов'язково за рукоятки. Для того, щоб використання інструменту було безпечним, рукоятки мають бути сухими.
- ◆ Слідкуйте за тим, щоб вентиляційні отвори завжди були вільні та чисті. За необхідності причистіть їх м'якою щіткою. Засміченість вентиляційних отворів може призвести до перегрівання інструменту та його виходу з ладу.
- ◆ Якщо під час роботи Вам заважає інша особа, що знаходиться в робочій зоні, негайно вимкніть інструмент. Перед опусканням інструменту обов'язково почекайте, поки він не зупиниться повністю.
- ◆ Не допускайте перевтомлення. Для того, щоб Ви могли належним чином зосереджуватись на роботі і управляти інструментом, періодично робіть перерви.

Перемішування (рис. К)

Попередження! Під час роботи інструмента утворюватиметься пил! Пил деяких типів є легкозаймистим та вибухонебезпечним! Під час роботи в робочій зоні не можна палити, використовувати нагрівальні прилади та відкрити полум'я! Завжди використовуйте маску, яка захищає від шкідливої дії дрібного пилу! Якщо матеріал, який перемішують, надто густий, змішувач може зупинитися під час роботи! Вимкніть інструмент, підійміть його, та

перевірте стан матеріалу перед тим, як знов запускати інструмент! Блокування змішувача може призвести до перегрівання двигуна. Під час роботи тримайте інструмент міцно. Не допускайте торкання мішалкою стінок ємності! Це може призвести до пошкодження як мішалки, так і ємності!

- ◆ Тримайте інструмент обома руками за рукоятки (2), вставте мішалку (5) в ємність з матеріалом, який слід перемішати (рис. М).
- ◆ Акуратно натисніть тригерний вмикач/регулятор швидкості і почніть перемішування на малій швидкості.
- ◆ Перемішуйте мішалку в матеріалі доти, поки він не буде перемішаний рівномірно і повністю.
- ◆ Вимкніть інструмент. Перед тим, як вийняти мішалку з перемішаного матеріалу, почекайте, поки вона повністю не зупиниться.

Попередження: Якщо мішалка застрягла в перемішувачу матеріалу, вимкніть інструмент, почекайте, поки він повністю не зупиниться і від'єднайте його від джерела живлення. Тільки після цього виймайте мішалку з матеріалу.

Після використання

Попередження: Перед тим, як проводити огляд інструменту, а також роботи з його обслуговування та очищення, обов'язково вимкніть інструмент, від'єднайте його від джерела живлення та почекайте, поки він не охолоне!

Очищення інструменту

- ◆ Інструмент слід тримати в чистоті. Після роботи та перед тим, як покласти інструмент на зберігання, слід видалити забруднення.
- ◆ Періодично інструменту безпечною, а термін його використання - довгим.
- ◆ Перед кожним використанням інструменту перевіряйте, чи не зношені певні його елементи, та чи не пошкоджені вони. Якщо Ви знайшли, що певні вузли інструменту зносились чи зламались, не використовуйте інструмент.

Попередження: Роботи з ремонту та обслуговування виконуйте виключно згідно з цими інструкціями!

Всі роботи, що їх описано далі, має виконувати кваліфікований спеціаліст!

- ◆ Очистіть виріб сухою тканиною. Для очищення важкодоступних місць використовуйте щітку.
- ◆ Після кожного використання інструменту з особливою ретельністю прочищайте тканиною та щіткою вентиляційні отвори (1).
- ◆ Якщо бруд не можна видалити інакше, використовуйте струм повітря під тиском (не більше 3 бар).

Примітка: Для очищення виробу не слід використовувати хімічні, лужні, абразивні та інші агресивні очищувачі, оскільки вони можуть пошкодити поверхні інструменту.

- ◆ Огляньте інструмент з метою виявлення елементів, які пошкоджені або зношені. Перед тим, як знов використовувати виріб, належним чином замініть зношені частини, або зв'яжіться з уповноваженим сервісним центром для проведення ремонту.

Ремонт

Ремонт тих чи інших частин інструменту силами споживача не передбачений. Для проведення перевірки та ремонту цих частин слід зв'язатись з уповноваженим сервісним центром або зі спеціалістом, що має відповідну кваліфікацію.

Зберігання

- ◆ Вимкніть інструмент та від'єднайте його від джерела живлення.
- ◆ Очистіть інструмент, як то описано вище.
- ◆ Інструмент та насадки слід зберігати в темному, сухому, добре вентильованому місці, яке не промерзає.
- ◆ Це місце обов'язково має бути недоступним для дітей. Найкращою температурою зберігання інструменту є температура від 10 °C до 30 °C.
- ◆ Для того, щоб під час зберігання виріб був захищений від пилу, ми рекомендуємо зберігати його в оригінальній упаковці, або накривати тканиною чи вміщувати в чохол.

Перевезення

- ◆ Вимкніть інструмент та від'єднайте його від джерела живлення.
- ◆ Приєднайте, якщо це можливо, елементи, які забезпечують захист виробу під час транспортування.
- ◆ Під час переміщення інструменту завжди тримайте його за рукоятки (2).
- ◆ Захищайте інструмент від сильних поштовхів або вібрації, якими може супроводжуватись перевезення виробу на автомобілі.
- ◆ Розміщувати інструмент слід так, щоб він не зісковзнув та не впав.

Усунення несправностей

Несправності інструменту досить часто бувають викликані чинниками, які може визначити сам користувач. Тому, якщо з'явилась несправність, слід перевірити, чи не викликана вона причинами, наведеними в цьому розділі. У більшості випадків проблему можна вирішити досить швидко.

Несправність	Можлива причина	Спосіб усунення
Інструмент не запускається	Відсутнє приєднання до джерела живлення	Приєднати інструмент до джерела живлення
	Пошкоджено кабель живлення або штепсель	Перевірити стан цих елементів, задіявши спеціаліста-електрика
	Інші пошкодження електричної системи виробу	Перевірити стан системи, задіявши спеціаліста-електрика
Інструмент не працює з повною потужністю	Кабель-подовжувач не підходить для цього інструменту	Використовувати кабель-подовжувач з потрібними характеристиками
	Джерело живлення (напр., генератор) утворює надто низьку напругу в мережі	Приєднати інструмент до джерела живлення з потрібними характеристиками
	Заблоковано вентиляційні отвори	Прочистити вентиляційні отвори
Незадовільний результат операції перемішування	Мішалка зносилася	Приєднати нову мішалку
	Мішалка не підходить для матеріалу, який слід перемішувати	Використовувати мішалку з потрібними характеристиками.

Технічне обслуговування

Ваш інструмент призначений для роботи протягом довгого часу з мінімальним обслуговуванням. Постійна задовільна робота залежить від правильного догляду за інструментом та регулярної очистки.

Попередження! Перед тим як виконувати операції обслуговування та очистки переконайтесь, що інструмент вимкнений та відключений від мережі живлення, а пильне полотно зупинене.

- ◆ Регулярно очищуйте вентиляційний отвір за допомогою м'якої щітки або сухої ганчірки.
- ◆ Регулярно очищуйте корпус мотору вологою ганчіркою. Не використовуйте абразивні засоби та очищаючі засоби, що містять розчинники. Захищайте інструмент від потрапляння будь-якої рідини всередину та ніколи не занурюйте деталі інструменту в рідину

Захист навколишнього середовища



Окреме збирання. Цей продукт не можна викидати разом зі звичайним побутовим сміттям.

Якщо яось ви вирішите, що ваш виріб фірми STANLEY має бути замінено, або він вам більше не потрібний, не викидайте його на смітник побутового сміття. Зробіть цей виріб доступним для спеціального збирання.



Окремий збір використаних виробів та упаковки дозволяє повторно переробляти та використовувати матеріали. Переробка повторно використаних матеріалів допомагає попередити забруднення навколишнього середовища та зменшує потребу в сировині.

Місцеві законодавчі акти можуть передбачати окремий збір електричного обладнання в муніципальних місцях для збору сміття або продавцями при покупці нового обладнання.

Компанія STANLEY має можливість для збору та переробки продуктів власного виробництва після закінчення їхнього терміну служби. Щоб скористатися цією послугою, поверніть виріб компанії в офіційний сервісний центр, які збирають відпрацьовані продукти за наш рахунок.

Ви можете знайти місцезнаходження найближчого до Вас сервісного центру, зв'язавшись з місцевим офісом компанії STANLEY за адресою, вказаною в цих інструкціях. Крім того, список офіційних сервісних центрів компанії STANLEY з усіма подробицями нашого післяпродажного обслуговування та контактною інформацією міститься в Інтернеті за адресою: www.2helpU.com

Пояснення

- ◆ Постійне удосконалення наших виробів є одним із принципів компанії «STANLEY», тому ми залишаємо за собою право вносити зміни в конструкцію виробу без попереднього повідомлення про це.
- ◆ Базовий виріб та допоміжні/змінні елементи можуть мати різну конструкцію під пас постачання продукції в різні країни.
- ◆ Характеристики виробу також можуть бути відмінними в різних країнах.
- ◆ Повна лінійка готових виробів в деяких країнах може бути недоступною. З питань асортименту продукції звертайтеся до Вашого місцевого представництва компанії «STANLEY».

Технічні дані

		SDR1400
Вхідна напруга	Взмінн. струму	220-240
Вхідна потужність	Вт	1400
Частота	Гц	50/60
Швидкість обертання в режимі без навантаження	об. / хв.	0-480/0-800
Діаметр мішалки	мм	Ø 140
Нарізка для з'єднання	мм	M14
Регулювання швидкості		TAK
Максимальний об'єм, який можна перемішувати	л	120
Вага	кг	3,5

Інформація стосовно обслуговування

Компанія «STANLEY» має мережу власних сервісних центрів та уповноважених органів з обслуговування інструментів. Всі сервісні організації компанії «STANLEY» укомплектовані кваліфікованим персоналом, який надає покупцям послуги з ефективного та надійного обслуговування електроінструменту. Для того, щоб отримати додаткову інформацію про наші уповноважені сервісні центри, а також, якщо Вам потрібна порада з технічних питань, ремонт або виготовлені нашою компанією запасні частини, зв'яжіться з найближчим представництвом компанії «STANLEY».

STANLEY

Гарантійні умови

Шановний покупець!

1. Вітаємо Вас за покупкою високоякісного виробу STANLEY і висловлюємо вдячність за Ваш вибір.
2. При покупці виробу вимагайте перевірки його комплектності і справності у Вашій присутності, інструкцію за експлуатації та заповнений гарантійний талон українською мовою
В гарантійному талоні повинні бути внесені: модель, дата продажу, серійний номер, дата виробництва інструменту; назва, печатка і підпис торгової організації. За відсутності у Вас правильно заповненого гарантійного талону, а також при невідповідності зазначених у ньому даних ми будемо змушені відхилити Ваші претензії щодо якості даного виробу.
3. Щоб уникнути непорозумінь, переконливо просимо Вас перед початком роботи з виробом уважно ознайомитися з інструкцією з його експлуатації. Правовою основою справних гарантійних умов є чинне Законодавство. Гарантійний термін на даний виріб складає 24 місяці і обчислюється з дня продажу. У разі усунення недоліків виробу, гарантійний строк продовжується на період його перебування в ремонті. Термін служби виробу становить 5 років з дня продажу.
4. У разі виникнення будь-яких проблем у процесі експлуатації виробу рекомендуємо Вам звертатися тільки в уповноважений сервісний центр STANLEY, адреси та телефони яких Ви зможете знайти в гарантійному талоні, на сайті www.2helpU.com або дізнатися в магазині. Наші сервісні станції - це не тільки кваліфікований ремонт, але і широкий асортимент запчастин і аксесуарів.
5. Виробник рекомендує проводити періодичну перевірку і технічне обслуговування виробу в уповноважених сервісних центрах.
6. Наші гарантійні зобов'язання поширюються тільки на несправності, виявлені протягом гарантійного терміну і викликані дефектами виробництва та \ або матеріалів.
7. Гарантійні умови не поширюються на несправності виробу, що виникли в результаті:
 - 7.1 Недотримання користувачем приписів інструкції з експлуатації виробу, застосування виробу не за призначенням, неправильного зберігання, використання приладдя, витратних матеріалів і запчастин, що не передбачені виробником.
 - 7.2 Механічного пошкодження (відколи, тріщини і руйнування) внутрішніх і зовнішніх деталей виробу, основних і допоміжних рукояток, мережевого кабелю, що викликані зовнішнім ударним або будь-яким іншим впливом

- 7.3 Потрапляння у вентиляційні отвори та проникнення всередину виробу сторонніх предметів, матеріалів або речовин, що не є відходами, які супроводжують застосування виробу за призначенням, такими як: стружка, тирса, пісок, та ін.
- 7.4 Впливу на виріб несприятливих атмосферних і інших зовнішніх факторів, таких як дощ, сніг, підвищена вологість, нагрівання, агресивні середовища, невідповідність параметрів електромережі, що зазначені на інструменті.
- 7.5 Стихийного лиха. Пошкодження або втрати виробу, що пов'язані з непередбаченими лихами, стихійними явищами, у тому числі внаслідок дії непереборної сили (пожежа, блискавка, потоп і інші природні явища), а також внаслідок перепадів напруги в електромережі та іншими причинами, які знаходяться поза контролем виробника.
8. Гарантійні умови не поширюються:
 - 8.1 На інструменти, що піддавались розкриттю, ремонту або модифікації поза уповноваженим сервісним центром.
 - 8.2 На деталі, вузли та матеріали, що мають сліди природного зносу, такі як: приводні ремені і колеса, вигубні щітки, мастило, підшипники, зубчасті зчеплення редукторів, гумові ущільнення, сальники, направляючі ролики, муфти, вимикачі, бойки, штовхачі, стовпи тощо.
 - 8.3. На змінні частини: патрони, цанги, затискні гайки і фланці, фільтри, акумуляторні батареї, ножи, шліфувальні підшови, ланцюги, зірочки, пильні шини, захисні кожухи, пилки, абразиви, пильні і абразивні диски, фрези, свердла, бури тощо
 - 8.4. На несправності, що виникли в результаті перевантаження інструменту (як механічного, так і електричного), що спричинили вихід з ладу одночасно двох і більше деталей і вузлів, таких як: ротора і статора, обох обмоток статора, веденої і ведучої шестерень редуктора або інших вузлів і деталей. До безумовних ознак перевантаження виробу відносяться, крім інших: поява кольорів мінливості, деформація або оплавлення деталей і вузлів виробу, потемніння або обуглювання ізоляції проводів електродвигуна під впливом високої температури.



0601

Виробник:
"Stanley Black & Decker Deutschland GmbH" Black-&-Decker Str.40, D-65510 Idstein, Німеччина

Kullanım amacı

Stanley SDR1400 karıştırıcı, boyalar, tutkal/yapıştırıcı, sıva, mastar ve harç gibi sıvı ve toz malzemelerin karıştırılması için tasarlanmıştır. Bu alet profesyonel kullanım içindir.

Güvenlik talimatları

Genel elektrikli alet güvenlik uyarıları

Uyarı! Bütün güvenlik uyarılarını ve talimatlarını mutlaka okuyun. Aşağıda yer alan uyarılar ve talimatların herhangi birisine uyulmaması elektrik çarpması, yangın ve/veya ciddi yaralanma riskine neden olabilir.

Bütün uyarı ve güvenlik talimatlarını ilerde bakmak üzere saklayın.

Aşağıda yer alan uyarılardaki «elektrikli alet» terimi şebeke elektrifiyle (kablolu) veya akü/pille (şarjlı) çalışan elektrikli aletinizi ifade etmektedir.

1. Çalışma alanının güvenliği

- Çalışma alanını temiz ve aydınlık tutun.** Karışık veya karanlık alanlar kazaya davetiye çıkarır.
- Elektrikli aletleri, yanıcı sıvılar, gazlar ve tozların bulunduğu yerler gibi yanıcı ortamlarda çalıştırmayın.** Elektrikli aletler, toz veya dumanları ateşleyebilecek kıvılcımlar çıkarır.
- Bir elektrikli aleti çalıştırırken çocuklardan ve etraftaki kişilerden uzak tutun. Dikkatinizi dağıtıcı şeyler kontrolü kaybetmenize neden olabilir.**

2. Elektrik güvenliği

- Elektrikli aletlerin fişleri prizlere uygun olmalıdır. Fiş üzerinde kesinlikle hiçbir değişiklik yapmayın. Topraklı elektrikli aletlerde hiçbir adaptör fişi kullanmayın.** Değiştirilmemiş fişler ve uygun prizler elektrik çarpması riskini azaltacaktır.
- Borular, radyatörler, ocaklar ve buzdolapları gibi topraklanmamış yüzeylerle vücut temasından kaçının.** Vücudunuzun topraklanması halinde yüksek bir elektrik çarpması riski vardır.
- Elektrikli aletleri yağmura maruz bırakmayın veya ıslatmayın.** Elektrikli alete su girmesi elektrik çarpması riskini arttıracaktır.
- Elektrik kablosunu uygun olmayan amaçlarla kullanmayın. Elektrikli aleti kesinlikle kablodan tutarak taşımayın, çekmeyin veya prizden çıkartmayın. Kabloyu sıcaktan, yağdan, keskin kenarlardan veya hareketli parçalardan uzak tutun. Hasarlı veya dolaşmış kablolar elektrik çarpması riskini artırır.**
- Elektrikli bir aleti açık havada çalıştırıyorsanız, açık havada kullanıma uygun bir kablolu kullanın.** Açık havada kullanıma uygun bir kablolu kullanılması elektrik çarpması riskini azaltır.
- Eğer bir elektrikli aletin nemli bir bölgede**

çalıştırılması zorunluysa, bir artık akım aygıtı (RCD) korumalı bir kaynak kullanın. Bir RCD kullanılması elektrik şoku riskini azaltır.

3. Kişisel güvenlik

- Elektrikli bir aleti kullanırken her zaman dikkatli olun, yaptığınız işe yoğunlaşın ve sağduyulu davranın. Elektrikli bir aleti yorgunken veya ilaç ya da alkolün etkisi altındayken kullanmayın.** Elektrikli aletleri kullanırken bir anlık dikkatsizlik ciddi kişisel yaralanmayla sonuçlanabilir.
 - Kişisel koruyucu ekipmanları mutlaka kullanın. Daima koruyucu gözlük takın.** Koşullara uygun toz maskesi, kaymayan güvenlik ayakkabıları, baret veya kulaklık gibi koruyucu donanımların kullanılması kişisel yaralanmaları azaltacaktır.
 - İstem dışı çalıştırılmasını önleyin. Aleti güç kaynağına ve/veya aküye bağlamadan, yerden kaldırmadan veya taşımadan önce düğmenin kapalı konumunda olduğundan emin olun.** Aleti, parmağınız düğme üzerinde bulunacak şekilde taşımak veya açık konumdaki elektrikli aletleri elektrik şebekesine bağlamak kazaya davetiye çıkarır.
 - Elektrikli aleti açmadan önce tüm ayarlama anahtarlarını çıkartın.** Elektrikli aletin hareketli bir parçasına takılı kalmış bir anahtar kişisel yaralanmaya neden olabilir.
 - Ulaşmakta zorlandığınız yerlerde kullanmayın. Daima sağlam ve dengeli basın.** Bu, beklenmedik durumlarda elektrikli aletin daha iyi kontrol edilmesine olanak tanır.
 - Uygun şekilde giyinin. Bol elbiseler giymeyin ve takı takmayın. Saçınızı, elbiselerinizi ve eldivenlerinizi hareketli parçalardan uzak tutun.** Bol elbiseler ve takılar veya uzun saç hareketli parçalara takılabilir.
 - Eğer kullandığımız üründe toz emme ve toplama özellikleri olan ataşmanlar varsa bunların bağlı olduğundan ve doğru şekilde kullanıldığınından emin olun.** Bu toz toplama ataşmanların kullanılması tozla ilgili tehlikeleri azaltabilir.
- #### 4. Elektrikli aletlerin kullanımı ve bakımı
- Elektrikli aleti zorlamayın. Uygulanız için doğru elektrikli aleti kullanın.** Doğru elektrikli alet, belirlendiği kapasite ayarında kullanıldığında daha iyi ve güvenli çalışacaktır.
 - Düğme açmıyor ve kapatmıyorsa elektrikli aleti kullanmayın.** Düğmeyle kontrol edilemeyen tüm elektrikli aletler tehlikelidir ve tamir edilmesi gerekmektedir.
 - Herhangi bir ayarlama, aksesuar değişimi veya elektrikli aletlerin saklanması öncesinde fişi güç kaynağından çekin ve/veya aküyü elektrikli aletten ayırın.** Bu tür önleyici güvenlik tedbirleri aletin istem dışı olarak çalıştırılması riskini azaltacaktır.
 - Elektrikli aleti, çocukların ulaşamayacağı**

- yerlerde saklayın ve elektrikli aleti tanımayan veya bu talimatları bilmeyen kişilerin elektrikli aleti kullanımına izin vermeyin. Elektrikli aletler, eğitimsiz kullanıcıların elinde tehlikelidir.
- e. Elektrikli aletleri iyi durumda muhafaza edin. Hareketli parçalardaki hizalama hatalarını ve tutuklukları, parçalardaki kırılmalar ve elektrikli aletin çalışmasını etkileyebilecek tüm diğer koşulları kontrol edin. Hasarlı ise, elektrikli aleti kullanmadan önce tamir ettirin. Kazaların çoğu, elektrikli aletlerin bakımının yeterli şekilde yapılmamasından kaynaklanır.
- f. Kesim aletlerini keskin ve temiz tutun. Bakımı uygun şekilde yapılmış keskin kesim uçlu kesim aletlerinin sıkışma ihtimali daha düşüktür ve kontrol edilmesi daha kolaydır.
- g. Elektrikli aleti, aksesuarlarını ve aletin diğer parçalarını kullanırken bu talimatlara mutlaka uyun ve çalışma ortamının koşullarını ve yapılacak işin ne olduğunu göz önünde bulundurun. Elektrikli aletin öngörülen işlemler dışındaki işlemler için kullanılması tehlikeli durumlara neden olabilir.
5. Servis
- a. Elektrikli aletinizi, sadece orijinal yedek parçaları kullanıldığı yetkili servise tamir ettirin. Bu, elektrikli aletin güvenliğinin muhafaza edilmesini sağlayacaktır.

Karıştırıcılar için ek güvenlik talimatları

- ◆ Aleti sabit bir alet olarak kullanmak üzere bir mendeneye veya çalışma tezgahı üzerinde asla sabitlemeyin. Ciddi yaralanmaya neden olabilir.
- ◆ Karıştırıcı ucu sıkıştığında, aleti derhal kapatın. Geri tepmeye yol açabilen yüksek torklu sekmelere hazırlıklı olun. Alet aşırı yüklendiğinde veya malzeme içinde bükülmüş hale gelirse karıştırıcı ucu sıkışabilir.
- ◆ Bu aleti kullanırken koruyucu giysiler giyin ve toz maskesi ve koruyucu eldiven takın. Bu aletin kullanımı sırasında toz veya sıçrama oluşabilir.
- ◆ Aleti daima iki elinizle tutarak çalıştırın. Aletin kollarını sağlam bir şekilde tutun ve ayaklarınızın sabit, düz ve kuru zeminde güvenli olduğundan emin olun. Alet üzerinde kontrol kaybı kişisel yaralanmalara neden olabilir.
- ◆ Bu aleti, yüksek derecede yanıcı veya çözücüler gibi potansiyel patlayıcı olan maddeleri işlemek için kullanmayınız. Bu alet, kullanım sırasında dumanları ateşleyebilecek kıvılcımlar çıkarır.
- ◆ Bu aleti sadece iç mekanlarda kullanın. Nem ve yağmur alete zarar verebilir. Karıştırılan malzeme aletin içine girmesi veya alet karıştırılan malzeme içine düşmesi güç kaynağından elektrik çarpmasına yol açabilir. Aleti profesyonel bir elektrikçi tarafından kontrol ettirin. Alet içine karıştırılan malzeme ve nemin girmesi alete zarar verebilir veya elektrik çarpmasına yol açabilir.
- ◆ Sağlığa zarar veren herhangi bir madde ile çalışmayın.

Birçok malzeme işlem sırasında zararlıdır.

- ◆ Sağlığa zarar veren maddeleri koklamayın ve deri ile temasından kaçının. Üretici talimatlarına uyun ve uygun kişisel koruyucu ekipmanları kullanın.
- ◆ Aleti karıştırılan malzemeden çıkarmadan ve bir yere koymadan önce alet tam durana kadar bekleyin. Karıştırıcı ucu sıkışabilir veya karıştırılan malzeme etrafa taşınabilir. Bu alet üzerinde kontrol kaybına neden olabilir.

Diğer tehlikeler

- ◆ Emniyet tedbirlerini düzenleyen yönetmeliğin uygulanmasına ve emniyet sağlayıcı aygıtların kullanılmasına rağmen, başka belirli risklerden kaçınılamaz. Bunlar:
- ◆ Aletin dönen ve hareket eden parçalarına dokunma sonucu ortaya çıkan yaralanmalar.
- ◆ Duyma bozukluğu.
- ◆ Herhangi bir parçayı veya aksesuarı değiştirirken yaralanma riski.
- ◆ Özellikle meşe, akgürgen ve MDF olmak üzere ahşap malzeme ile çalışırken meydana gelen tozun yutulması sonucu oluşan sağlık sorunları.
- ◆ Aletin uzun süreli kullanılması sonucu ortaya çıkan yaralanmalar. Herhangi bir aleti uzun sürelerle kullanacaksanız düzenli olarak çalışmanız ara verin.

Diğer kişilerin güvenliği

Bu alet fiziksel ve zihinsel kapasitesinin yanı sıra algılama gücü azalmış olan veya yeterince deneyim ve bilgisi bulunmayan kişiler (çocuklar dahil) tarafından kullanılmak üzere üretilmemiştir. Bu tür kişiler aleti ancak güvenliklerinden sorumlu bir kişi tarafından aletin kullanımıyla ilgili talimatların verilmesi veya sürekli kontrol altında tutulması durumunda kullanabilir.

Çocuklar, aletle oynamalarını önlemek amacıyla kontrol altında tutulmalıdır.

Alet üzerindeki etiketler

Aletin etiketinde aşağıdaki semboller tarih kodu ile birlikte bulunabilir:



Uyarı! Yaralanma riskini en aza indirmek için kullanıcı kullanım talimatlarını mutlaka okumalıdır.



Daima koruyucu gözlük takın.



Daima koruyucu kulaklık takın



Toz maskesi takın.



Eldiven giyin.

Tarih kodu konumu

İmalat yılını da içeren Tarih Kodu (10) gövdeye basılıdır.
Örnek:

2015 XX ZY
İmalat Yılı

Elektrik güvenliği



Bu alet çift yalıtımlıdır. Bu yüzden hiçbir topraklama kablosuna gerek yoktur. Her zaman şebeke geriliminin aletin üretim etiketinde belirtilmiş değerlere uyup uymadığını kontrol edin.

Elektrik kablosu hasarlı ise, bir tehlike oluşmasını önlemek için üretici ya da yetkili STANLEY Servis Merkezi tarafından değiştirilmelidir.

Voltaj düşmeleri

Ani akımlar kısa süreli voltaj düşmelerine neden olabilir. Uygun olmayan güç kaynağı koşullarında, diğer donanım zarar görebilir. Güç kaynağının sistem empedansı 0,34 Ω'dan düşürülürse, arıza meydana gelebilir.

Uzatma kablolarının kullanımı

Daima bu aletin elektrik girişine uygun (teknik özelliklerine bakın), onaylı bir uzatma kablosu kullanın. Kullanmadan önce, uzatma kablosunda hasar, aşınma veya eskime olup olmadığını kontrol edin. Hasarlı veya kusurlu ise, uzatma kablosunu değiştirin. Bir kablo makarası kullanırken, kabloyu daima sonuna kadar açın. Güç girişine uygun olmayan veya hasarlı veya hatalı bir uzatma kablosunun kullanılması yangın ve elektrik çarpmasına yol açabilir.

Özellikler

Bu alet, aşağıdaki özelliklerin bir kısmını veya tümünü içermektedir.

1. Havalandırma delikleri
2. Kollar (sol ve sağ)
3. Bağlantı ucu
4. Uç sapı
5. Karıştırma ucu
6. Kesintisiz çalıştırma düğmesi
7. Değişken hız ayarlı açma/kapama tetiği
8. Elektrik kablosu ve fişi
9. Montaj anahtarı 22mm (2 adet)

Montaj

Ambalajdan çıkarma

- ◆ Tüm parçaları ambalajdan çıkarın ve düz, sağlam bir yüzeye yerleştirin.
- ◆ Tüm ambalaj malzemelerini ve nakliye aygıtları varsa çıkartın.
- ◆ Teslimat içeriği eksiksiz olduğundan ve herhangi bir hasar olmadığından emin olun. Eğer herhangi bir parça eksik veya hasarlı görünüyor ise aleti kullanmayın ve bayinize danışın. Bütün olmayan veya hasarlı aletin kullanımı kişisel ve maddi hasara yol açabilir.

- ◆ Montaj ve kullanım için gerekli tüm aksesuarlar ve el aletlerine sahip olduğunuzdan emin olun. Bu aynı zamanda uygun kişisel koruyucu ekipman için de geçerlidir.

Uyarı! Bu alet ve ambalajı oyuncak değildir! Çocuklar plastik torba, ambalaj kağıdı ve küçük parçalar ile oynamamalıdır! Yutma ve boğulma tehlikesi vardır!

Montaj

Uyarı! Alet kullanmadan önce tam olarak monte edilmesi gerekmektedir! Kısmen monte edilmiş veya hasarlı parçaları içeren aleti kullanmayın! Aleti hızlı ve kolay monte etmek için, montaj talimatlarını adım adım izleyin ve verilen resimleri görsel rehber olarak kullanın! Aleti tamamen monte edilmeden önce elektrik şebekesine bağlamayın!

Karıştırma ucu

Uyarı! Karıştırıcılar uçları farklı tipte ve farklı şekil ve çaplarda mevcuttur. Her kullanım amacına göre doğru bir karıştırıcı ucunu kullanın! Karıştırıcı ucunu satın alma veya kullanım sırasında ürünün teknik gerekliliklerine uyun («Teknik özellikleri» bölümüne bakın). Karıştırıcı ucu kullanım sırasında aşırı ısınır! Dikkatli tutun! Yanıklar ve kesikler gibi yaralanmaları önlemek için karıştırıcı ucuna dokunurken koruyucu eldiven giyin!

Takma (Şekil A, B, C, D)

- ◆ Karıştırma ucunu (5) sap (4) ile hizalayın. Karıştırma ucunu (5) sapın (4) alt ucuna saat yönünde vidalayın (Şekil A).
- ◆ Bir montaj anahtarı (9) ile sap (4) üzerindeki kaynaklı somunu tutarak diğer anahtar (9) ile diğer kaynaklı somunu saat yönünde çevirerek karıştırma ucunu (5) sabitleyin (Şekil B).

Not! Anahtarları kullanmadan önce ilk olarak bağlantı elle sıkın.

- ◆ Karıştırma ucunu (4) bağlantı ucu (3) ile hizalayın. Kaynaklı somunu üzerinde olan sap ucunu bağlantı ucu (3) içine saat yönünde vidalayın (Şekil C).
- ◆ Bir montaj anahtarı (9) ile bağlantı ucunu (3) tutarak diğer anahtar (9) ile kaynaklı somunu saat yönünde çevirerek sapı (4) sabitleyin (Şekil B).

Not! Anahtarları kullanmadan önce ilk olarak bağlantı elle sıkın.

Çıkarma/Değiştirme (Şekil E, F)

- ◆ Bir montaj anahtarı (9) ile bağlantı ucunu (3) tutarak diğer anahtar (9) ile kaynaklı somunu saatin ters yönünde çevirerek sapı (4) gevşetin (Şekil E).
- ◆ Kaynaklı somunu saatin ters yönünde gevşetin ve sapı (4) bağlantı ucundan (3) çıkartın (Şekil F).
- ◆ Karıştırma ucu (Şekil G, H)
- ◆ Bir montaj anahtarı (9) ile sap (4) üzerindeki kaynaklı somunu tutarak diğer anahtar (9) ile diğer kaynaklı somunu saatin ters yönünde çevirerek karıştırma ucunu (5) gevşetin (Şekil G).

- ◆ Kaynaklı somunu saatin ters yönünde gevşetin ve karıştırma ucunu (5) saptan (4) çıkartın (Şekil H).
- ◆ Gerekirse yeni bir sap/karıştırma ucunu takın.

Kullanım

Değişken hız ayarlı tetik (Şekil I)

Alet, normal veya kesintisiz çalışma konumunda kullanılabilir.

Normal çalışma konumu

- ◆ Değişken hız ayarlı tetiğe (7) basarak aleti çalıştırın (Şekil I).
- ◆ Aleti kapatmak için, değişken hız ayarlı tetiğini (7) bırakın.

Kesintisiz çalışma konumu

- ◆ Aleti çalıştırmak için değişken hız ayarlı tetiğe (7) basın ve tutun (Şekil J, adım 1).
- ◆ Değişken hız ayarlı tetiği (7) kilitlemek için kesintisiz çalıştırma düğmesine (6) basın ve tutun (Şekil I, adım 2).
- ◆ Kesintisiz çalıştırma düğmesini (6) ve değişken hız ayarlı tetiği (7) bırakın. Değişken hız ayarlı tetik kesintisiz çalışma için kilittir.
- ◆ Aleti kapatmak için, değişken hız ayarlı tetiğine basın (7) ve bırakın.

Kullanım

- ◆ Her kullanımdan önce alet, aksesuarlar, elektrik kablosu ve fişinin hasarlı olup olmadığını kontrol edin. Alet hasarlı veya aşınmış görünür ise aleti kullanmayın.
- ◆ Aksesuarlar ve ek parçaların doğru bir şekilde takılmış olduğunu iki defa kontrol edin.
- ◆ Aleti daima kollarından tutun. Güvenli tutmayı sağlamak için kolları kuru tutun.
- ◆ Havalandırma deliklerinin temiz ve engelsiz olduğundan emin olun. Gerekirse yumuşak bir fırça ile temizleyin. Tıkanmış havalandırma delikleri aşırı ısınmaya yol açar ve alete zarar verebilir.
- ◆ Operasyon sırasında çalışma alanına giren diğer insanlar tarafından rahatsız ediliyorsanız aleti derhal kapatın. Aleti bir yere koymadan önce alet tam durana kadar bekleyin.
- ◆ Kendinizi fazla yormayın. İş üzerinde konsantre olmak ve tam kontrol sağlamak için düzenli olarak çalışmanıza ara verin.

Karıştırma (Şekil K)

Uyarı! Operasyon sırasında ince toz oluşacaktır! Bazı tozlar son derece yanıcı ve patlayıcıdır! İşlem sırasında sigara içmeyin ve ısı kaynakları ve açık alevleri çalışma alanının dışında tutun! İnce tozdan kaynaklanan tehlikelere karşı kendinizi korumak için daima toz maskesi takın! Malzeme çok sert olduğunda karıştırıcı ucu işlem sırasında duracaktır! Aleti kapatın, karıştırıcı ucunu malzemeden

çıkartın ve işlemi yeniden başlamadan önce malzemeyi kontrol edin. Tıkanmış karıştırıcı ucu motorun aşırı ısınmaya neden olabilir. Kullanım sırasında aleti sıkı tutun. Karıştırma ucunun kovanın duvarlarına temas etmediğinden emin olun. Bu, karıştırma ucu ve kovaya zarar verebilir!

İki elinizle aletin iki kolunu (2) tutun ve karıştırıcı ucunu (5) malzeme içine daldırın (Şekil M).

- ◆ Düşük hızda çalışmayı başlatmak için yumuşak bir şekilde değişken hız ayarlı tetiğe basın.
- ◆ Karıştırıcı ucunu malzeme eşit olarak ve tamamen karışana kadar malzeme içinde hareket ettirin.
- ◆ Aleti kapatın. Karıştırılmış malzemenin ucu çıkarmadan önce ucu tam durana kadar bekleyin.

Uyarı: Karıştırıcı ucu malzeme içine tıkanırsa aleti kapatın, tamamen durana kadar bekleyin ve fişini elektrik prizinden çıkartın. Bundan sonra tıkanmış ucunu çıkartabilirsiniz.

Kullanımdan sonra

Uyarı: Kontrol, bakım ve temizlik işlemleri yapmadan önce her zaman aleti kapatın, güç kaynağından çıkartın ve soğumasını bekleyin!

Temizleme

- ◆ Aleti temiz tutun. Her kullanımdan sonra ve saklamadan önce pisliği temizleyin.
- ◆ Düzenli ve doğru yapılmış temizlik güvenli kullanımı sağlar ve aletin ömrünü uzatır.
- ◆ Her kullanımdan önce aleti yıpranmış veya hasarlı olmadığını kontrol edin. Kırık veya yıpranmış parçaları bulduğunuzda aleti kullanmayın.

Uyarı: Onarım ve bakım işlemlerini sadece bu talimatlara göre uygulayın! Tüm diğer işler eğitimli personel tarafından yapılmalıdır!

- ◆ Aleti kuru bir bezle temizleyin. Erişilmesi zor alanlarda fırçayı kullanın.
- ◆ Özellikle havalandırma deliklerini (1) her kullanımdan sonra be veya fırça ile temizleyin.
- ◆ İnatçı kiri yüksek basınçlı hava ile temizleyin (maks. 3 bar).

Not: Bu aleti temizlemek için kimyasal, alkalın, aşındırıcı veya diğer güçlü deterjanlar veya dezenfektanlar gibi aletin yüzeylere zarar verebilecek maddeleri kullanmayın.

Hasarlı veya aşınmış parça olup olmadığını kontrol edin. Aleti yeniden kullanmadan önce aşınmış parçaları değiştirin veya yetkili serviste onarılmasını sağlayın.

Tamir

Bu ürün tüketici tarafından tamir edilebilecek herhangi bir parça içermez. Kontrol ve tamir için bir yetkili servis merkezine ya da benzer yetkili personele başvurun.

Saklanması

- ◆ Aleti kapatın ve fişini şebekeden çekin.
- ◆ Aleti yukarıda tanımlandığı şekilde temizleyin.
- ◆ Aleti karanlık, kuru, donmaz ve iyi havalandırılan bir alanda saklayın.

Türkçe (Çevirisi orijinal talimatlardan yapılmıştır)

- ◆ Her zaman çocukların ulaşamayacağı bir yerde saklayın. En uygun depolama sıcaklığı 10°C ve 30°C arasındadır.
- ◆ Aleti toza karşı korumak için saklarken orijinal ambalajını kullanmayı ya da uygun bir bez ile örtmeyi öneririz.

Taşıma

- ◆ Aleti kapatın ve fişini şebekeden çekin.
- ◆ Varsa, taşıma muhafazalarını takın.
- ◆ Aleti daima kollarını (2) kullanarak taşıyın.
- ◆ Araçlarda taşıma sırasında oluşabilecek herhangi bir ağır darbe veya güçlü titreşimlere karşı aleti koruyun.
- ◆ Kayma veya devrilmesini önlemek için aleti sabitleyin.

Arıza giderme

Şüpheli arızalar genellikle kullanıcıların kendilerinin düzeltebileceği nedenlere bağlı olabilir. Bu nedenle, bu bölümü kullanarak aletinizi kontrol edin. Bir çok durumda sorun hızlı bir şekilde çözülebilir.

Sorun	Olası nedeni	Çözüm
Alet açılmıyor	Güç kaynağına bağlı değil	Güç kaynağına bağlayın
	Elektrik kablo veya fiş hasarlıdır	Profesyonel bir elektrikçi tarafından kontrol ettirin
	Diğer elektrikli arıza	Profesyonel bir elektrikçi tarafından kontrol ettirin
Alet tam güce ulaşamamaktadır	Uzatma kablosu bu aletle kullanmak için uygun değildir	Uygun uzatma kablosunu kullanın
	Güç kaynağında (jeneratör) çok düşük voltaj vardır	Başka güç kaynağına bağlayın
	Tıkanmış havalandırma delikleri	Havalandırma deliklerini temizleyin
Yetersiz sonuç	Karıştırıcı ucu aşınmış	Karıştırıcı ucunu değiştirin
	Karıştırıcı ucu malzemeye uygun değildir	Uygun bir karıştırıcı ucunu kullanın

Bakım

Aletiniz minimum bakımla uzun bir süre çalışacak şekilde tasarlanmıştır. Kesintisiz olarak memnuniyet verici bir şekilde çalışması gerekli özenin gösterilmesine ve düzenli temizliğe bağlıdır.

Uyarı! Herhangi bir bakımdan önce aleti kapatın ve fişten çekin.

- ◆ Aletinizdeki havalandırma deliklerini yumuşak bir fırça veya kuru bir bezle düzenli olarak temizleyin.
- ◆ Motor muhafazasını düzenli olarak nemli bir bezle silin. Aşındırıcı veya çözücü bazlı temizleyiciler kullanmayın.

Çevrenin korunması



Ayrı olarak atın. Bu ürün, normal evsel atıklarla birlikte atılmamalıdır.

STANLEY ürününüzün değiştirilmesi gerektiğini düşünmeniz veya artık kullanılamaz durumda olması halinde onu, evsel atıklarla birlikte atmayın. Bu ürünü, ayrı olarak toplanacak şekilde atın.



Kullanılmış ürünlerin ve ambalajların ayrı olarak toplanması bu maddelerin geri dönüşüme sokularak yeniden kullanılmasına olanak tanır. Geri dönüşümlü maddelerin tekrar kullanılması çevre kirliliğinin önlenmesine yardımcı olur ve ham madde ihtiyacını azaltır.

Yerel yönetmelikler, elektrikli ürünlerin evlerden toplanıp belediye atık tesislerine aktarılması veya yeni bir ürün satın alırken perakende satıcı tarafından toplanması yönünde hükümler içerebilir.

STANLEY, hizmet ömrünün sonuna ulaşan STANLEY ürünlerinin toplanması ve geri dönüşüme sokulması için bir imkan sunmaktadır. Bu hizmetin avantajlarından faydalanmak için, lütfen, ürününüzü bizim adımıza teslim alacak herhangi bir yetkili servise iade edin.

Bu kılavuzda belirtilen listeden size en yakın STANLEY yetkili tamir servisinin yerini öğrenebilirsiniz. Ya da, alternatif olarak internet'ten STANLEY yetkili tamir servislerinin listesini ve satış sonrası hizmetlerimizle ilgili tüm bilgiler ve temas bilgilerine aşağıdaki siteden ulaşabilirsiniz. www.2helpU.com

Notlar

- ◆ STANLEY politikasına göre ürünlerimizi sürekli iyileştirme amacıyla, önceden haber vermeden ürün özelliklerini değiştirme hakkını saklı tutarız.
- ◆ Standart ekipman ve aksesuarlar ülkeye göre değişebilir.
- ◆ Ürün özellikleri ülkelere göre farklı olabilir.
- ◆ Komple ürün çeşidi tüm ülkelerde geçerli olmayabilir. Ürün çeşidi durumu hakkında lütfen en yakın STANLEY yetkili servisiyle temas kurun.

Teknik özellikleri

SDR1400		
Giriş voltajı	VAC	220-240
Giriş gücü	W	1400
Frekans	Hz	50/60
Yüksüz hızı	dev/dak	0-480/0-800
Karıştırıcı ucunun çapı	mm	Ø 140
Bağlantı dişi	mm	M14
Değişken hız ayarı		VAR
Maks. karıştırma hacmi	L	120
Ağırlık	kg	3.5

AT Uygunluk Beyanatı
MAKİNE DİREKTİFİ

SDR1400 – Karıştırıcı

STANLEY, «teknik özellikleri» bölümünde açıklanan bu ürünlerin aşağıda belirtilen yönergelere uygun olduğunu beyan eder:

2006/42/EC, EN 60745-1:2009 + A11:2010,
EN 60745-2-11: 2010

Bu ürünler ayrıca 2004/108/EC (19/04/2016 tarihine kadar), 2014/30/EU (20/04/2016 tarihinden itibaren) ve 2011/65/EU Direktiflerine de uygundur.

Daha fazla bilgi için, lütfen aşağıdaki adresten STANLEY ile irtibata geçin veya kılavuzun arkasına bakın.

Bu belge altında imzası bulunan yetkili, teknik dosyanın derlenmesinden sorumludur ve bu beyanı STANLEY adına vermiştir.

EN 60745'e göre ses basıncı düzeyi:

Ses basıncı (L_{pA}) 90.5 dB(A), belirsizlik (K) 3 dB(A)
Ses gücü (L_{WA}) 101.5 dB(A), belirsizlik (K) 3 dB(A)

Toplam titreşim değerleri ah:

Ana tutma kolu (a_h) 2.2 m/s², belirsizlik (K) 1.5 m/s²

Titreşim

Teknik veriler ve uygunluk beyanatı içerisinde belirtilen titreşim emisyon değerleri EN60745 tarafından belirlenen standart bir test yöntemine uygun olarak ölçülmektedir ve diğer bir aletle karşılaştırma yaparken kullanılabilir. Beyan edilen titreşim emisyon değeri aynı zamanda maruz kalmanın önceden değerlendirilmesinde de kullanılabilir.

Uyarı! Elektrikli aletin mevcut kullanımı sırasındaki titreşim emisyon değeri, aletin kullanım yöntemine bağlı olarak, beyan edilen değere göre farklılık sergileyebilir. Titreşim düzeyi belirlenen seviyenin üzerinde artış gösterebilir.

İşyerinde düzenli olarak elektrikli alet kullanan çalışanları korumak amacıyla 2002/44/EC tarafından getirilen elektrik güvenliği önlemlerini belirlemek üzere titreşime maruz kalmayı değerlendirirken, çalışma döngüsü içerisinde örneğin aletin kapalı olduğu ve aktif durumda olmasının yanı sıra boşta çalıştığı zamanlar gibi, bütün zaman dilimleri dahil olmak üzere mevcut kullanım durumu ve aletin kullanım şekli göz önünde bulundurularak değerlendirilmelidir.

Servis Bilgileri

STANLEY, kendisine ait ve yetkili servisler ile tam bir servis ağı sunmaktadır. Tüm STANLEY Servis Merkezleri müşterilere etkili ve güvenilir elektrikli el aleti hizmeti sunmak için eğitimli personel ile donatılmıştır. Yetkili servis merkezlerimiz hakkında daha fazla bilgi almak istiyorsanız veya teknik danışmanlık, onarım ya da orijinal fabrika yedek parçası ihtiyacınız varsa, size en yakın STANLEY satış noktasına başvurun.

R.Laverick
Mühendislik Bölümü Müdürü
STANLEY, Europe, Egide Walschaertsstraat14-18,
2800 Mechelen, Belçika
01.2016

İKİ YIL GARANTİ

Sahip olduğunuz STANLEY ürünü satın alma tarihinden itibaren 24 ay içinde hatalı malzeme veya işçilik nedeniyle bozulursa, STANLEY aşağıdaki şartlara uyulması koşuluyla ücretsiz olarak tüm kusurlu parçaların yenilenmesini veya -kendi inisiyatifine bağlı olarak- satın alınan ürünün değiştirilmesini garanti eder:

- ◆ Ürün, hatalı kullanılmamış kullanım kılavuzuna uygun kullanılmıştır.
- ◆ Ürün yıpranmamış, hırpalanmamış ve aşınmamıştır;
- ◆ Yetkili olmayan kişilerce tamire çalışmamıştır.
- ◆ Satın alma belgesi (fatura) ibraz edilmiştir;
- ◆ STANLEY ürünü, tüm orijinal parçaları ile birlikte iade edilmiştir;
- ◆ Ürün kiralama amacıyla kullanılmamıştır.

Garanti talebinde bulunmak için, lütfen satıcıyla irtibata geçin veya STANLEY katalogunda belirtilen size en yakın STANLEY yetkili satıcı adresini kontrol edin veya ürünün kılavuzunda belirtilen adresteki yerel STANLEY yetkili tamir servisi ile temas kurun. İnternet'ten STANLEY yetkili tamir servislerinin listesine ve satış sonrası hizmetlerimizle ilgili tüm bilgilerine aşağıdaki siteden ulaşabilirsiniz:
www.2helpU.com 01.2016 Sanayi ve Ticaret Bakanlığı

Türkçe (Çevirisi orijinal talimatlardan yapılmıştır)

Sanayi ve Ticaret Bakanlığı tebliğince kullanım ömrü 7 yıldır.

Türkiye Distribütörü

STANLEY BLACK&DECKER TURKEY ALET ÜRETİM
SAN. TIC. LTD. STI.

Kozyatağı Mh Değirmen Sk. Nida Kule No:18 Kat:6

34742 Kadıköy İstanbul

Tel : (0216) 665 29 00

Faks : (0216) 665 29 01

E-posta: info-tr@sbdinc.com