

INSTRUCTION MANUAL

SMOKE SENSOR

— FIBARO SYSTEM —



Functional features



Smoke sensor



Temperature sensor



Signal alarm

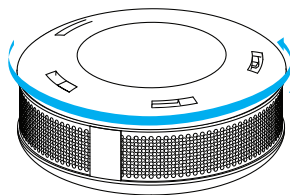


Light alarm

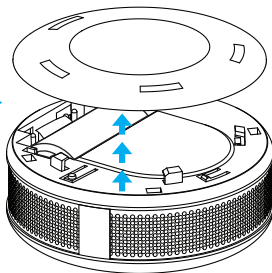
Download FIBARO app for smartphone



Start the device



STEP 1
Twist and open the casing.



STEP 2
Take off the casing.

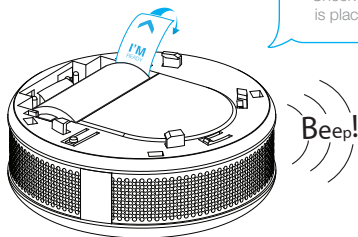
Start the device

STEP 3

Remove the battery blocker
"I'm ready".

STEP 4

Check if the battery
is placed correctly.

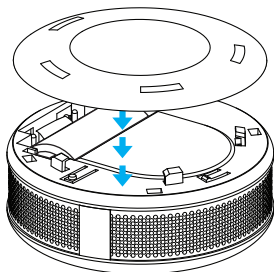


You will hear an alarm
signal while
the LED diode blinks red.

Start the device

STEP 5

Close the casing.



It's not possible to close the device without the battery.

Your Smoke Sensor is ready to be added to the Home Center.

Smoke Sensor must be in range of the Home Center because it requires
a direct communication with the controller.



Start inclusion mode

STEP 6
Start your FIBARO application.
Go to Settings.



Start inclusion mode

STEP 7

Press "add device".



STEP 8

Press "Next".

Inclusion mode has been launched



Add your device



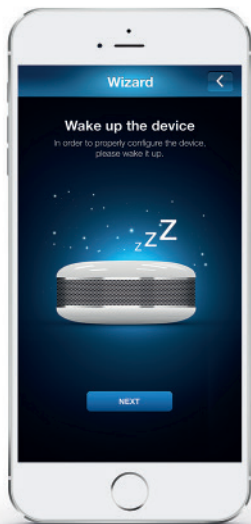
Processing your configurations



Wake up the device



Sometimes waking up the device is not required so it will be omitted automatically.



STEP 10
Press the button in order to wake up the device.



The device has been added



STEP 11

Name the device and assign it to the room.

Network range test

It is recommended to check if the device's destination is in range of your Home Center.



STEP 12a

Hold the button for 3 seconds.

You should hear a short signal while LED diode blinks white.

STEP 12b

Release the button.

Network range test



STEP 13

Press the button when the indicator glow pink.

The quality of the network range will be indicated by different colours of the LED diode.

STEP 14

Press the button in order to leave testing mode.

The indicator colour signaling the quality of the network



Direct communication



Routed communication



Limited communication

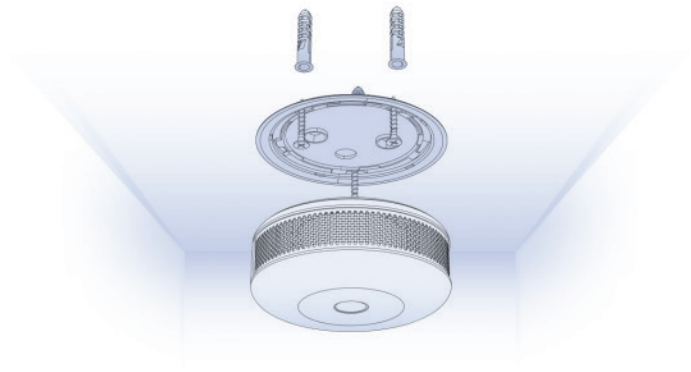


No signal! The device will not work correctly!



Installation

During the installation it is recommended to wake up the device.



1. It is recommended to install the Smoke Sensor in all spaces that are in danger of fire as well as the corridors between them.
2. Minimum distance:
 - From walls and other objects: 40 cm,
 - From lightning system: 50 cm.
 - From air conditioners: 1,5 m.
3. FIBARO Smoke Sensor should be installed in the tallest space of the room.
4. The device should not be installed in draft places, in location with a natural smoke or steam (e.g. above the oven and kettle) as well as in well lightened spaces.

Alarm and information signal



Fire

Three beeps every 1.5 seconds
and red light alarm.



Low battery level

A beep every 50 seconds
and yellow light alarm.



Damage

A beep every 50 seconds
and a light alarm.



Скачано с сайта интернет магазина <https://axiomplus.com.ua>