

TYBIA LED

Ceiling-mounted LED light fitting



[V] 220-240 AC	[Hz] 50/60	[W] 38	[lm] 3500	[°] 110	[h] ≥20000	[h] 30000
Tc [K] 4000	ellipse ≤ 6x MacAdam	Ra ≥80	SMD	IP 20		
	[°C] 5÷25			[mm²] 1-2,5	0,5m	
lm W 92						



TYBIA LED 38W-NW

		[W]	[lm]	Tc [K]		SENSOR
TYBIA LED 38W-NW	24640	38	3500	4000	grey / white	
TYBIA LED 38W-NW-SE	24641	38	3500	4000	grey / white	microwave



Kanlux TYBIA LED is a general lighting luminaire using SMD diodes. When mounted in corridors, staircases, social or utility rooms, TYBIA LED allows for significant savings related to both reduced energy consumption and the long-term maintenance-free operation.

- Enclosure material: aluminum alloy
- Lampshade material: PMMA

TYBIA LED

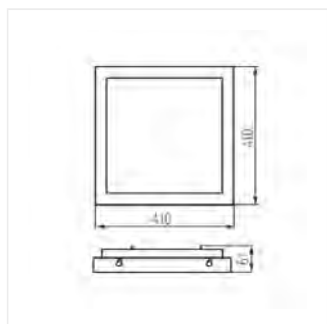
Ceiling-mounted LED light fitting



TYBIA LED 38W-NW



TYBIA LED 38W-NW-SE



TYBIA LED 38W