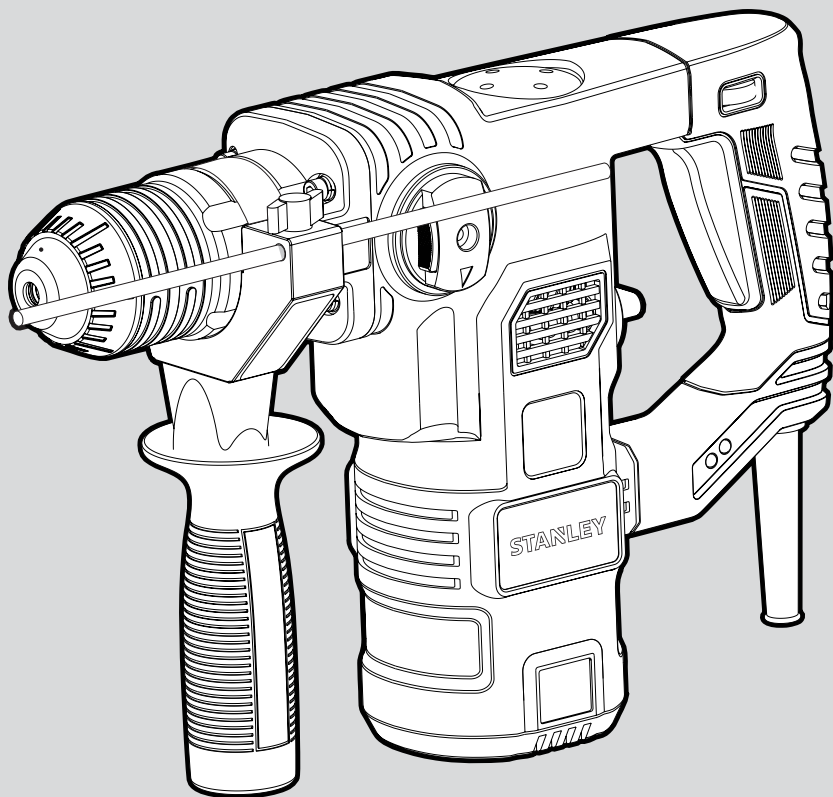
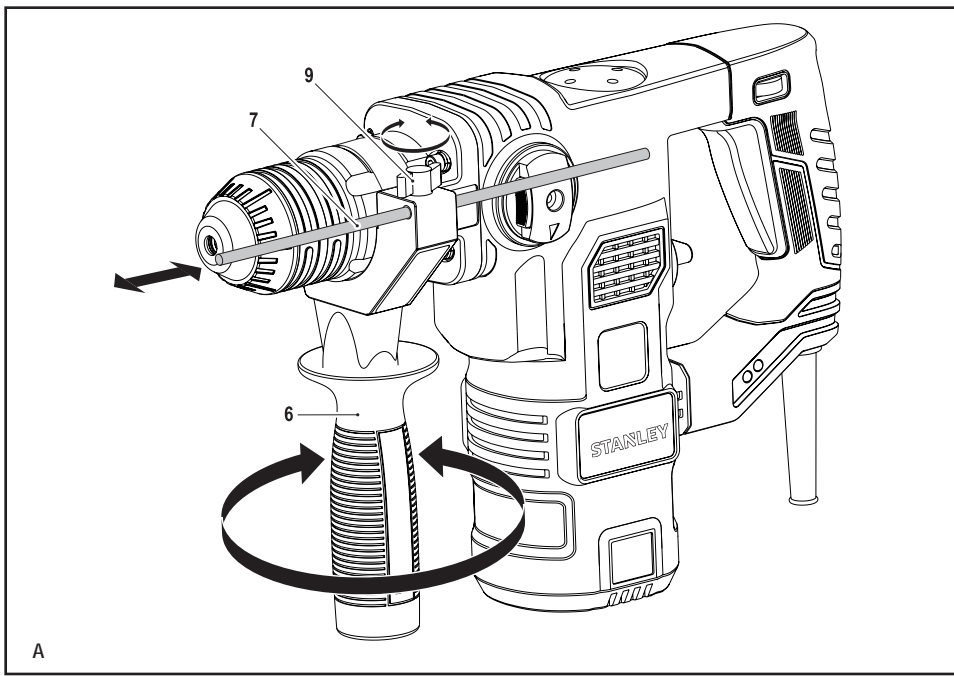
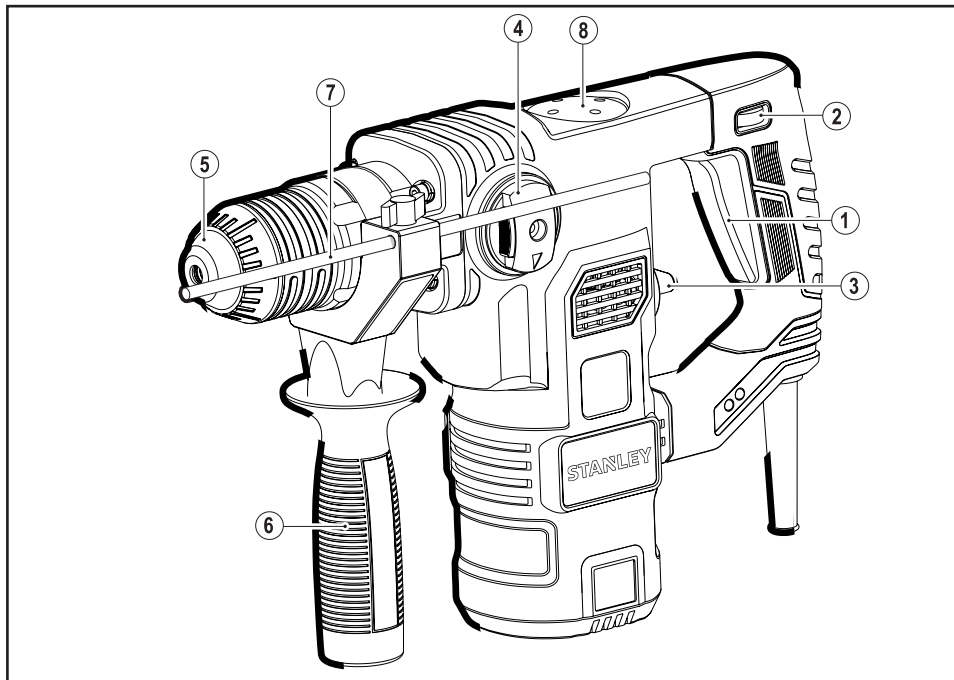


STANLEY

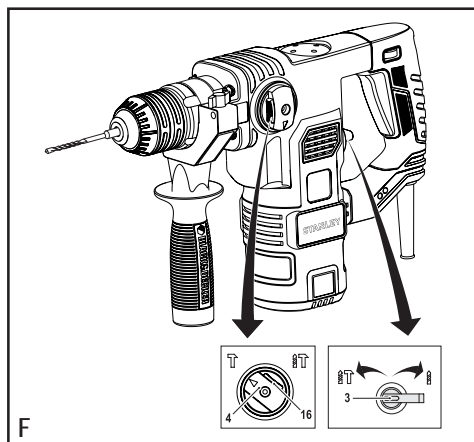
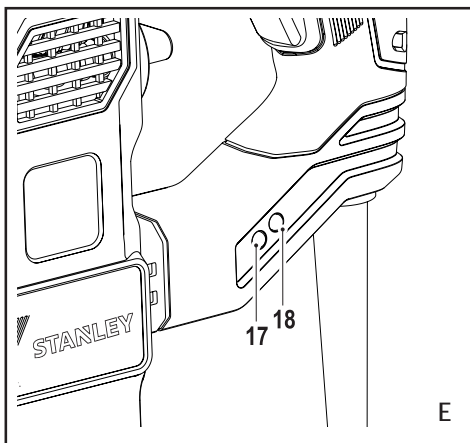
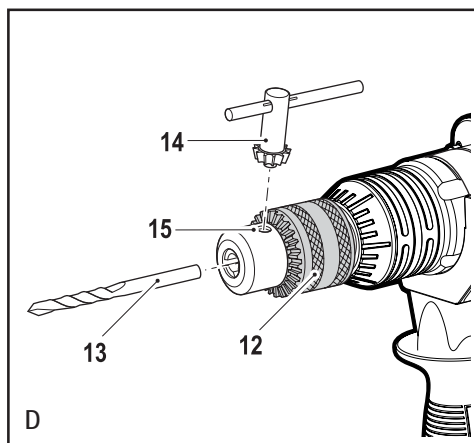
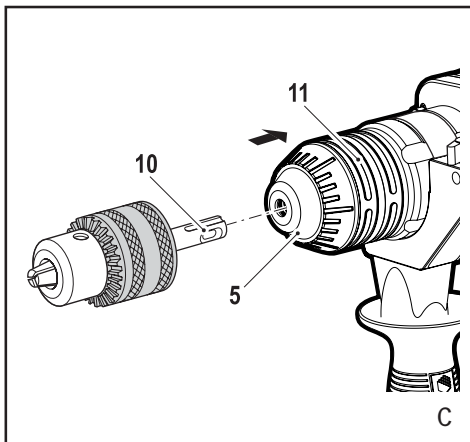
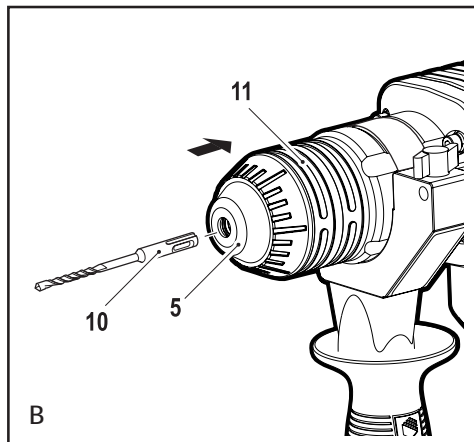


STHR323

English Page 4
Russian Page 12
Ukrainian Page 22



A



Intended use

Your STANLEY rotary hammer drill has been designed for drilling in wood, metal, plastics, and masonry as well as for screwdriving and light chiselling applications. This tool is intended for consumer use only.

Safety instructions

General power tool safety warnings



Warning! Read all safety warnings and all instructions. Failure to follow the warnings and instructions listed below may result in electric shock, fire and/or serious injury.

Save all warnings and instructions for future reference.

The term "power tool" in the warnings refers to your mains operated (corded) power tool or battery operated (cordless) power tool.

1. Work area safety

- a. **Keep work area clean and well lit.** Cluttered or dark areas invite accidents.
- b. **Do not operate power tools in explosive atmospheres, such as in the presence of flammable liquids, gases or dust.** Power tools create sparks which may ignite the dust or fumes.
- c. **Keep children and bystanders away while operating a power tool.** Distractions can cause you to lose control.

2. Electrical safety

- a. **Power tool plugs must match the outlet. Never modify the plug in any way. Do not use any adapter plugs with earthed (grounded) power tools.** Unmodified plugs and matching outlets will reduce risk of electric shock.
- b. **Avoid body contact with earthed or grounded surfaces such as pipes, radiators, ranges and refrigerators.** There is an increased risk of electric shock if your body is earthed or grounded.
- c. **Do not expose power tools to rain or wet conditions.** Water entering a power tool will increase the risk of electric shock.
- d. **Do not abuse the cord. Never use the cord for carrying, pulling or unplugging the power tool. Keep**

cord away from heat, oil, sharp edges or moving parts. Damaged or entangled cords increase the risk of electric shock.

- e. **When operating a power tool outdoors, use an extension cord suitable for outdoor use.** Use of a cord suitable for outdoor use reduces the risk of electric shock.
 - f. **If operating a power tool in a damp location is unavoidable, use a residual current device (RCD) protected supply.** Use of an RCD reduces the risk of electric shock.
- ### 3. Personal safety
- a. **Stay alert, watch what you are doing and use common sense when operating a power tool. Do not use a power tool while you are tired or under the influence of drugs, alcohol or medication.** A moment of inattention while operating power tools may result in serious personal injury.
 - b. **Use personal protective equipment. Always wear eye protection.** Protective equipment such as dust mask, non-skid safety shoes, hard hat, or hearing protection used for appropriate conditions will reduce personal injuries.
 - c. **Prevent unintentional starting. Ensure the switch is in the off-position before connecting to power source and/or battery pack, picking up or carrying the tool. Carrying power tools with your finger on the switch or energising power tools that have the switch on invites accidents.**
 - d. **Remove any adjusting key or wrench before turning the power tool on.** A wrench or a key left attached to a rotating part of the power tool may result in personal injury.
 - e. **Do not overreach. Keep proper footing and balance at all times.** This enables better control of the power tool in unexpected situations.
 - f. **Dress properly. Do not wear loose clothing or jewellery. Keep your hair, clothing and gloves away from moving parts.** Loose clothes, jewellery or long hair can be caught in moving parts.
 - g. **If devices are provided for the connection of dust extraction and collection facilities, ensure these are connected and properly used.** Use of dust collection can reduce dust-related hazards.

4. Power tool use and care

- a. Do not force the power tool. Use the correct power tool for your application. The correct power tool will do the job better and safer at the rate for which it was designed.
- b. Do not use the power tool if the switch does not turn it on and off. Any power tool that cannot be controlled with the switch is dangerous and must be repaired.
- c. Disconnect the plug from the power source and/or the battery pack from the power tool before making any adjustments, changing accessories, or storing power tools. Such preventive safety measures reduce the risk of starting the power tool accidentally.
- d. Store idle power tools out of the reach of children and do not allow persons unfamiliar with the power tool or these instructions to operate the power tool. Power tools are dangerous in the hands of untrained users.
- e. Maintain power tools. Check for misalignment or binding of moving parts, breakage of parts and any other condition that may affect the power tools operation. If damaged, have the power tool repaired before use. Many accidents are caused by poorly maintained power tools.
- f. Keep cutting tools sharp and clean. Properly maintained cutting tools with sharp cutting edges are less likely to bind and are easier to control.
- g. Use the power tool, accessories and tool bits etc. in accordance with these instructions, taking into account the working conditions and the work to be performed. Use of the power tool for operations different from those intended could result in a hazardous situation.

5. Service

- a. Have your power tool serviced by a qualified repair person using only identical replacement parts. This will ensure that the safety of the power tool is maintained.

Additional power tool safety warnings



Warning! Additional safety warnings for rotary and chiselling hammers

- **Wear ear protectors.** Exposure to noise can cause hearing loss.

- **Use auxiliary handles supplied with the tool.** Loss of control can cause personal injury.
- **Hold power tool by insulated gripping surfaces when performing an operation where the cutting accessory may contact hidden wiring or its own cord.** Cutting accessory contacting a "live" wire may make exposed metal parts of the power tool "live" and shock the operator.
- **Never use a chisel accessory in rotary mode.** The accessory will bind in the material and rotate the drill.
- **Use clamps or another practical way to secure and support the workpiece to a stable platform.** Holding the work by hand or against your body leaves it unstable and may lead to loss of control.
- Before drilling into walls, floors or ceilings, check for the location of wiring and pipes.
- Avoid touching the tip of a drill bit just after drilling, as it may be hot.
- This tool is not intended for use by persons (including children) with reduced physical, sensory or mental capabilities, or lack of experience and knowledge, unless they have been given supervision or instruction concerning use of the appliance by a person responsible for their safety. Children should be supervised to ensure that they do not play with the appliance.
- The intended use is described in this instruction manual. The use of any accessory or attachment or performance of any operation with this tool other than those recommended in this instruction manual may present a risk of personal injury and/or damage to property.
- Use a face or dust mask whenever the operations may produce dust or flying particles.

Safety of others

- This appliance is not intended for use by persons (including children) with reduced physical, sensory or mental capabilities, or lack of experience and knowledge, unless they have been given supervision or instruction concerning use of the appliance by a person responsible for their safety.
- Children should be supervised to ensure that they do not play with the appliance.

Residual risks.

Additional residual risks may arise when using the tool which may not be included in the enclosed safety warnings. These risks can arise from misuse, prolonged use etc. Even with the application of the relevant safety regulations and the implementation of safety devices, certain residual risks can not be avoided. These include:

- Injuries caused by touching any rotating/moving parts.
- Injuries caused when changing any parts, blades or accessories.
- Injuries caused by prolonged use of a tool. When using any tool for prolonged periods ensure you take regular breaks.
- Impairment of hearing.
- Health hazards caused by breathing dust developed when using your tool (example:- working with wood, especially oak, beech and MDF.)

Electrical safety



This tool is double insulated; therefore no earth wire is required. Always check that the power supply corresponds to the voltage on the rating plate.

- If the supply cord is damaged, it must be replaced by the manufacturer or an authorised STANLEY Service Centre in order to avoid a hazard.

Labels on tool

The label on your tool may include the following symbols:

	Read Instructions Manual	Hz Hertz		Class II Construction
	Use Eye Protection	W Watts		Earthing Terminal
	Use Ear Protection	min minutes		Safety Alert Symbol
V Volts		/min..	Revolutions or Reciprocation per minute
A Amperes			n ₀	No-Load Speed

Position of date barcode

The Date Code, which also includes the year of manufacture, is printed into the housing.

Example:

2014 XX JN
Year of manufacturing

Features

This tool includes some or all of the following features.

1. On/Off switch
2. Speed selector dial
3. Drilling mode selector
4. Operating mode selector
5. Tool holder
6. Side handle
7. Depth stop
8. Grease cap

Assembly

Warning! Before assembly, make sure that the tool is switched off and unplugged.

Fitting the side handle (fig. A)

- Turn the grip counterclockwise until you can slide the side handle (6) onto the front of the tool as shown.
- Rotate the side handle into the desired position.
- Tighten the side handle by turning the grip clockwise.

Fitting and setting the depth stop (fig. A)

- Slacken the knob (9).
- Insert the depth stop (7) into the mounting hole as shown.
- Set the depth stop (7) to the desired position. The maximum drilling depth is equal to the distance between the tip of the drill bit and the front end of the depth stop.
- Tighten the knob (9).

Fitting an accessory (fig. B - D)

- Clean and grease the shank (10) of the accessory.
- Pull back the sleeve (11) and insert the shank into the tool holder (5).
- Push the accessory down and turn it slightly until it fits into the slots.
- Pull on the accessory to check if it is properly locked. The hammering function requires the accessory to be able to move axially several centimetres when locked in the tool holder.
- To remove the accessory, pull back the sleeve (11) and pull out the accessory.

Keyed chuck (fig. D)

- Open the chuck by turning the sleeve (12) anti-clockwise.
- Insert the bit shaft (13) into the chuck.
- Insert the chuck key (14) into each hole (15) in the side of the chuck and turn clockwise until tight.

Use

Warning! Let the tool work at its own pace. Do not overload.

Warning! Before drilling into walls, floors or ceilings, check for the location of wiring and pipes.



Warning! Do not apply chisels when the tool is in the drilling mode.

Selecting the operating mode (fig. F)



The tool can be used in three operating modes.

- To operate the drilling mode selector (3), rotate it towards the required position, as indicated by the symbols.
- To operate the operating mode selector (4), push the unlock button (16) and rotate the selector towards the required position, as indicated by the symbols.

Drilling



- For drilling in steel, wood and plastics, and for screwdriving set the operating mode selector (4) to the  position and the drilling mode selector (3) to the  position.

Hammer drilling

- For hammer drilling in masonry and concrete, set the operating mode selector (4) to the  position and the drilling mode selector (3) to the  position. When hammering, the tool should not bounce and run smoothly. If necessary, increase the speed.

Hammering

- For hammering with spindle lock, and for light chiselling and chipping, set the operating mode selector (4) to the

 position and the drilling mode selector (3) to the  position.

- When changing from hammer drilling to chiselling, turn the chisel to the desired position. If resistance is felt during mode change, slightly turn the chisel to engage the spindle lock.

Switching on and off

- Select the required speed by turning the speed selector dial (2).
- To switch the tool on, press the on/off switch (1).
- To switch the tool off, release the on/off switch.

Brush monitor (fig. E)

Your tool has a built in system that monitors the health of the brushes.

- Green brush monitor indicator (17). The brushes are in good condition.
- Red brush monitor indicator (18). The brushes are worn and need replacing, return your tool to an authorised STANLEY Service Centre in order to have the brushes replaced.

Accessories

The performance of your tool depends on the accessory used. STANLEY and Piranha accessories are engineered to high quality standards and designed to enhance the performance of your tool. By using these accessories you will get the very best from your tool.

Maintenance

Your Black & Decker corded/cordless appliance/tool has been designed to operate over a long period of time with a minimum of maintenance. Continuous satisfactory operation depends upon proper tool care and regular cleaning.

Warning! Before performing any maintenance on corded/cordless power tools:

- Switch off and unplug the appliance/tool.
- Regularly clean the ventilation slots in your appliance/tool/charger using a soft brush or dry cloth.
- Regularly clean the motor housing using a damp cloth. Do not use any abrasive or solvent-based cleaner.
- Regularly open the chuck and tap it to remove any dust from the interior (when fitted).

Mains plug replacement (U.K. & Ireland only)

If a new mains plug needs to be fitted:

- Safely dispose of the old plug.
- Connect the brown lead to the live terminal in the new plug.
- Connect the blue lead to the neutral terminal.

Warning! No connection is to be made to the earth terminal. Follow the fitting instructions supplied with good quality plugs. Recommended fuse: 5 A.

Technical Data

STHR323		
Input voltage	V _{ac}	220-240
Frequency	Hz	50/60
Power input	W	1250
Rated speed	/min	0-850
Impact rate	/min	0-4100
Impact energy per stroke according to EPTA-Procedure 05/2009	j	3.2
Weight	kg	5.4
Max. drilling capacity		
Concrete	mm	32
Steel	mm	13
Wood	mm	40

Protecting the environment



Separate collection. This product must not be disposed of with normal household waste.

Should you find one day that your STANLEY product needs replacement, or if it is of no further use to you, do not dispose of it with household waste. Make this product available for separate collection.



Separate collection of used products and packaging allows materials to be recycled and used again.

Re-use of recycled materials helps prevent environmental pollution and reduces the demand for raw materials.

Local regulations may provide for separate collection of electrical products from the household, at municipal waste sites or by the retailer when you purchase a new product. STANLEY provides a facility for the collection and recycling of STANLEY products once they have reached the end of their working life. To take advantage of this service please return your product to any authorised repair agent who will collect them on our behalf.

You can check the location of your nearest authorised repair agent by contacting your local STANLEY office at the address indicated in this manual. Alternatively, a list of authorised STANLEY repair agents and full details of our after-sales service and contacts are available on the Internet at: www.2helpU.com

EC declaration of conformity

machinery directive



STHR323

STANLEY заявляет, что эти продукты описано в разделе "Технические данные" в соответствии с: 2006/42 / EC, EN 60745-1, EN 60745-2-6

Эти продукты также соответствуют Директиве 2014/30 / EC и 2011/65 / EC. Для получения более подробной информации, пожалуйста, связаться STANLEY по адресу или обратитесь к Задняя часть руководства.

Нижеподписавшийся несет ответственность за составление технических данных и делает это заявление от имени Стэнли.

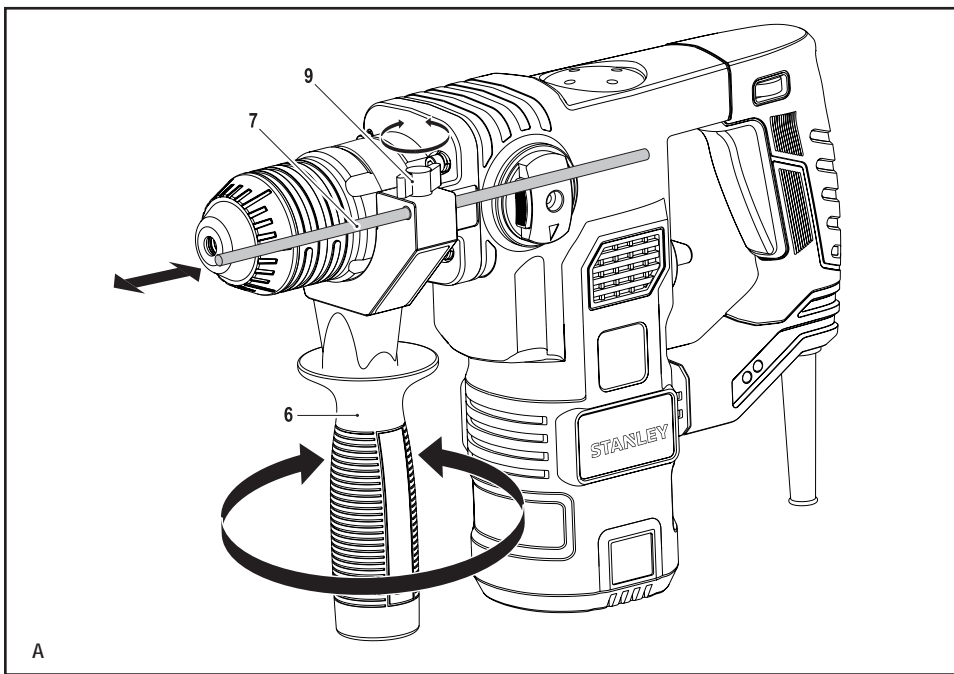
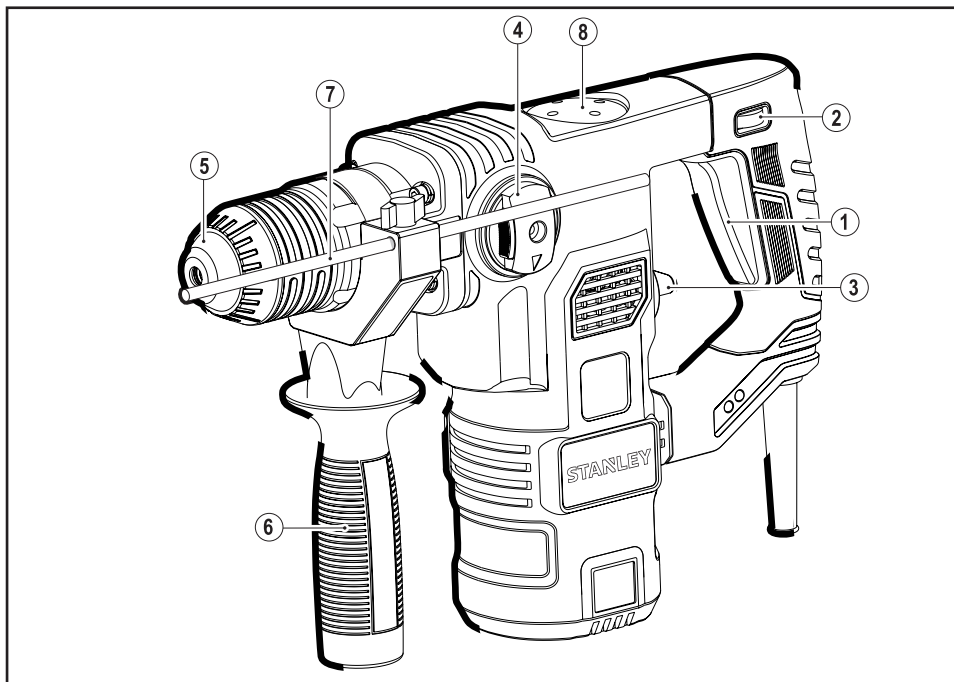
R.Laverick
Главный инженер
STANLEY, Европа, Egide Walschaertsstraat14-18,
2800 Мехелен, Бельгия
01.2015

Two year full warranty

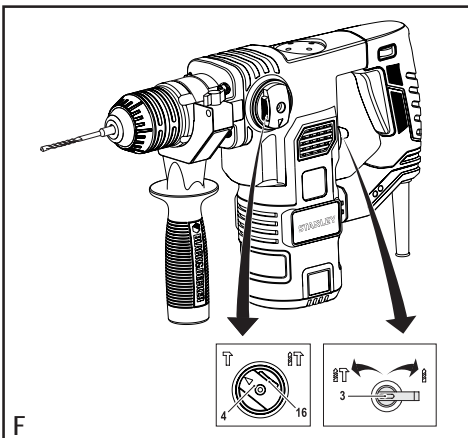
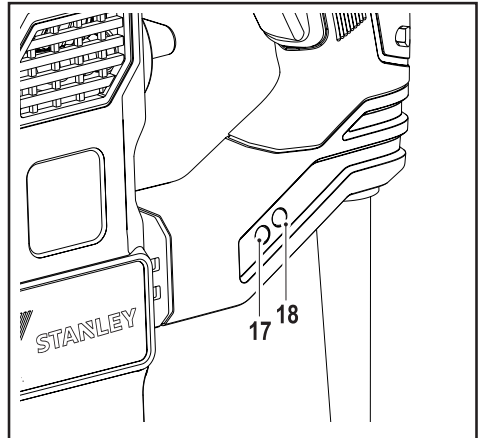
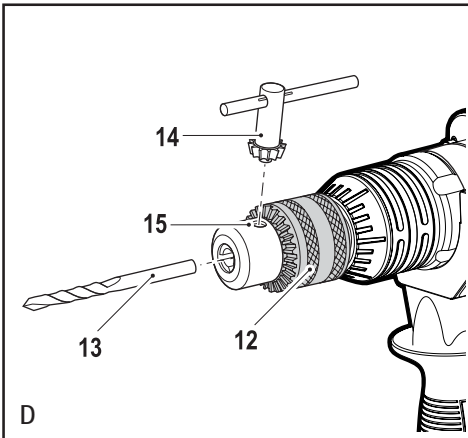
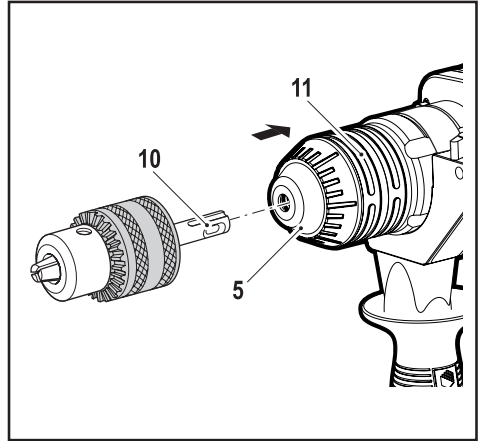
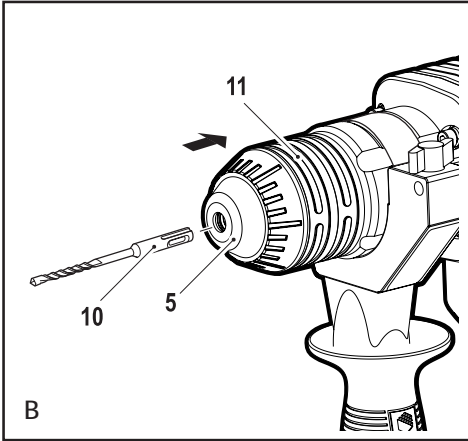
If your STANLEY product becomes defective due to faulty materials or workmanship within 24 months from the date of purchase, STANLEY Europe guarantees to replace all defective parts free of charge or – at our discretion – replace the unit free of charge provided that:

- The product has not been misused and has been used in accordance with the instruction manual.
- The product has been subject to fair wear and tear;
- Repairs have not been attempted by unauthorised persons;
- Proof of purchase is produced.
- The STANLEY product is returned complete with all original components

If you wish to make a claim, contact your seller or check the location of your nearest authorised STANLEY repair agent in the STANLEY catalogue or contact your local STANLEY office at the address indicated in this manual. A list of authorised STANLEY repair agents and full details of our after sales service is available on the internet at: www.stanleytools.com



A



Назначение

Перфоратор STANLEY специально разработан для сверления отверстий в дереве, металле, пластике и кирпичной кладке, и для завинчивания и легких долбежных работ. Инструмент предназначен только для бытового использования.

Указания по технике безопасности

Общие предупреждения по технике безопасности электроринструментов



Внимание! Ознакомьтесь со всеми правилами безопасности и инструкциями. Несоблюдение предупреждений и инструкций, указанных ниже, может привести к поражению электрическим током, пожару и/или серьезной травме.

Сохраните все предупреждения и инструкции для будущего использования.

Термин "электроринструмент" во всех предупреждениях, указанных ниже, относится к вашему сетевому (с кабелем) электроринструменту или аккумуляторному электроринструменту (без кабеля питания).

1. Безопасность рабочего места

- a. **Содержите рабочее место в чистоте и хорошо освещенным.** Беспорядок на рабочем месте или отсутствие освещения рабочего места может привести к аварии.
- b. **Не работайте с электроринструментом в месте хранения взрывоопасных материалов, например, в присутствии огнеопасных жидкостей, газов или пыли.** Электрические инструменты создают искры, которые могут воспламенить пыль или пары.
- c. **Дети и посторонние лица должны находиться как можно дальше во время работы с электроринструментом.** Вы можете отвлечься и потерять контроль.

2. Электробезопасность

- a. **Вилка электроринструмента должна соответствовать розетке. Никогда не модифицируйте вилку каким-либо образом. Не используйте никакие вилки-переходники с заземленными (замкнутыми на землю) электроринструментами.** Вилки и розетки, которые не подвергались никаким изменениям снижают риск поражения электрическим током.
- b. **Избегайте контакта тела с заземленными поверхностями, такими как трубы, радиаторы, плиты и холодильники.** Существует повышенный риск поражения электрическим током, если ваше тело заземлено.

- c. **Избегайте любого воздействия дождя или влаги на электроринструменты.** Вода, попавшая в электроринструмент, увеличивает риск поражения электрическим током.
- d. **Аккуратно обращайтесь со шнуром питания. Никогда не используйте шнур питания для переноски, перемещения или извлечения вилки из розетки. Держите шнур вдали от источников тепла, масла, острых краев или движущихся частей.** Поврежденные или запутанные шнуры увеличивают риск поражения электрическим током.
- e. **При работе с электроринструментом на улице, используйте удлинитель, подходящий для наружного использования.** Использование кабеля, пригодного для использования на открытом воздухе, снижает риск поражения электрическим током.
- f. **При необходимости работы с электроринструментом во влажной среде, используйте устройство защитного отключения (УЗО).** Использование УЗО снижает риск поражения электрическим током.

3. Личная безопасность

- a. **Будьте внимательны, смотрите, что вы делаете, используйте здравый смысл при работе с электроринструментом. Не используйте электроринструмент, если вы устали или находитесь под влиянием наркотиков, алкоголя или лекарств.** Малейшая неосторожность при работе с электроринструментом может привести к серьезным травмам.
- b. **Используйте средства индивидуальной защиты. Всегда надевайте защитные очки. Другое защитное оборудование, включая респиратор, ботинки на нескользящей подошве, защитный шлем или средства защиты органов слуха, используемые в надлежащих условиях, уменьшают риск получения травмы.**
- c. **Для предотвращения случайного запуска, убедитесь, что переключатель находится в выключенном положении перед подключением к источнику питания и/или аккумуляторной батарее, поднятия или переноски инструмента.** Не переносите электроринструмент с пальцем на выключателе и не включайте питание на инструмент с включенным выключателем, что может привести к несчастному случаю.
- d. **Перед включением электроринструмента снимайте регулировочный или гаечный ключ. Гаечный или регулировочный ключ, оставленный на вращающейся части электроринструмента, может привести к травме.**
- e. **Не тянитесь. Сохраняйте правильную стойку и баланс все время.** Это позволяет лучше контролировать инструмент в неожиданных ситуациях.

- f. Одевайтесь правильно. Не надевайте свободную одежду или украшения. Держите волосы, одежду и перчатки вдали от движущихся частей. Свободная одежда, украшения или длинные волосы могут попасть в движущиеся части.
- g. Если имеются устройства для подключения пылесборника или вытяжки, убедитесь в том, что они подсоединены и используются правильно. Использование пылесборника снижает вероятность возникновения рисков, связанных с пылью.
4. Использование и уход за электроинструментом
- a. Не перегружайте электроинструмент. Используйте подходящий электрический инструмент для соответствующего применения. Правильно подобранный электроинструмент позволит выполнить работу лучше и безопаснее при скорости, для которой он был разработан.
- b. Не используйте электроинструмент, если переключатель не может его включить и выключить. Любой электроинструмент, который нельзя контролировать с помощью переключателя, опасен и должен быть отремонтирован.
- c. Отключите кабель питания от источника питания и/или аккумуляторный блок от электрического инструмента перед выполнением любых регулировок, замены принадлежностей или при хранении электроинструмента. Такие профилактические меры безопасности уменьшают риск непреднамеренного запуска электрического инструмента.
- d. Храните неиспользуемые электроинструменты в недоступном для детей месте и не позволяйте лицам, не знакомым с электроинструментом или данными инструкциями, работать с электроинструментом. Электроинструменты опасны в руках неопытных пользователей.
- e. Поддержание электроинструмента. Проверяйте разрегулированность или соединение подвижных частей, полочки частей и любые другие условия, которые могут повлиять на работу электроинструмента. При наличии повреждения, отремонтируйте электроинструмент перед использованием. Многие несчастные случаи являются следствием плохого ухода за электроинструментом.
- f. Держите режущий инструмент острым и чистым. Хорошо ухоженный режущий инструмент с острыми режущими кромками легче контролировать.
- g. Используйте электроинструмент, аксессуары и насадки в соответствии с данными инструкциями, принимая внимание условия работы и те работы, которые должны быть выполнены. Использование электроинструмента для операций, отличающихся от тех, для которых он предназначен, может привести к опасной ситуации.

5. Обслуживание

- a. Обеспечьте, чтобы обслуживание и ремонт вашего электроинструмента проводился в авторизованном сервисном центре по ремонту с использованием только оригинальных запасных частей. Это станет гарантией безопасности электроинструмента.

Дополнительные указания по технике безопасности при работе с электроинструментом



Осторожно! Дополнительные указания по технике безопасности для перфораторов и отбойных молотков

- Используйте противошумовые средства. Воздействие шума может привести к потере слуха.
- Используйте дополнительные ручки, поставляемые с инструментом. Потеря контроля может привести к травме.
- Держите инструмент за изолированные поверхности захвата при выполнении операций, когда режущий инструмент может контактировать со скрытой проводкой или собственным кабелем. Режущая насадка, контактирующая с проводом под напряжением, может, подавая напряжение на незащищенные металлические части электроинструмента и привести к поражению оператора электрическим током.
- Никогда не используйте зубило в режиме вращения. В том случае, когда приспособление застрянет в материале, перфоратор начнет вращаться.
- Используйте зажимы или другой уместный способ закрепить и обезопасить обрабатываемую деталь на устойчивой платформе. При удержании детали руками или другими частями тела она остается неустойчивой, что может привести к потере контроля.
- Перед выполнением отверстий в стенах, полах или потолках проверьте расположение проводки и труб.
- Не прикасайтесь к режущей части сверла сразу после сверления отверстия, потому что она может быть горячей.
- Данный электроприбор не предназначен для использования лицами (включая детей) с ограниченными физическими, сенсорными или умственными способностями, или не обладающими опытом и знаниями, до тех пор, пока за ними не будет установлено наблюдение или не будут предоставлены инструкции по использованию электроприбора лицом, ответственным за их безопасность. Необходимо следить за тем, чтобы дети не играли с электроприбором.

- Назначение описано в руководстве по эксплуатации. При использовании любых насадок или приспособлений, или работе с этим инструментом, образом, отличным от рекомендованного в этом руководстве может возникнуть риск травмирования и/или нанесения ущерба имуществу.
- Если инструмент при работе может создавать пыль или мелкие отлетающие осколки, используйте маску для лица или респиратор.

Безопасность окружающих


- Данный электроприбор не предназначен для использования лицами (включая детей) с ограниченными физическими, сенсорными или умственными способностями, или не обладающими опытом и знаниями, до тех пор, пока за ними не будет установлено наблюдение или не будут предоставлены инструкции по использованию электроприбора лицом, ответственным за их безопасность.
- Необходимо следить за тем, чтобы дети не играли с инструментом.

Остаточные риски.

Дополнительные остаточные риски могут возникнуть при использовании инструмента, который не может быть включен в прилагающиеся указания по технике безопасности. Эти риски могут возникнуть при неправильной или продолжительной эксплуатации и т.д. Даже при соблюдении соответствующих правил техники безопасности и использовании предохранительных устройств некоторых остаточных рисков избежать невозможно. К ним относятся:

- Травмы, возникающие в результате касания любых вращающихся/движущихся частей.
- Травмы, возникающие при смене любых деталей, ножей или насадок.
- Травмы, вызванные продолжительной работой с инструментом. При работе с любым инструментом в течении длительного периода времени делайте регулярные перерывы в работе.
- Ухудшение слуха.
- Вред здоровью, причиненный вдыханием пыли, возникающей при работе инструмента (пример: работа с деревом, в особенности с дубом, буком и ДВП).









Электрическая безопасность

 Данный инструмент имеет двойную изоляцию, поэтому провод заземления не требуется. Всегда проверяйте соответствие напряжения питания сети напряжению, указанному на табличке с техническими данными.

- При повреждении шнура электропитания с целью устранения опасности он должен быть заменен производителем или авторизованным сервисным центром STANLEY.

Этикетки на инструменте

Этикетка на вашем инструменте может включать следующие символы:

	Читайте инструкции по эксплуатации	Gc Герц		Конструкция класса II
	Используйте средства защиты глаз	Вт Ватт		Терминал заземления
	Используйте средства защиты органов слуха	мин..... минуты		Символ предупреждения об опасности
			Переменный ток	обороты или возвратное поступательное движение в минуту
			Постоянный ток	
V	Вольт	n ₀	Скорость без нагрузки	
A	Ампер			

Положение даты штрих-кода

Дата кода, который также включает год изготовления, печатается на корпусе.

Пример:

2014 XX JN
 Год изготовления

Опции

Этот инструмент имеет некоторые или все из нижеперечисленных опций.

1. Кнопка включения/выключения
2. Регулятор скорости
3. Переключатель режима сверления
4. Переключатель режима работы
5. Патрон для крепления инструмента
6. Боковая ручка
7. Ограничитель глубины
8. Масленка

Сборка

Осторожно! Перед выполнением сборки удостоверьтесь в том, что инструмент выключен и отключен от сети электропитания.

Установка боковой ручки (рис. А)

- Вращайте рукоятку против часовой стрелки до тех пор, пока вам не удастся сдвинуть боковую ручку (6) на переднюю часть инструмента, как показано на рисунке.
- Вращайте боковую ручку в желаемое положение.
- Затяните боковую ручку, вращая рукоятку за часовой стрелкой.

Установка и настройка ограничителя глубины (рис. А)

- Ослабьте ручку (9).
- Вставьте ограничитель глубины (7) в монтажное отверстие согласно рисунку.
- Выберите желаемое положение ограничителя глубины (7). Максимальная глубина сверления равняется расстоянию между наконечником зубила и передним концом ограничителя глубины.
- Затяните ручку (9).

Установка насадки (рис. В - D)

- Очистите и смажьте стержень (10) насадки.
- Оттяните назад втулку (11) и вставьте стержень в держатель инструмента (5).
- Надавите на насадку в направлении вниз и слегка поверните ее, чтобы она установилась в пазы.
- Потяните насадку, чтобы проверить надежность ее установки и фиксации.

В связи с особенностями работы перфоратора насадка может перемещаться на несколько сантиметров по оси, будучи закрепленной в держателе инструмента.

- Для удаления оттяните назад втулку (11) и вытяните насадку.

Зажимной патрон (рис. D)

- Откройте патрон, вращая муфту (12) против часовой стрелки.
- Вставьте шток зубила (13) в патрон.
- Поочередно вставляйте ключ патрона (14) в каждое из отверстий (15) в боковой части патрона и вращайте по часовой стрелке до тех пор, пока патрон не будет затянут.

Использование

Осторожно! Позвольте инструменту работать в его собственном темпе. Не перегружайте его.

Осторожно! Перед сверлением отверстий в стенах, полах или потолках проверьте расположение проводки и труб.

Осторожно! Не включайте отбойник, когда инструмент находится в режиме сверления.

Выбор режима работы (рис. F)

Инструмент можно использовать в трех рабочих режимах.

- Для выбора режима сверления вращайте переключатель выбора режима (13) в необходимое положение, указанное соответствующими символами.
- Для выбора режима работы нажмите кнопку (16) для разблокировки переключателя выбора режима (4) и

вращайте его в необходимое положение, указанное соответствующими символами.

Сверление

- Для выполнения сверления в стали, дереве и пластике, а также для завинчивания установите переключатель режима работы (4) положение и переключатель режима сверления (3) положение.

Ударное сверление

- Для выполнения ударного сверления в кирпичной кладке и бетоне установите переключатель режима работы (4) положение и переключатель режима сверления (3) положение. При работе в режиме перфоратора, инструмент не должен отскакивать и работать непрерывно. При необходимости увеличьте скорость.

Работа в режиме перфоратора

- Для выполнения работы отбойным молотком с зажимом шпинделя, а также для легких долбежных работ и выполнения скальвания установите переключатель режима работы (4) положение и переключатель режима сверления (3) положение.
- При переходе от ударного сверления к долбежным работам поверните зубило в необходимое положение. Если во время изменения режима ощущается сопротивление, слегка поверните зубило, чтобы включить зажим шпинделя.

Включение и выключение

- Выберите требуемую скорость вращением ручки регулятора скорости (2).
- Для включения инструмента нажмите кнопку on/off (вкл./выкл.) (1).
- Для выключения инструмента повторно нажмите кнопку on/off (вкл./выкл.) (1).

Контроль состояния щеток (рис. E)

Инструмент содержит встроенную систему контроля состояния электрических щеток.

- Индикатор системы контроля состояния щеток зеленый (17). Щетки в хорошем состоянии.
- Индикатор системы контроля состояния щеток красный (18). Предупреждение о необходимости замены щеток. Отправьте инструмент в авторизованный сервисный центр STANLEY для замены щеток.

Насадки

Производительность вашего инструмента зависит от используемых насадок. Насадки STANLEY и Piranha разработаны с соответствием с самыми высокими стандартами качества и созданы для увеличения производительности вашего инструмента. Используя эти насадки вы получите максимум возможностей от своего инструмента.

Обслуживание

Ваш проводной/беспроводной электроприбор/инструмент Black & Decker создан для работы на протяжении длительного периода времени с минимальным техническим обслуживанием.

Продолжительная удовлетворительная работа зависит от должного ухода за инструментом и его регулярной чистки.

Осторожно! Прежде чем выполнить любое техническое обслуживание проводных/беспроводных электроинструментов:

- Выключите и отключите электроприбор/инструмент от сети.
- Регулярно очищайте вентиляционные отверстия электроприбора/инструмента/зарядного устройства при помощи мягкой кисточки или сухой ткани.
- Регулярно очищайте корпус двигателя при помощи влажной ткани. Не используйте абразивные чистящие средства или чистящие средства на основе растворителей.
- Регулярно открывайте патрон и простукивайте его для удаления пыли с его внутренних частей (при установке).

Замена вилки питания (только Великобритания и Ирландия)

Если необходимо установить новую вилку кабеля электропитания:

- Безопасно удалите старую вилку.
- Подключите коричневый провод к контакту фазы на новой вилке.
- Подключите синий провод к контакту нейтрали на новой вилке.

Осторожно! Контакт заземления подключать не нужно. Следуйте указаниям по монтажу, которыми снабжены вилки хорошего качества. Рекомендуемый предохранитель: 5 А.

Технические характеристики

		STHR323
Напряжение питания	U _{пер.}	220-240
Частота	Гц	50/60
Потребляемая мощность	Вт	1250
Ном. частота вращения	/мин	0-850
Частота ударов	/мин	0-4100
Энергия одного удара согласно ЕРТА-Procedure 05/2009	Дж	3,2
Вес	кг	5,4
Макс. диаметр сверления		
Бетон	мм	32
Сталь	мм	13
Дерево	мм	40

Защита окружающей среды



Раздельный сбор и утилизация. Этот продукт не следует утилизировать вместе с бытовым мусором.

Если вы поймете, что ваш продукт Stanley нуждается в замене, или если он не имеет никакого дальнейшего применения для вас, не выбрасывайте его вместе с бытовыми отходами. Предоставьте этот продукт для раздельного сбора/утилизации.



Раздельный сбор продуктов и упаковок позволяет осуществить их переработку и использовать их повторно. Повторное использование переработанных материалов помогает защищать окружающую среду от загрязнения и снижает расход сырьевых материалов.

Местное законодательство может обеспечить сбор старых электроинструментов отдельно от бытового мусора на муниципальных свалках отходов или в торговом предприятии при покупке нового изделия. Stanley обеспечивает возможность для сбора и утилизации продуктов Stanley, как только они достигли конца своего срока службы. Для того чтобы воспользоваться этой услугой, вы можете сдать ваше изделие в любой авторизованный сервисный центр, который собирает их по нашему поручению.

Вы можете узнать место нахождения вашего ближайшего авторизованного сервисного центра, обратившись в местное отделение Stanley по адресу, указанному в данном руководстве. Кроме того, список авторизованных ремонтных агентов Stanley и полную информацию о нашем послепродажном обслуживании и контактах вы можете найти в Интернете: www.2helpU.com10

Декларация о соответствии

директива по машинному оборудованию



STHR323

Stanley bu ürünlerin altında tarif edilmiş olan beyan "Teknik veriler" uygundur:

2006/42 / EC sayılı, EN 60745-1, EN 60745-2-6

Bu ürünler aynı zamanda Direktif ile uyumlu 2014/30 / AB ve 2011/65 / AB. Daha fazla bilgi için, lütfen Aşağıdaki adresten Stanley başvurun veya bakınız geri Kılavuzun.

İmzası derlenmesinden sorumludur
Teknik dosya ve adına bu beyanı yapar
STANLEY.

R.Laverick
Mühendislik Müdürü
STANLEY, Avrupa, Egide Walschaertsstraat14-18,
2800 Mechelen, Belçika
01,2015

Полная гарантия сроком на два года

Если ваш продукт STANLEY выходит из строя из-за дефектных материалов или изготовления в течение 24 месяцев с даты покупки, STANLEY Europe гарантирует замену всех неисправных деталей бесплатно или - по своему усмотрению - замену продукта бесплатно при условии, что:

- Продукт использовался правильно, его эксплуатация проводилась строго в соответствии с инструкцией по эксплуатации.
- Продукт подвергался естественному износу;
- Ремонт не проводился посторонними лицами;
- Представлены документы, подтверждающие покупку.
- Продукт STANLEY возвращается в полном комплекте со всеми оригинальными компонентами

Если вы хотите сделать заявку, свяжитесь с продавцом или узнайте место нахождения вашего ближайшего авторизованного сервисного агента Stanley в каталоге Stanley или обратитесь в местное представительство Stanley по адресу, указанному в данном руководстве. Список авторизованных сервисных агентов Stanley и полную информацию о нашем послепродажном обслуживании можно найти в Интернете по адресу: www.stanleytools.com

STANLEY

Гарантийные условия

Уважаемый покупатель!

1. Поздравляем Вас с покупкой высококачественного изделия STANLEY и выражаем признательность за Ваш выбор.
2. При покупке изделия требуйте проверки его комплектности и исправности в Вашем присутствии, инструкцию по эксплуатации и заполненный гарантийный талон на русском языке.

В гарантийном талоне должны быть внесены: модель, дата продажи, серийный номер, дата производства инструмента; название, печать и подпись торговой организации. При отсутствии у Вас правильно заполненного гарантийного талона, а также несоответствия указанных в нем данных мы будем вынуждены отклонить Ваши претензии по качеству данного изделия.

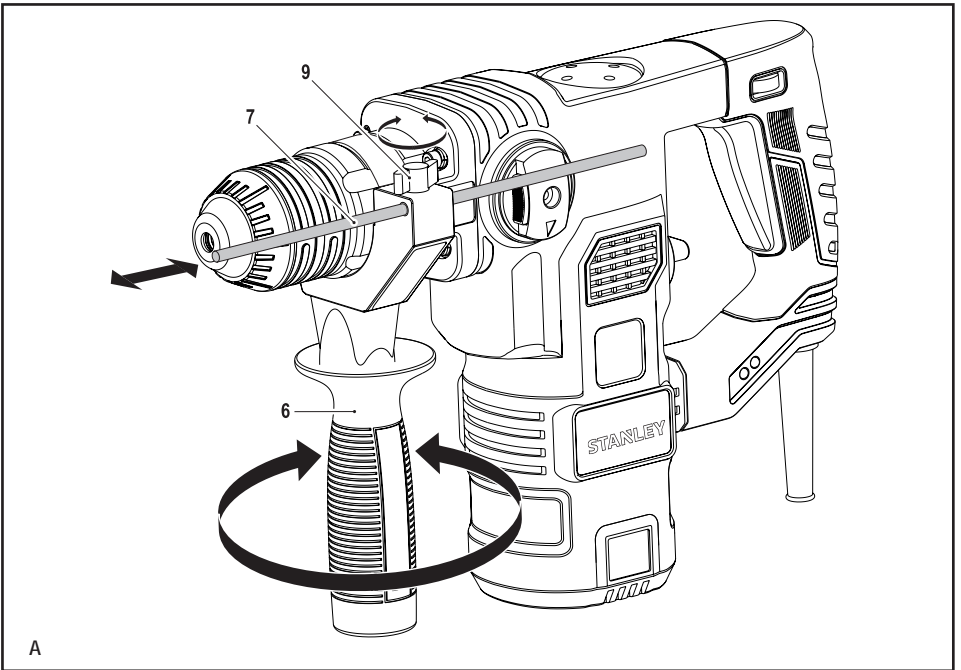
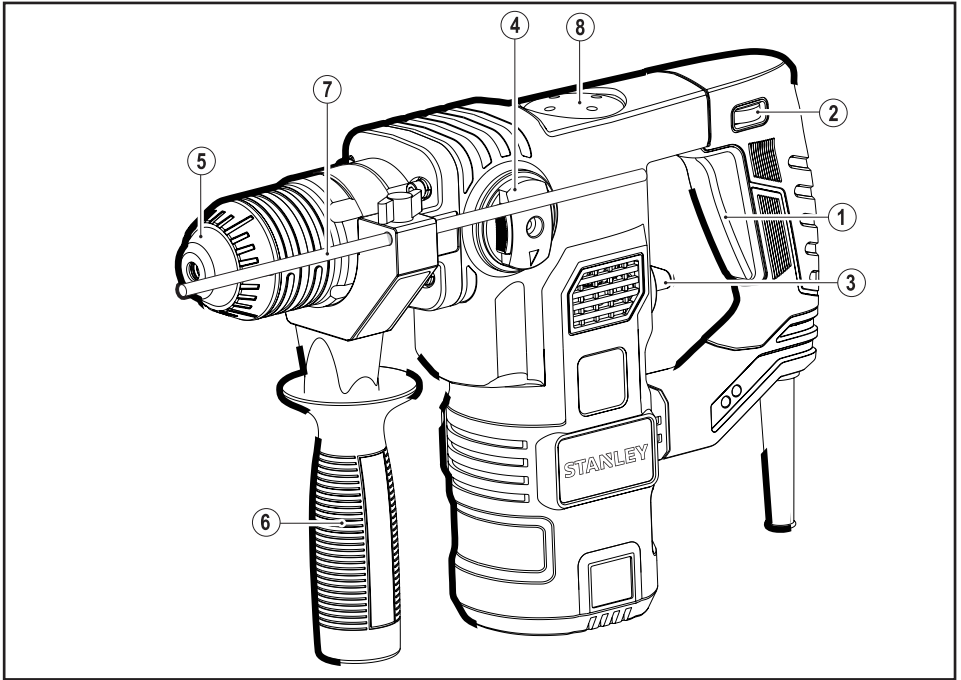
3. Во избежание недоразумений добродетельно просим Вас перед началом работы с изделием внимательно ознакомиться с инструкцией по его эксплуатации. Правовой основой настоящих гарантийных условий является действующее Законодательство. Гарантийный срок на данное изделие составляет 24 месяца и исчисляется со дня продажи. В случае устранения недостатков изделия, гарантийный срок продлевается на период его нахождения в ремонте. Срок службы изделия составляет 5 лет со дня продажи.
4. В случае возникновения каких-либо проблем в процессе эксплуатации изделия рекомендуем Вам обращаться только в уполномоченные сервисные центры STANLEY, адреса и телефоны которых Вы сможете найти в гарантийном талоне, на сайте www.2helpU.com или узнать в магазине. Наши сервисные станции - это не только квалифицированный ремонт, но и широкий ассортимент запчастей и принадлежностей.
5. Производитель рекомендует проводить периодическую проверку и техническое обслуживание изделия в уполномоченных сервисных центрах.



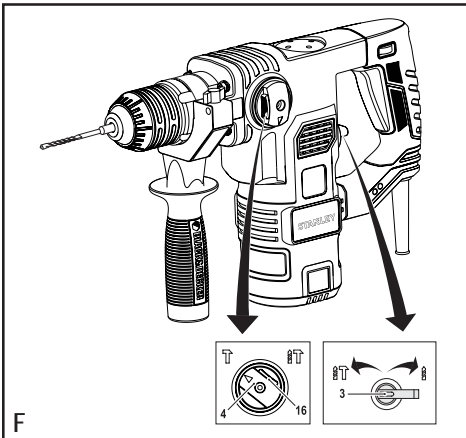
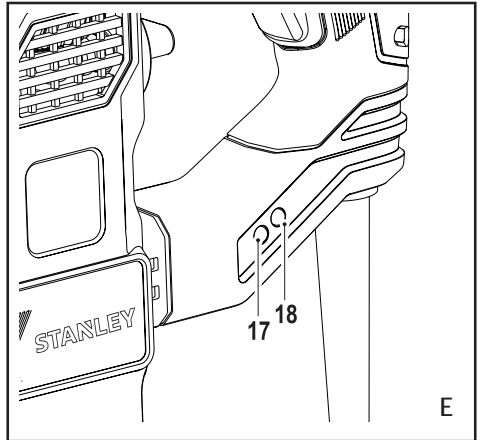
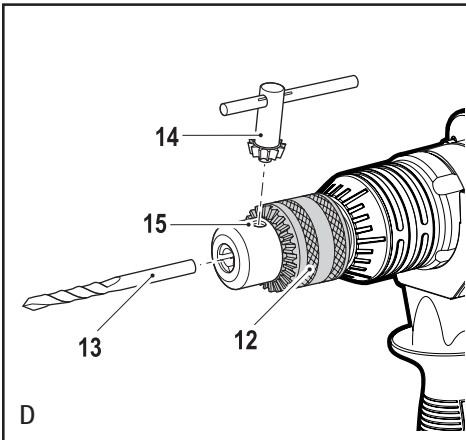
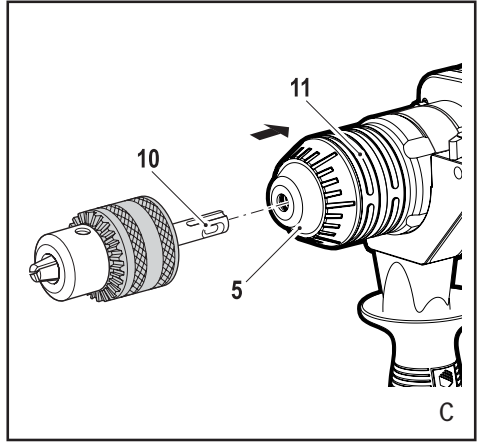
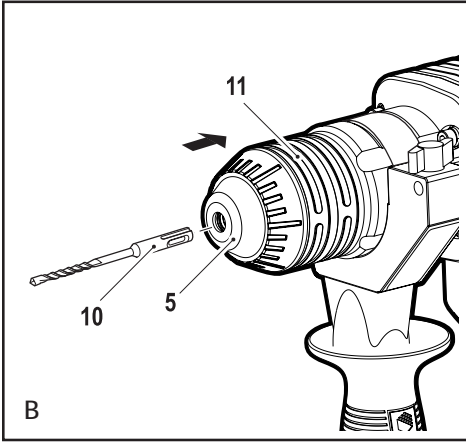
Изготовитель

Блэк энд Деккер Холдингс ГмбХ
Германия, 65510, Идштайн,
ул. Блэк энд Деккер, 40

6. Наши гарантийные обязательства распространяются только на неисправности, выявленные в течение гарантийного срока и вызванные дефектами производства и/или материалов.
7. **Гарантийные условия не распространяются на неисправности изделия, возникшие в результате:**
 - 7.1. Несоблюдения пользователем предписаний инструкции по эксплуатации изделия, применения изделия не по назначению, неправильному хранении, использования принадлежностей, расходных материалов и запчастей, не предусмотренных производителем.
 - 7.2. Механического повреждения (сколы, трещины и разрушения) внутренних и внешних деталей изделия, основных и вспомогательных рукояток, сетевого электрического кабеля, вызванного внешним ударным или любым иным воздействием
 - 7.3. Попадания в вентиляционные отверстия и проникновение внутрь изделия посторонних предметов, материалов или веществ, не являющихся отходами, сопровождающими применение изделия по назначению, такими как: стружка, опилки, песок, и пр.
 - 7.4. Воздействия на изделие неблагоприятных атмосферных или иных внешних факторов, таких как дождь, снег, повышенная влажность, нагрев, агрессивные среды, несоответствие параметров питающей электросети, указанных на инструменте.
 - 7.5. Стихийного бедствия. Повреждение или утрата изделия, связанное с непредвиденными бедствиями, стихийными явлениями, в том числе вследствие действия непреодолимой силы (пожар, молния, потоп и другие природные явления), а так же вследствие перепадов напряжения в электросети и другими причинами, которые находятся вне контроля производителя.
8. **Гарантийные условия не распространяются:**
 - 8.1. На инструменты, подвергавшиеся вскрытию, ремонту или модификации вне уполномоченного сервисного центра.
 - 8.2. На детали и узлы, имеющие следы естественного износа, такие как: приводные ремни и колеса, угольные щетки, смазка, подшипники, зубчатое зацепление редукторов, резиновые уплотнения, сальники, направляющие ролики, муфты, выключатели, бойки, толкатели, стволы, и т.п.
 - 8.3. На сменные части: патроны, цанги, зажимные гайки и фланцы, фильтры, аккумуляторные батареи, ножи, шлифовальные подошвы, цепи, звездочки, пильные шины, защитные кожухи, пилки, абразивы, пильные и абразивные диски, фрезы, сверла, буры и т.п.
 - 8.4. На неисправности, возникшие в результате перегрузки инструмента (как механической, так и электрической), повлекшей выход из строя одновременно двух и более деталей и узлов, таких как: ротора и статора, обеих обмоток статора, ведомой и ведущей шестерни редуктора или других узлов и деталей. К безусловным признакам перегрузки изделия относятся, помимо прочих: появление цветов побежалости, деформация или оплавление деталей и узлов изделия, потемнение или обугливание изоляции проводов электродвигателя под воздействием высокой температуры.



A



Призначення

Перфоратор STANLEY розроблений спеціально як для свердління отворів у дереві, металі, пластмасах та кладці, так і для закручування та легких довбальних робіт. Цей інструмент призначений лише для побутового використання.

Вказівки щодо техніки безпеки

Загальні попередження з техніки безпеки електроінструментів



Увага! Ознайомтеся з усіма правилами безпеки та інструкціями. Недотримання попереджень та інструкцій, зазначених нижче, може призвести до ураження електричним

струмом, пожежі та/або серйозної травми.

Збережіть всі попередження та інструкції для майбутнього використання.

Термін "електроінструмент" у всіх попередженнях, зазначених нижче, відноситься до мережевого (з кабелем) електроінструменту або акумуляторної батареї (без кабелю живлення).

1. Безпека робочого місця

- a. Утримуєте робоче місце в чистоті і добре освітленим. Безлад на робочому місці або відсутність освітлення робочого місця може призвести до аварії.
- b. Не працюйте з електроінструментом в місці зберігання вибухонебезпечних матеріалів, наприклад, у присутності легкозаймистих рідин, газів або пилу. Електричні інструменти створюють іскри, що можуть запалити пил або пари.
- c. Діти і сторонні особи повинні знаходитися якнайдалі під час роботи з електроприладами. Ви можете відволіктися і втратити контроль.

2. Електробезпека

- a. Вилка електроінструмента повинна відповідати розетці. Ніколи не змінюйте вилку будь-яким чином. Не використовуйте ніякі вилки-перехідники з заземленими (замкнутими на землю) електроінструментами. Вилки і розетки, які не піддавалися ніяким змінам знижують ризик ураження електричним струмом.
- b. Уникайте контакту тіла з заземленими поверхнями, такими як труби, радіатори, плити та холодильники. Існує підвищений ризик ураження електричним струмом, якщо ваше тіло заземлене.
- c. Уникайте будь-якого впливу дощу або вологи на електроінструменти. Вода, що потрапила в електроінструмент, збільшує ризик ураження електричним струмом.
- d. Обережно поводьтеся зі шнуром живлення. Ніколи не використовуйте шнур живлення для

перенесення, переміщення або вилучення вилки з розетки. Тримайте шнур подалі від джерел тепла, масла, гострих країв або рухомих частин. Пошкоджені або заплутані шнури збільшують ризик ураження електричним струмом.

- e. При роботі з електроінструментом на вулиці, використовуйте подовжувач, відповідний для зовнішнього використання. Використання кабелю, придатного для використання на відкритому повітрі, знижує ризик ураження електричним струмом.
 - f. При необхідності роботи з електроінструментом у вологому середовищі, використовуйте пристрій захисного відключення (ПЗВ). Використання ПЗВ знижує ризик ураження електричним струмом.
- ### 3. Особиста безпека
- a. Будьте уважні, дивіться, що ви робите, використовуйте здоровий глузд при роботі з електроприладами. Не використовуйте електроінструмент, якщо ви втомилися або перебуваєте під впливом наркотиків, алкоголю або ліків. Найменша необережність при роботі з електроінструментом може призвести до серйозних травм.
 - b. Використовуйте засоби індивідуального захисту. Завжди надягайте захисні окуляри. Інше захисне обладнання, включаючи респіратор, черевики на нековзній підшві, захисний шолом або засоби захисту органів слуху, використовувати в належних умовах, зменшать ризик отримання травми.
 - c. Для запобігання випадкового запуску, переконайтеся, що перемикач знаходиться у вимкненому положенні перед підключенням до джерела живлення та/або акумуляторної батареї, підняття або перенесення інструменту. Не переносьте електроінструмент з пальцем на вимикачі і не включайте електроживлення на інструмент з увімкненим вимикачем, що може призвести до нещасного випадку.
 - d. Перед включенням електроінструменту знімайте регульований або гайковий ключ. Гайковий або регульований ключ, залишений на обертовій частині електроінструменту, може призвести до травми.
 - e. Не тягніться. Зберігайте правильну стійку і баланс весь час. Це дозволяє краще контролювати інструмент в несподіваних ситуаціях.
 - f. Одягайтеся правильно. Не надягайте вільний одяг або прикраси. Тримайте волосся, одяг і рукавички далеко від рухомих частин. Вільний одяг, прикраси або довге волосся можуть потрапити в рухомі частини.
 - g. Якщо є пристрій для підключення пілозбірника або віяжки, переконайтеся в тому, що вони під'єднані і використовуються правильно. Використання пілозбірника знижує ймовірність виникнення ризиків, пов'язаних з пилом.

4. Використання та догляд за електроінструментом

- a. **Не перевантажуйте електроінструмент. Використовуйте відповідний електричний інструмент для відповідного застосування.** Правильно підібраний електроінструмент дозволить виконати роботу краще і безпечніше при швидкості, для якої він був розроблений.
 - b. **Не використовуйте електроінструмент, якщо перемикач не може його включити і вимкнути.** Будь-який електроінструмент, який не можна контролювати за допомогою перемикача, є небезпечний і повинен бути відремонтований.
 - c. **Від'єднайте кабель живлення від джерела живлення та/або акумулятора від електричного інструменту перед виконанням будь-яких регулювань, заміни приладдя або при зберіганні електроінструменту.** Такі профілактичні заходи безпеки зменшують ризик ненавмисного запуску електричного інструменту.
 - d. **Зберігайте електроприлади в недоступному для дітей місці і не дозволяйте особам, які не знайомі з електричним інструментом або даними інструкціями, працювати з електроприладами.** Електроінструменти небезпечні в руках недосвідчених користувачів.
 - e. **Підтримання електроінструменту. Перевіряйте разрегульованість або з'єднання рухомих частин, поломки частин і будь-які інші умови, які можуть вплинути на роботу електроінструменту. При наявності пошкодження, відремонтуйте електроінструмент перед використанням.** Багато нещасних випадків є наслідком поганого догляду за електроінструментом.
 - f. **Тримайте ріжучий інструмент гострим і чистим.** Добре доглянутий ріжучий інструмент з гострими ріжучими краями легше контролювати.
 - g. **Використовуйте електроінструмент, аксесуари та насадки відповідно до цих вказівок, приймаючи до уваги умови роботи і ті роботи, які повинні бути виконані.** Використання електроінструменту для операцій, які відрізняються від тих, для яких він призначений, може призвести до небезпечної ситуації.
- #### 5. Обслуговування
- a. **Забезпечте, щоб обслуговування і ремонт вашого електроінструменту проводився в авторизованому сервісному центрі по ремонту з використанням тільки оригінальних запасних частин.** Це стане гарантією безпеки електроінструменту.

- Користуйтеся захисними навушниками. Дія шуму може стати причиною втрати слуху.
- Використовуйте додаткові ручки, що поставляються разом з інструментом. Втрата контролю може спричинити травми.
- При виконанні операцій, під час яких ріжучий інструмент може контактувати з прихованими кабелями чи власним кабелем електроживлення тримайте електроінструмент за спеціальні ізольовані поверхні. При контакті ріжучого інструменту з кабелями, що знаходяться під напругою відкриті металеві частини електроінструменту також можуть опинитися під напругою та створювати небезпеку ураження електричним струмом.
- Ніколи не використовуйте зубило для перфорування в режимі обертання. У випадку застрягання насадки в матеріалі перфоратор почне обертатися.
- Використовуйте затискачі або ж інший придатний спосіб закріплення деталі на стійкій платформі, щоб зробити її безпечною. Коли деталь утримується руками або іншими частинами тіла, вона залишається нестійкою, що може спричинити втрату контролю.
- Перед свердлінням отворів в стінах, підлогах чи стелях перевірте розміщення кабелів та труб.
- Не торкайтеся наконечника робочого інструменту відразу після свердління отворів, тому що він може бути гарячим.
- Цей електроприлад не призначений для використання особами (включно з дітьми) з обмеженими фізичними, сенсорними чи розумовими здібностями, або тими особами, що не мають досвіду та знань, допоки за ними не буде встановлений нагляд, чи будуть надані інструкції з використання особою, що несе відповідальність за їх безпеку. Діти повинні бути під наглядом, щоб вони не гралися з електроприладом.
- Призначення описане в інструкції з використання. Використання будь-якого приладдя чи насадок, або робота з інструментом способом, відмінним від рекомендованого в даному посібнику може спричинити ризик травмування та/або нанесення збитків майну.
- У випадку, якщо під час роботи інструмент продукує пил та маленькі осколки, що розлітаються, використовуйте маску для обличчя або респіратор.

Безпека інших

- Цей електроприлад не призначений для використання особами (включно з дітьми) з обмеженими фізичними, сенсорними чи розумовими здібностями, або тими особами, що не мають досвіду та знань, допоки за ними не буде встановлений нагляд, чи будуть надані інструкції з використання особою, що несе відповідальність за їх безпеку.

Додаткові вказівки щодо техніки безпеки при роботі з електроінструментом



Обережно! Додаткові вказівки щодо безпеки при роботі з перфораторів та відбійних молотків

- Потрібно слідкувати за тим, щоб діти не гралися з електроприладом.

Залишкові ризики.

Додаткові залишкові ризики можуть з'явитися при використанні інструменту, що не може бути включений в обмежені міри безпеки. Ці ризики можуть з'являтися у випадку неналежної чи тривалої експлуатації ти ін. Навіть при дотриманні відповідних правил техніки безпеки та використанні запобіжних пристроїв деяких залишкових ризиків уникнути просто неможливо. До них відносяться:

- Травми, що виникли в результаті контакту з будь-якими деталями, що рухаються чи обертаються.
- Травми, що виникли під час заміни будь-яких деталей, ножів та насадок.
- Травми, викликані тривалою роботою з інструментом. При роботі з будь-яким інструментом впродовж тривалого періоду часу необхідно робити регулярні перерви.
- Зниження слуху.
- Шкідливий вплив на здоров'я внаслідок вдихання пилу, що продукується під час роботи інструменту (наприклад, обробка дерева, особливо дуба, бука та ДВП).

Безпека при роботі з електрообладнанням



В даному інструменті передбачена подвійна ізоляція, тому провід заземлення не потрібен.

- Завжди перевіряйте відповідність напруги мережі живлення напрузі, вказаній на табличці з технічними даними.
- В разі пошкодження кабеля електроживлення та з метою усунення небезпеки його необхідно замінити в представництві виробника або авторизованому сервісному центрі STANLEY.

Етикетки на інструменті

Етикетки на вашому інструменті можуть включати такі символи:

	Читайте інструкції з експлуатації	Гц Герц		Конструкція класу II
	Використовуйте засоби захисту очей	Вт Ватт		Термінал заземлення
	Використовуйте засоби захисту органів слуху	мин хвилини		Символ попередження про небезпеку
				обороти або зворотно поступальний рух в хвилину
V Вольт		Змінний струм		
A Ампер		Постійний струм		
		хв..		
		п ₀ Швидкість без навантаження		

Положення дати штрих-коду

Дата коду, який також включає рік виготовлення, друкується на корпусі.

Приклад:

2014 XX JN
Рік виготовлення

Опції

В цьому інструменті містяться деякі чи всі із вказаних елементів.

1. Кнопка вмикання/вимикання
2. Регулятор швидкості
3. Перемикач режиму свердління
4. Перемикач режиму роботи
5. Патрон кріплення інструменту
6. Бокова ручка
7. Обмежувач глибини
8. Маслянка

Збирання

Обережно! Перед виконанням збирання переконайтесь в тому, що інструмент вимкнений та відімкнений від розетки живлення.

Установка бічної ручки (рис. А)

- Обертайте рукоятку проти часової стрілки доти, доки вам не вдасться зсунути бічну ручку (6) на передню частину інструменту, як показано на малюнку.
- Поверніть бічну ручку в бажане положення.
- Затягніть бічну ручку, обертаючи рукоятку за годинниковою стрілкою.

Установка та налаштування обмежувача глибини (рис. А)

- Послабте ручку (9).
- Встановіть обмежувач глибини (7) в монтажний отвір, як зображено на малюнку.
- Встановіть бажане положення обмежувача глибини (7). Максимальна глибини свердління дорівнює відстані між кінцем зубила та переднім кінцем обмежувача глибини.
- Затягніть ручку(9).

Установка насадки (рис. В - D)

- Очистіть та змажте стрижень (10) насадки.

- Відтягніть назад втулку (11) та вставте стержень в тримач інструменту (5).
- Натисніть на насадку та злегка поверніть її для правильного встановлення в пази.
- Потягніть насадку, щоб перевірити надійність її встановлення та фіксації. В зв'язку з особливостями роботи перфоратора закріплена в тримачі насадка може рухатись в осьовому напрямку з амплітудою декілька сантиметрів.
- Для виконання демонтажу відтягніть назад втулку (11) та витягніть насадку.

Затискаючий патрон (рис. D)

- Відкрийте патрон, обертаючи муфту (12) проти годинникової стрілки.
- Встановіть стержень зубила (13) в патрон.
- По черзі встановлюйте ключ патрона (14) в кожен із отворів (15) що знаходяться на бічній поверхні патрона та обертайте за годинниковою стрілкою доти, доки патрон не буде затягнутий.

Використання

Обережно! Дайте інструменту працювати у власному ритмі. Не перевантажуйте його.

Обережно! Перед свердлінням отворів в стінах, підлогах чи стелях перевірте розміщення кабелів та труб.


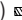
Обережно! Не вмикайте відбійник, коли інструмент знаходиться в режимі свердління.

Вибір режиму роботи (рис. F)


Інструмент можна використовувати в трьох робочих режимах.


- Для вибору режиму свердління повертайте перемикач вибору режиму (3) в потрібне положення, позначене відповідними символами.
- Для того, щоб вибрати режим роботи натисніть кнопку (16) розблокування перемикача вибору режиму (4) та повертайте його в потрібне положення, позначене відповідними символами.

Свердління

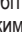
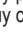
- Для виконання свердління в сталі, дереві та пластиках, а також для загвинчування встановіть перемикач режиму роботи (4)  положення і перемикач режиму свердління (3)  положення.

Відбійне свердління

- Для виконання відбійного свердління в цегляній кладці та бетоні встановіть перемикач режиму роботи (4)  положення і перемикач режиму

свердління (3)  положення. Під час роботи в режимі ударів інструмент не повинен відскакувати та працювати безперервно, разі необхідності збільшуйте швидкість.

Робота в режимі перфоратора

- Для виконання роботи відбійним молотком за допомогою затискача шпінделя, а також легких довальних робіт та сколювання встановіть перемикач режиму роботи (4)  положення та перемикач режиму свердління (3)  положення.
- При переході від ударного свердління до довальних робіт поверніть зубило в потрібне положення. Якщо під час зміни режиму відчувається опір - дещо поверніть зубило, щоб задіяти затискач шпінделя.

Ввімкнення та вимкнення

- Виберіть потрібну швидкість, повертаючи ручку регулювання швидкості (2).
- Для ввімкнення інструменту натисніть кнопку on/off (вкл./викл.) (1).
- Для вимкнення інструменту повторно натисніть кнопку on/off (вкл./викл.) (1).

Контроль стану щіток (рис. E)

Інструмент обладнаний вбудованою системою контролю стану електричних щіток.

- Якщо індикатор системи контролю щіток має зелений колір (17), то вони знаходяться в хорошому стані.
- Якщо індикатор системи контролю щіток має червоний колір (18), система попереджує про необхідність заміни щіток. Відправте інструмент в авторизований сервісний центр STANLEY для заміни щіток.

Насадки

Якість роботи вашого інструменту залежить від насадок, які ви використовуєте. Насадки STANLEY та Piranha розроблені у відповідності до найвищих стандартів якості та спроектовані для збільшення продуктивності роботи вашого інструменту. Використовуючи їх ви отримаєте максимальний результат.

Обслуговування

Ваш провідний/безпроводний електроприлад/інструмент Black & Decker спроектований для роботи протягом тривалого часу з мінімальним необхідним технічним обслуговуванням. Тривала задовільна робота інструменту залежить від правильного догляду за ним та його регулярного очищення.

Обережно! Перед виконанням будь-якого технічного обслуговування провідних/безпроводних електроінструментів:

- Вимкніть інструмент та від'єднайте електроприлад/інструмент.
- Регулярно очищуйте вентиляційні отвори електроприладу/інструменту/зарядного пристрою за допомогою м'якої щітки чи сухої тканини.
- Регулярно очищуйте корпус двигуна за допомогою вологої тканини. Не використовуйте абразивні миючі засоби та миючі засоби на основі розчинників.
- Регулярно відкривайте патрон та простукуйте його для видалення пилу з його внутрішніх частин (при установці).

Заміна вилки живлення (тільки для Великобританії та Ірландії)

Якщо необхідно встановити нову вилку кабелю електроживлення:

- Безпечно демонтуйте стару вилку.
- Під'єднайте коричневий провід до контакту фази нової вилки.
- Під'єднайте синій провід до контакту нейтралі нової вилки.

Обережно! Немає необхідності під'єднувати контакт заземлення.

Виконуйте вказівки виробника стосовно монтажу вилки хорошої якості. Рекомендований запобіжник: 5 А.

Технічні дані

STHR323		
Напруга живлення	U _ж	220-240
Частота	Гц	50/60
Потужність	Вт	1250
Ном. кількість обертів	/хв.	0-850
Частота ударів	/хв.	0-4100
Енергія одного удару згідно ЕРТА-Procedure 05/2009	Дж	3.2
Вага	кг	5.4
Макс. діаметр свердління		
Бетон	мм	32
Сталь	мм	13
Дерево	мм	40

Повна гарантія терміном на два роки



Роздільний збір і утилізація. Цей продукт не слід утилізувати разом з побутовим сміттям.

Якщо ви зрозумієте, що ваш продукт Stanley потребує заміни, або якщо він не має ніякого подальшого застосування для вас, не викидайте його разом з побутовими відходами. Надайте цей продукт для роздільного збору/утилізації.



Роздільний збір продуктів і упаковок дозволяє здійснити їх переробку і використати їх повторно. Повторне використання перероблених матеріалів допомагає захищати довкілля від забруднення і знижує витрату сировинних матеріалів.

Міське законодавство може забезпечити збір старих електроінструментів окремо від побутового сміття на муніципальних звалищах відходів або в торговому підприємстві при купівлі нового виробу. Stanley забезпечує можливість для збору і утилізації продуктів Stanley, як тільки вони досягли кінця свого терміну служби. Для того, щоб скористатися цією послугою, ви можете здати ваш виріб у будь-який авторизований сервісний центр, який збирає їх за нашим дорученням.

Ви можете упізнати місце знаходження вашого найближчого авторизованого сервісного центру, звернувшись в місцеве відділення Stanley за адресою, вказаною в цьому керівництві. Крім того, список авторизованих ремонтних агентів Stanley і повну інформацію про наше післяпродажне обслуговування і контакти ви можете знайти в Інтернеті: www.2helpu.com10

Декларація про відповідність

Директива по машинному обладнанню



STHR323

STANLEY заявляє, що ці продукти описано в розділі "Технічні дані" відповідно до: 2006/42 / EC, EN 60745-1, EN 60745-2-6

Ці продукти також відповідають Директиві 2014/30 / EC та 2011/65 / EC. Для отримання більш детальної інформації, будь ласка, зв'язатися STANLEY за адресою або зверніться до Задня частина керівництва.

Нижчепідписаний несе відповідальність за складання технічних даних і робить цю заяву від імені Стенлі.

R.Laverick
головний інженер
STANLEY, Європа, Egide Walschaertsstraat14-18,
2800 Мехелен, Бельгія
01,2015

Два рік повної гарантії

Якщо ваш продукт STANLEY виходить з ладу із-за дефектних матеріалів або виготовлення впродовж 24 місяців з дати купівлі, STANLEY Europe гарантує заміну усіх несправних деталей безкоштовно або - на власний розсуд - заміну продукту безкоштовно за умови, що:

- Продукт використовувався правильно, його експлуатація проводилася строго відповідно до інструкції з експлуатації.
- Продукт піддавався звичайному зносу;
- Ремонт не проводився сторонніми особами;
- Представлені документи, що підтверджують купівлю.
- Продукт STANLEY повертається в повному комплекті з усіма оригінальними компонентами

Якщо ви хочете зробити заяву, зв'яжіться з продавцем або з'ясуйте місце знаходження вашого найближчого авторизованого сервісного агента Stanley в каталозі Stanley або зверніться в місцеве представництво Stanley за адресою, вказаною в цьому посібнику. Список авторизованих сервісних агентів Stanley і повну інформацію про наше післяпродажне обслуговування можна знайти в Інтернеті за адресою: www.stanleytools.com

STANLEY

Гарантійні умови

Шановний покупець!

1. Вітаємо Вас з покупкою високоякісного виробу STANLEY і висловлюємо вдячність за Ваш вибір.
2. При покупці виробу вимагайте перевірки його комплектності і справності у Вашій присутності, інструкцію з експлуатації та заповнений гарантійний талон українською мовою

В гарантійному талоні повинні бути внесені: модель, дата продажу, серійний номер, дата виробництва інструменту; назва, печатка і підпис торгової організації. За відсутності у Вас правильно заповненого гарантійного талону, а також при невідповідності зазначених у ньому даних ми будемо змушені відхилити Ваші претензії щодо якості даного виробу.

3. Щоб уникнути непорозумінь, переконливо просимо Вас перед початком роботи з виробом уважно ознайомитися з інструкцією з його експлуатації. Правовою основою справжніх гарантійних умов є чинне Законодавство. Гарантійний термін на даний виріб складає 24 місяці і обчислюється з дня продажу. У разі усунення недоліків виробу, гарантійний строк продовжується на період його перебування в ремонті. Термін служби виробу становить 5 років з дня продажу.
4. У разі виникнення будь-яких проблем у процесі експлуатації виробу рекомендуємо Вам звертатися тільки в уповноважені сервісні центри STANLEY, адреси та телефони яких Ви зможете знайти в гарантійному талоні, на сайті www.2helpU.com або дізнатися в магазині. Наші сервісні станції - це не тільки кваліфікований ремонт, але і широкий асортимент запчастин і аксесуарів.
5. Виробник рекомендує проводити періодичну перевірку і технічне обслуговування виробу в уповноважених сервісних центрах.
6. Наші гарантійні зобов'язання поширюються тільки на несправності, виявлені протягом гарантійного терміну і викликані дефектами виробництва та \ або матеріалів.
7. Гарантійні умови не поширюються на несправності виробу, що виникли в результаті:
 - 7.1 Недотримання користувачем приписів інструкції з експлуатації виробу, застосування виробу не за призначенням, неправильного зберігання, використання приладдя, витратних матеріалів і запчастин, що не передбачені виробником.
 - 7.2 Механічного пошкодження (відколи, тріщини і руйнування) внутрішніх і зовнішніх деталей виробу, основних і допоміжних рукояток, мережевого кабелю, що викликані зовнішнім ударним або будь-яким іншим впливом

- 7.3 Потрапляння у вентиляційні отвори та проникнення всередину виробу сторонніх предметів, матеріалів або речовин, що не є відходами, які супроводжують застосування виробу за призначенням, такими як: стружка, тирса, пісок, та ін.
- 7.4 Впливу на виріб несприятливих атмосферних і інших зовнішніх факторів, таких як дощ, сніг, підвищена вологість, нагрівання, агресивні середовища, невідповідні параметрів електромережі, що зазначені на інструменті.
- 7.5 Стихійного лиха. Пошкодження або втрати виробу, що пов'язані з непередбаченими лихами, стихійними явищами, у тому числі внаслідок дії непереборної сили (пожежа, блискавка, потоп і інші природні явища), а також внаслідок перепадів напруги в електромережі та іншими причинами, які знаходяться поза контролем виробника.
8. Гарантійні умови не поширюються:
 - 8.1 На інструменти, що піддавалися розкриттю, ремонту або модифікації поза уповноваженим сервісним центром.
 - 8.2 На деталі, вузли та матеріали, що мають сліди природного зносу, такі як: приводні реміні і колеса, вугільні щітки, мастило, підшипники, зубчасті зчеплення редукторів, гумові ущільнення, сальники, направляючі ролики, муфти, вимикачі, бойки, штовхачі, стволи тощо.
 - 8.3 На змінні частини: патрони, цанги, затискні гайки і фланці, фільтри, акумулятори батареї, ножі, шліфувальні підшови, ланцюги, зірочки, пильні шини, захисні кожухи, пилки, абразиви, пильні і абразивні диски, фрези, свердла, бури тощо
 - 8.4 На несправності, що виникли в результаті перевантаження інструменту (як механічного, так і електричного), що спричинили вихід з ладу одночасно двох і більше деталей і вузлів, таких як: ротора і статора, обох обмоток статора, веденої і ведучої шестерень редуктора або інших вузлів і деталей. До безумовних ознак перевантаження виробу відносяться, крім інших: поява кольорів мінливості, деформація або оплавлення деталей і вузлів виробу, потемніння або обуглювання ізоляції проводів електродвигуна під впливом високої температури.



Виробник:

"Stanley Black & Decker Deutschland GmbH" Black-&-Decker Str.40, D-65510 Idstein, Німеччина

Names & Addresses for STANLEY Service Concessionaries - MIDDLE EAST & AFRICA

ALGERIA: Sarl Outillage Corporation, 08 Rue Med Boudiaf - Cheraga - Algiers, Algeria. Tel: (213-21) 375130, Fax: (213-21) 369667. **ANGOLA:** Angoferraria, Lda., Rua Robert Shields, No. 61, Luanda, Angola. Tel: 00244-222-395837 / 222-395034, Fax: 00244-222-394790. **AZERBAIJAN:** Royalton Holdings Ltd. 41 Khagani St. Apt. 47 AZ 1001, Baku. Tel: (994-12) 4935544, Fax: (994-12) 5980378. **BAHRAIN:** Kavalani & Sons W.L.L., P.O. Box 71, Sitra, Manama. Tel: (973) 17732888, Fax: (973) 17737379. Alfouz Services Co. W.L.L., P.O. Box 26562, Tubli, Manama. Tel: (973) 17783562, Fax: (973) 17783479. **EGYPT:** El Farab S.A.E., 15-Nabil El Wakkad Street, Dokki, Giza, Egypt. Tel: 00202-37603946 / 002-010-2582544, Fax: 00202-33352796. **ETHIOPIA:** Seif Tewfik Sherif, Arada Sub-City, Kebele 01/02, Global Insurance Building, 2nd Floor, Room 43, P.O. Box 2525, Addis Ababa, Ethiopia. Tel: (251-11) 1563968/ 1563969, Fax: (251-11) 1558009. **IRAQ:** Financial Links, Kazazz Building Arasat Al-Hindia Block No: 629 Street: 31Building No: 1 Baghdad - Iraq. Tel: 00964 (0)780 195 2223/ 00964 (0)781 3763044. Al Sard Co. for General Trading Ltd. Jbara Bldg. 3Flr, Al Rasheed St. Bagdad. Tel: (964) 18184102. Sakhar Group, Arrasat al-hindya Al Masha'ab, Bagdad. (964) 7400144446. **JORDAN:** Palestine Intl. Mattl. (Bashiti Hardware), 93 King Abdullah 2nd Street, Opp. ELBA House, P.O. Box 3005, Amman 11953, Tel: (962-6) 5349098, Fax: (962-6) 5330731. **KENYA:** Dextron Tools Ltd., P.O. Box 20121-00200, Shariff House, Kimathi Street, Nairobi. Tel: (254-20) 6905000/ 2358021, Fax: (254-20) 6905111/ 6905112. **KUWAIT:** Al Omar Technical Co., P.O. Box 4062, 13041 Safat, Kuwait. Tel: (965) 24848595/ 24840039, Fax: (965) 24845652. Fawaz Al Zayani Establishment, P.O. Box 42426, Shop No. 18, Al Humaizi Commercial Complex, Khalifa Al Jassim, Shuwaikh, Kuwait. Tel: (965) 24828710, Fax: (965) 24828716. Fawaz Al Zayani Establishment, P.O. Box 42426, Shop No.18, Al Humaizi Commercial Complex, Khalifa Al Jassim, Shuwaikh, Kuwait. Tel: (965) 24828710, Fax: (965) 24828716. Fawaz Al Zayani Establishment, Fahaeel Industrial Area, Main St., Sanaya, Kuwait. Tel: (965) 23925830, Fax: (965) 24828716. **LEBANON:** Est. Shaya & Azar S.A.R.L., Boulevard Jdeideh - Mar Takla - Bouchrieh P.O. Box 90545 Jdeideh,Beirut - Lebanon, Tel: 00961 1 872305 / 306 , Fax: 00961 1 872303. **LIBYA:** North Africa Trading (El Ghoul Brothers), AlHilal Service Center Tawergha St. Misurata, Tel: 00218-091-3221408. (**Benghazi**) Snydel st., Amr Ibn EL-As Rd. Tel: (+218) 92 5771120. (**Tripoli**) Al Barniq Service Center Mokhazin elskar st., ElFallah. Tel: (+218) 21 4808019. (**Misrata**) Al Hilal Service Center, Tawergha st. Tel: (+218) 51 2626734. **MAURITIUS:** Robert Le Marie Limited, Old Moka Road, Bell Village, P.O. Box 161, Port Louis, Tel: 00230-212 1865/ 212 2847, Fax: 00230-2080843. **MOROCCO:** Ets Louis Guillaud & Cie, 149, Quartier Industriel, Moulay Rachid, Casablanca, Postal Code 20450, Morocco, Tel: 00212-522729233, Fax: 00212-522729096. **NIGERIA:** Meridian Power Tools Ltd., Gr.Floor, #1 Alhaji Masha Rd, Next toTeslim Balogun Stadium, Near National Stadium Surulere, Lagos, Nigeria, Tel: 00234-17740431 / 7740410, Fax: 00234-1-7913798. **OMAN:** Al Jizzi Company LLC, P.O. Box 1704,PC 112 Ruwi, Oman, Tel: (968) 24832618 / 24835153, Fax: (968) 24831334/24836460. Al Hassan Technical & Construction Supplies Co. LLC, P.O. Box 1948, P.C. 112, Ruwi, Tel: (968) 24810575 / 24837054, Fax: (968) 24810287/ 24833080. Oman Hardware Co. LLC, P.O. Box 635, Ruwi Postal Code 112, Te: (968) 24815131, Fax: (968) 24816491. Khimji Ramdas, P.O. Box 19, Post Code 100, Ghala, Muscat, Oman. Tel: (968) 24595906/ 907, Fax: (968) 24852752. Oman Marketing & Service Co. (Omasco), P.O. Box 2734, Behind Honda Showroom, Wattayah, Oman. Tel: (968) 24560232/ 24560255, Fax: (968) 24560993. Oman Marketing & Service Co. (Omasco), Al Ohi, Sohar, Oman. Tel: (968) 26846379, Fax: (968) 26846379. Oman Marketing & Service Co. (Omasco), Sanaya, Salalah, Oman. Tel: (968) 23212290, Fax: (968) 23210936. **PAKISTAN:** ZIT Co - Nasir & Bros., 2nd Floor, Qadr Center, Chowk Dalgran Railway Road, Lahore, Pakistan, Tel: 0092 42 37670839, Fax: 0092 42 37652989. Ammar Service & Spares, 60-Bank Arcade, Serai Road, Karachi, Pakistan. Tel: (92-21) 32426905, Fax: (92-21) 32427214. **QATAR:** Teyseer Industrial Supplies & Services Co. W.L.L, 55, Al Wakalat St. (Between St. 18 & 19) Salwa Industrial Area, P.O. Box 40523 Doha,Qatar, Te: (974) 44581536, Fax: (974) 44682024. Shaheen Electrical Works & Trading Co. W.L.L, Gate 34, St. 44 Industrial Area, P.O. Box 9756, Doha, Tel: (974) 44600230 / 44600525, Fax: (974) 44601338. Al Mufthah Service Centre, Al Wakrah Road, P.O. Box 875, Doha,Qatar, Tel: (974) 44650880/ 44650110/ 44446868, Fax: (974) 44441415 / 44662599. **SAUDI ARABIA: (Al Bahr)** Mohamed Ahmed Bin Afif Est., P.O. Box 530, Yanbu, Al Bahr. Tel: (966-4) 3222626/ 3228867, Fax: (966-4) 3222210. (**Al Khobar**) Fawaz Ebrahim Al Zayani Trading Est., P.O. Box 76026, Al Khobar # 31952, Tel: (966-3) 8140914, Fax: (966-3) 8140824. MSS (Al-Mojil Supply & Services) P.O. Box 450, Jubail 31951, Opp. Gulf Bridge Library & Riyadh House. Tel: (966-3) 3612850/ 3624487/ 3621729, Fax: (966-3) 3623589/ 3620783. (**Dammam**) MSS (Al-Mojil Supply & Services), P.O. Box 450, Jubail 31951.Opp-Gulf Bridge Library & Riyadh House. Tel: (966-3) 3612850 / 3624487 / 3621729, Fax: (966-3) 3623589 / 3620783. Al Bawardi Tools & Hardware, P.O. Box 112, Dammam, Tel: (966-3) 8330780 Ext.24 / 8348585 Ext. 24 / +966-3-8335555, Fax: (966-3) 8336303. (**Al Hassa**) Mutawa Trading & Gen. Services, Maliki road Hafuf city, Al Hassa, KSA. Tel: (966) 502846275 (**Jeddah**) Al Bawardi Tools & Hardware, P.O. Box 16905, Jeddah 21474, Tel: (966-2) 6444547 / 6439035 / 6456095, Fax: (966-2) 6439024. EAC (Al Yousef Contg. & Trdg. Est.), P.O. Box 30377, Jeddah -21477, Tel: (966-2) 6519912, Fax: (966-2) 6511153. (**Madina**) Garziz Trading for Bldg Mat & Decoration, P.O. Box 3364, Madina, Tel: (966-4) 826 14 90 / 8227636, Fax: (966-4) 8265741. (**Riyadh**) Industrial Material Organization (IMO), P.O. Box 623, Rail Street ,Riyadh, Tel: (966-1) 4028010 Ext 26 / 8001245757, Fax: (966-1) 4037970. Sultan Garment Factory (RSC), P.O. Box 29912, Riyadh 11467, KSA, Tel: (966-1) 4055148 / 4042889, Fax: (966-1) 4055148. Al Bawardi Tools & Hardware, P.O. Box 68, Riyadh 11411, Tel: (966-1) 4484999, Fax: (966-1) 4487877. (**Yanbu**) Fawaz Ebrahim Al Zayani, Opposite to Al Fouzan, Jeddah highway or King Abdul Aziz road, Yanbu. Tel: (966-4) 3960980, Fax: (966-4) 3961980. Mohamed Ahmed Bin Afif Est., P.O. Box 530, Yanbu, Al Bahr, Tel: (966-4) 3222626/ 3228867, Fax: (966-4) 3222210. **SOUTH AFRICA:** Stanley Black & Decker - RSA, 199 Winde Drive Stormill Ext 9 Roodepoot, Tel: (271) 472 0454, Fax: (2711) 472 0482. Trencor Power Tool Service 14 Steenbok Street, Koedoespoort, 0186, Pretoria, South Africa. Tel: (27-86) 1873826, Fax: (27-86) 5001771. **TANZANIA:** General Motors investment Ltd., P.O. Box 16541, 14 Nyerere Road, Vingunguti, Dar-es-Salaam. Tel: (255 22) 2862661/ 2865022, Fax: (255 22) 2862667. **TUNISIA:** Societe Tunisienne De Maintenance (STM), Rue de la Physique, Nouvelle Zone Industrielle Ben Arous., 2013 Ben Arous, Tunisia. Tel: (+216) 79 389867, Fax: (+216) 71 385154. **UAE: (Abu Dhabi)** Light House Electrical, P.O. Box 120, Abu Dhabi, Tel: (971-2) 6726131, Fax: (971-2) 6720667. Galaxy Equipment Trading, Madinah Zayed (Baada Zaid), Abu Dhabi P.C. 58910, Tel: (971-2) 8844279, Fax: (971-2) 8844297 (**Ajman**) Al Sukoon Gen. Trdg. Co. LLC, P.O. Box 2975, Ajman, Tel: (971-6) 7435725 / 7438317, Fax: (971-6) 7437350, Al Sukoon Gen. Trdg. Co. LLC, P.O. Box 2975, Ajman, Tel: (971-6) 7435725 / 7438317, Fax: (971-6) 7437350 (**Ai Ain**) Zillion Equipment and Spare Parts Trading LLC, P.O. Box 19740, Opp. Bin Sadal/ Trimix Redymix Sanaiya, Al Ain, Tel: (971-3) 7216690, Fax: (971-3) 7216103. (**Dubai**) Black & Decker (Overseas) GmbH, P.O. Box 5420, Dubai, Tel: (971-4) 8127400/ 8127406, Fax: (971-4)2822765. Ideal Star Workshop Eqpmt.Trading LLC, P.O. Box 37116, Al Quoz, Dubai, Tel: (971-4) 3474160, Fax: (971-4) 3474157, Fine Tools, P.O.Box 30139, Al Quoz, Dubai, Tel: (971-4) 3385240, Fax: (971-4) 3385239. Alebrah Engineering Service, P.O. Box 78954, Al Qusais , Dubai, Tel: (971-4) 2850044, Fax: (971-4) 2844802. (**Musaffah**) Light House Electrical, P.O. Box 120, Abu Dhabi, Tel: (971-2) 5548315, Fax: (971-2) 5540461. (**Sharjah**) Mc Coy Middle East LLC, P.O. Box 25793, Sharjah, Tel: (971-6) 5395931, Fax: (971-6) 5395932. Burj Al Madeena, Industrial Area No.1, Opp. Pakistani Masjid, P.O. Box 37635, Sharjah, Tel: (971-6) 5337747, Fax: (971-6) 5337719. Burj Al Madeena , Industrial Area No 1, opp Pakistani Masjid P.O. Box 37635, Sharjah, Tel: (971-6) 5337747, Fax: (971-6) 5337719 (**Ras Al Khaimah**) Mc Coy Middle East LLC, P.O. Box 10584, Ras Al Khaimah, Tel: (971-7) 2277095, Fax: (971-7) 2277096. **UGANDA:** The Building Center (U) Ltd., 52 Station Road, Kitgum House, P.O. Box 7436, Kampala, Uganda. Tel: (256-41) 4234567/ 4259754, Fax: (256-41) 4236413. **YEMEN: (Aden)** Middle East Trad. Co. Ltd. (METCO), Mualla Dakka, Aden, Yemen. Tel: (967-2) 222670, Fax: (967-2) 222670. (**Sana'a**) Middle East Trad. Co. Ltd. (METCO), Hayel St., Sana'a, Yemen. Tel: (967-1) 204201, Fax: (967-1) 204204. (**Taiz**) Middle East Trading Co. (METCO), P.O. Box 12363, 5th Flr, Hayel Saeed Anam Bldg, Al-Mugamma St. Taiz, Yemen. Tel: (967-4) 213455, Fax: (967-4) 219869.