

## DIGITUS® 483 mm (19") Wall Mounting Cabinets - SoHo, unmounted



✓ 1.1 - 1.5 mm strong sheet steel

✓ Safety class IP 20

✓ Unmounted flat pack version

✓ Large range of equipment available

### Abstract

DIGITUS® 483 mm (19") Wall Mounting Cabinets - SoHo, unmounted, 540 mm width - 400 mm depth

### Features

- Safety class rating IP 20
- Lockable safety-glass door
- 200° door opening angle
- 1-point-locking-mechanism on the front door
- 483 mm (19") profile rails mounted on the front side inside of the cabinet, galvanized
- 483 mm (19") profile rails are adjustable in depth
- Load capacity of 483 mm (19") profile rails: 60 kg
- 1.1 - 1.5 strong sheet steel with a high loading capacity, powder coated
- Cable entry with brush strip on the top and with plastic cover on the base
- Roof is prepared for fan units (punched out entries)
- Ventilation slots for active and passive ventilation and exhausting
- Standard color: Grey (RAL 7035) and black (RAL 9005)
- Extensive range of equipment available

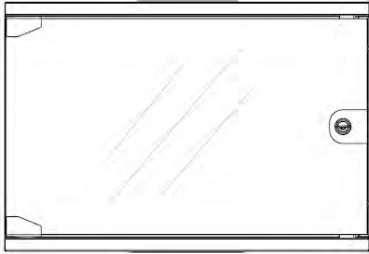
### Product Overview

The unmounted SoHo Wall Mounting Cabinets are made of a robust sheet steel construction with a minimum of seams. The enclosures are special designed to save a lot of space and costs while delivery due to the flat packaging. It is fast and easy to mount the cabinet. Due to their flexibility the cabinets are ideal for all current IT and telecommunication applications.

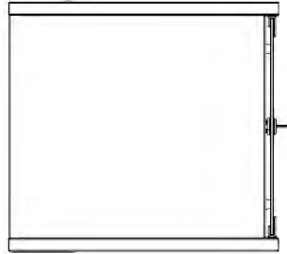
### Product Number Information

Item code	Height units (U)	HxWxD in mm	Color	Net weight in kg
DN-19 07U-S-1	7U	370x540x400 mm	Grey (RAL 7035)	10.6 kg
DN-19 07-U-S-SW	7U	370x540x400 mm	Black (RAL 9005)	10.6 kg
DN-19 09-U-S-1	9U	460x540x400 mm	Grey (RAL 7035)	12.0 kg
DN-19 09-U-S-SW	9U	460x540x400 mm	Black (RAL 9005)	12.0 kg
DN-19 12-U-S-1	12U	595x540x400 mm	Grey (RAL 7035)	15.0 kg
DN-19 12-U-S-SW	12U	595x540x400 mm	Black (RAL 9005)	15.0 kg

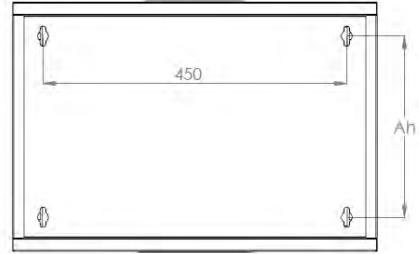
Technical Drawings



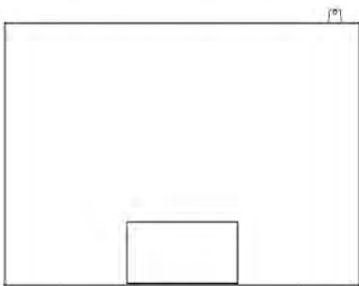
FRONT VIEW



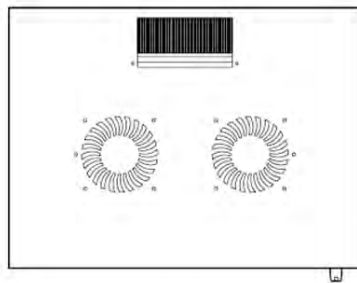
SIDE VIEW



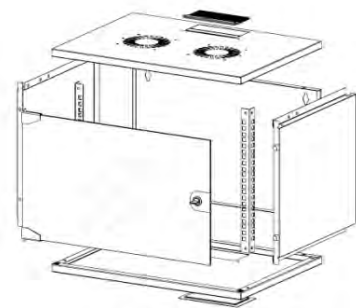
REAR VIEW



BOTTOM VIEW

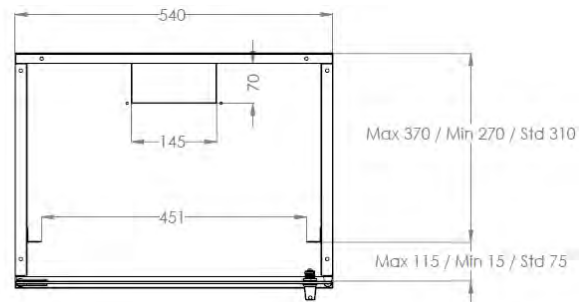


TOP VIEW



EXPLODED VIEW

MAX/STD/MIN  
EQUIPMENT  
MOUNTING DISTANCE



FRONT DOOR  
OPENING ANGLE

