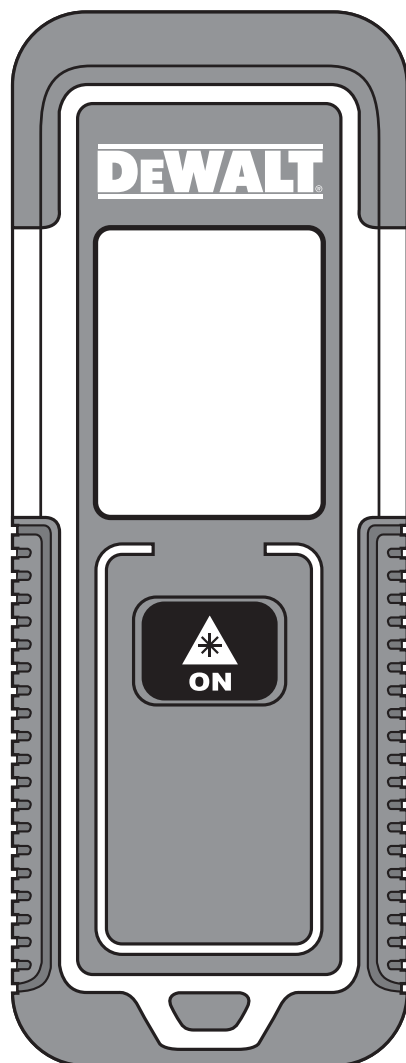


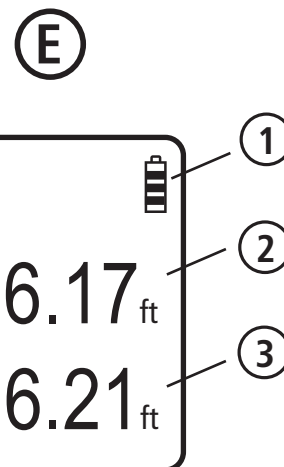
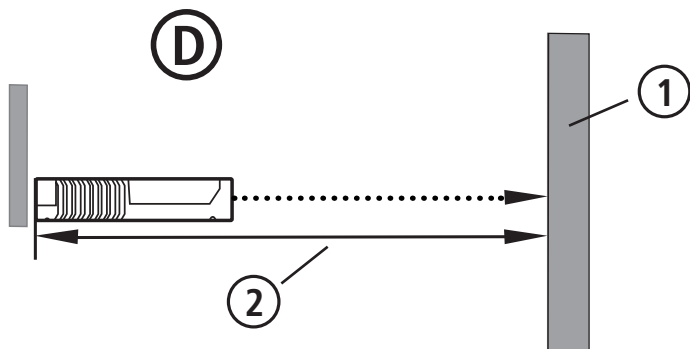
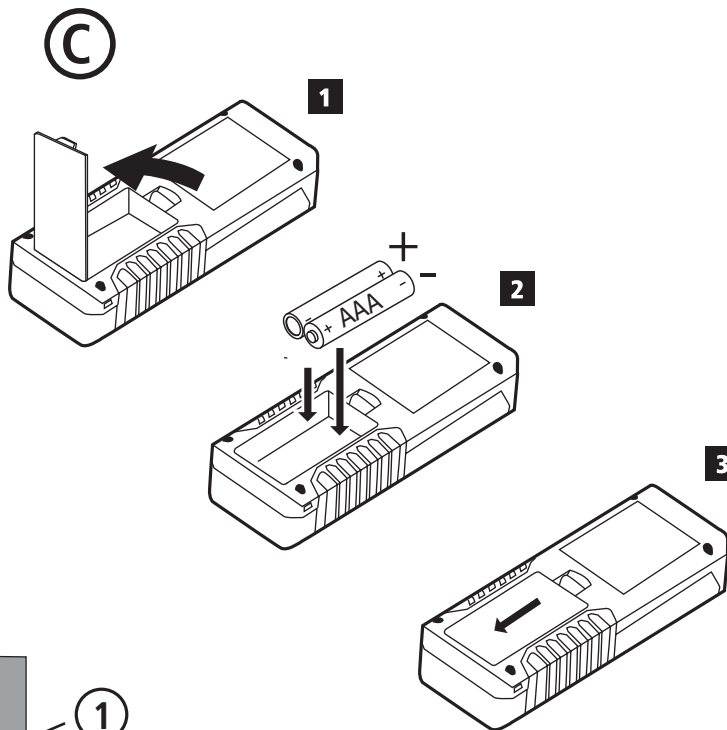
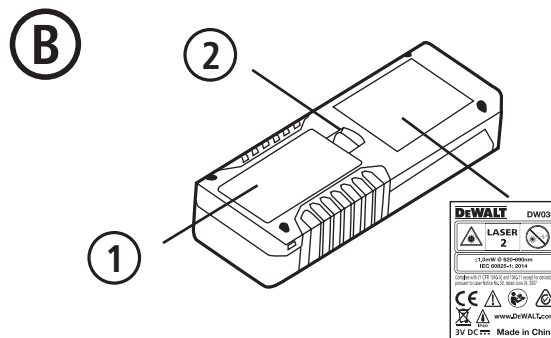
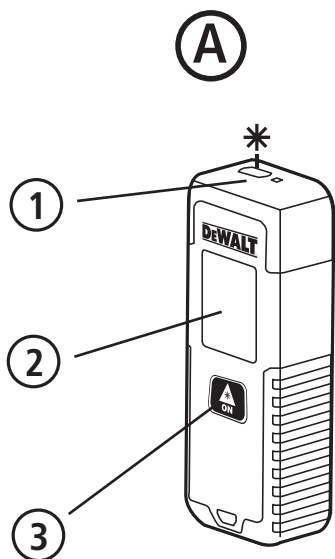


# DW033 / DW055E

## User Manual



# Figures



# Contents

- User Safety
- Battery Safety
- Setup (Load Batteries)
- Operation
- Specifications
- Warranty
- Error Codes

Retain all sections of this manual for future reference.

## User Safety



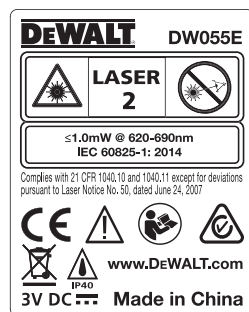
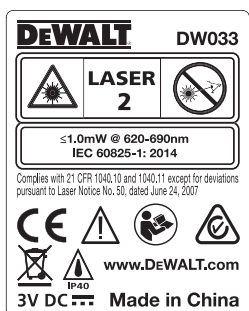
### WARNING:

Carefully read the Safety Instructions and Product Manual before using this product. The person responsible for the instrument must ensure that all users understand and adhere to these instructions.



### WARNING:

The following label information is placed on your laser tool to inform you of the laser class for your convenience and safety.



The DW033 and DW055E tools emit a visible laser beam, as shown in Figure A. The laser beam emitted is Laser Class 2 per IEC 60825-1 and complies with 21 CFR 1040.10 and 1040.11 except for deviations pursuant to Laser Notice No. 50, dated June 24, 2007.



### WARNING:

While the laser tool is in operation, be careful not to expose your eyes to the emitting laser beam (red light source). Exposure to a laser beam for an extended time period may be hazardous to your eyes. Do not look into the beam with optical aids.



**WARNING:** To reduce the risk of injury, user must read the Product User manual, Laser Safety, and Battery Safety manuals.

### FCC Compliance

This device complies with Part 15 of the FCC Rules. Operation is subject to the following two conditions: (1) This device may not cause harmful interference, and (2) this device must accept any interference received, including interference that may cause undesired operation.

### FCC Statement

This equipment has been tested and found to comply with the limits for a Class B digital device, pursuant to part 15 of the FCC rules. These limits are designed to provide reasonable protection against harmful interference in a residential installation. This equipment generates, uses, and can radiate radio frequency energy and, if not installed and used in accordance with the instructions, may cause harmful interference to radio communications. However, there is no guarantee that interference will not occur in a particular installation. If this equipment does cause harmful interference to radio or television reception, which can be determined by turning the equipment off and on, the user is encouraged to try to correct the interference by one or more of the following measures:

- Reorient or relocate the receiving antenna.
- Increase the separation between the equipment and the receiver.
- Connect the equipment into an outlet on a different circuit (not the circuit to which the receiver is connected).
- Consult the dealer or an experienced radio/TV technician for help.

### Canada, Industry Canada (IC) Notices

Class B digital circuitry of this device complies with Canadian ICES-003. This device complies with Industry Canada license-exempt RSS standard(s). Operation is subject to the following two conditions: (1) this device may not cause interference, and (2) this device must accept any interference, including interference that may cause undesired operation of the device.

Under Industry Canada regulations, the radio transmitter(s) in this device may only operate using an antenna of a type and maximum (or lesser) gain approved for the transmitter by Industry Canada. To reduce potential radio interference to other users, the antenna type and its gain should be so chosen that the equivalent isotropically radiated power (e.i.r.p.) is not more than that necessary for successful communication.

DeWalt, Slough, Berkshire SL1 3YD, UK herewith declares that the product DW033 / DW055E is in compliance with the essential requirements and all other provisions of Directive 1999/5/EC. Please contact DeWalt for DoC.

## Battery Safety



**WARNING:** Batteries can explode or leak and can cause injury or fire. To reduce the risk:

**ALWAYS** follow all instructions and warnings on the battery label and package.

**DO NOT** short any battery terminals.

**DO NOT** charge alkaline batteries.

**DO NOT** mix old and new batteries. Replace all of them at the same time with new batteries of the same brand and type.

**DO NOT** mix battery chemistries.

**DO NOT** dispose of batteries in fire.

**ALWAYS** keep batteries out of reach of children.

**ALWAYS** remove batteries if the device will not be used for several months.

**NOTE:** Ensure that the recommended batteries are used.



**NOTE:** Ensure the batteries are inserted in the correct manner, with the correct polarity.

## Setup (Load Batteries)

1. Locate the battery compartment latch on the back of the tool (Figure B #2).
2. Using your finger, pull the latch down to unlock and remove the battery door (Figure C #1).
3. Insert two AAA batteries, making sure to position the - and + ends of each battery as noted inside the battery compartment (Figure C #2).
4. Slide the pins at the bottom of the battery door into the notches in the battery compartment (Figure C #3), and push the door down until it snaps into place.


When the tool is ON, the battery level appears in the display window (Figure E #1).


## Operation

1. Point the laser at the top of the tool (Figure A #1) toward the wall whose distance you need to measure (Figure D #1).
2. Click  (Figure A #3) to display a laser dot on the wall (Figure D #1) and measure the distance from the bottom of the tool to the wall (Figure D #2).
3. At the bottom of the display window (Figure A #2), view the current measurement (Figure E #3), which will keep changing as you move the tool (in Continuous Measure mode).
4. When the bottom of the tool is positioned at the correct distance from the wall, click  to take the current measurement on the display window (Figure E #3).

## Changing the Unit of Measure


Once the current measurement is taken, you can change the unit of measure from decimal ft (6.21 ft) to fractional ft (6'02"9/16), fractional ft to meters (1.894 m), meters to inches (74 9/16 in), or inches to decimal ft.

To change the unit of measurement, press and hold  until you see the measurement change (2-3 seconds).

**NOTE:** If you continue to hold  after the measurement changes, the tool will turn off.


## Re-measuring

If you need to take a new measurement, click .

- The previous measurement (Figure E #2) will appear above the new current measurement (Figure E #3).
- When you are ready to take the new current measurement, click .

## Turning Off the Tool

The tool can be turned off in either of these ways:

- Press and hold  for 4 seconds (until the display window clears).
- If you do not use the tool for 180 seconds, it will automatically turn off.

# Specifications

**E**

	DW055E	DW033
Range	7in to 50ft (17.5cm to 15m)	7in to 100ft (17.5cm to 30m)
Measuring Accuracy*	Typically $\pm 1/8$ in ( $\pm 3.0$ mm)*	
Resolution	1/16in (1mm)	
Laser Class:	Class 2 (IEC/EN60825-1: 2014)	
Laser Wavelength	620-690nm, Power < 1mW	
Auto Power Switch-off	After 180s	
Battery Life (2 x AAA)	Up to 3000 Measurements	
Dimension (H x D x W)	4.68 x 1.73 x 1.10in (115 x 44 x 25mm)	
Weight (with Batteries)	3.21oz (100g)	
Storage Temperature Range	14° F ~ 140° F (-10° C ~ +60 C)	
Operating Temperature Range	32° F ~ 104° F (0° C ~ +40° C)	
<p>*Measuring Accuracy depends on the current conditions:</p> <ul style="list-style-type: none"><li>• Under <b>favorable</b> conditions (good target surface and room temperature) up to 33ft (10m).</li><li>• Under <b>unfavorable</b> conditions (bright sunlight, a very weak reflecting target surface, or large temperature fluctuations), the error can increase by <math>\pm 0.003</math> in/ft (<math>\pm 0.25</math> mm/m) for distances over 33ft (10m).</li></ul>		

## Three Year Limited Warranty

DeWALT will repair, without charge, any defects due to faulty materials or workmanship for three years from the date of purchase. This warranty does not cover part failure due to normal wear or tool abuse. For further detail of warranty coverage and warranty repair information, visit [www.DeWALT.com](http://www.DeWALT.com) or call 1-800-4-DeWALT (1-800-433-9258). This warranty does not apply to accessories or damage caused where repairs have been made or attempted by others. This warranty gives you specific legal rights and you may have other rights which vary in certain states or provinces.

In addition to the warranty, DeWALT tools are covered by our:

### 1 YEAR FREE SERVICE

DeWALT will maintain the tool and replace worn parts caused by normal use, for free, any time during the first year after purchase.

### 90 DAY MONEY BACK GUARANTEE

If you are not completely satisfied with the performance of your DeWALT Power Tool, Laser, or Nailer for any reason, you can return it within 90 days from the date of purchase with a receipt for a full refund - no questions asked.

**RECONDITIONED PRODUCT:** Reconditioned product is covered under the 1 Year Free Service Warranty. The 90 Day Money Back Guarantee and the Three Year Limited Warranty do not apply to reconditioned product.

**FREE WARNING LABEL REPLACEMENT:** If your warning labels become illegible or are missing, call 1-800-4-DeWALT or visit your local service center for a free replacement.

## Error Codes

Code	Description	Corrective Action
---	Received Signal Too Weak or Measuring Time Too Long	Use a target plate or change the target surface.
---	Received Signal Too High	The target is too reflective. Use a target plate or change the target surface.
---	Too Much Background Light	Reduce the background light on the target area.
---	Laser Beam Interrupted	Remove any obstacles in the path of the laser beam and repeat the measurement.
---	Insufficient Battery	Replace the two AAA batteries.
301	Temperature Too High	Allow the TLM to cool down to a temperature within the specified <b>Operating Temperature Range</b> .
	Temperature Too Low	Allow the TLM to warm up to a temperature within the specified <b>Operating Temperature Range</b> .
401	Hardware Error	Switch the TLM on and off several times. If the hardware error still does not clear, return it to a Service Center or distributor.