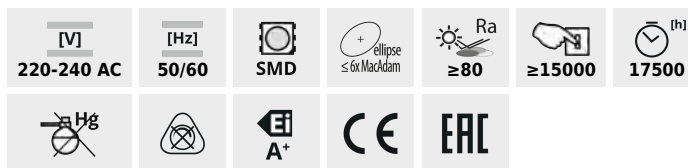


BILO HI LED

LED light source



BILO HI 8W E14-WW

BILO HI 8W E14-WW	26762	8	60	800	3000	210	E14
BILO HI 8W E14-NW	26763	8	60	800	4000	210	E14
BILO HI 8W E27-WW	26764	8	60	800	3000	210	E27
BILO HI 8W E27-NW	26765	8	60	800	4000	210	E27

Kanlux BILO HI ensures durability which was obtained thanks to innovative LED SMD technology and ceramic housing. All Kanlux BILO HI models are characterised by high luminous efficiency since they emit light of 800 lm beam at 8W power consumption. These sources with E14 screw and “ball” shape are perfect for sconces and chandeliers in all places where aesthetics and large amounts of light at low power are important.

- Material: ceramics
- Lampshade material: plastic

BILO HI LED

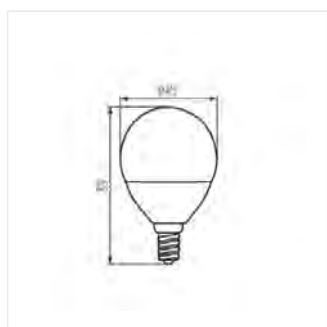
LED light source



BILO HI 8W E14



BILO HI 8W E27



BILO HI 8W E14



BILO HI 8W E27